

WARNING: Read this Manual , and any Supplements Carefully Before Operating Vehicle.

- Assembly
- Operation
- Maintenance

THIS VEHICLE IS NOT DESIGNED FOR USE ON RENTAL TRACKS OR RACING

OWNER'S/OPERATOR'S MANUAL

22.0b

M210

BEFORE OPERATING THIS VEHICLE, THE OWNER AND EACH OPERATOR MUST HAVE READ AND HAVE AN UNDERSTANDING OF ALL THE INSTRUCTIONS FOR PROPER ASSEMBLY AND SAFE OPERATION, AS WELL AS THE INSTRUCTIONS CONCERNING THE ENGINE AND ALL OTHER PORTIONS OF CEHICLE.

CONTENTS

1. INTRODUCTION
2. UNDERSTANDING WARNING
3. SAFETY WARNING
4. DAILY PRE-RIDE INSPECTION
5. OPERATION WARNING
6. V.I.N
7. CONTROL AND FUCTIONS
8. STARTING THE ENGINE
9. VEHICLE BREAK-IN PERIOD
10. RIDING GEAR
11. RIDING
12. CVT SYSTEM
13. BATTERY
14. EXHAUST SYSTEM
15. MAINTENANCE
16. TROUBLE SHOOTING
17. TOOLS
18. SPECIFICATION
19. WIRING DIAGRAM

1. Introduction

Congratulations on the purchase of your ALL Terrain Vehicle (ATV). We take pride in offering you this product engineered and manufactured to the highest performance and quality standards. We are sure that you will enjoy superior levels of performance, reliability, riding comfort, and safety.

This manual is provided to help the owner and operators of this ATV become familiar with the operating characteristic, and the many features offered on the ATV. The manual also covers information on the care and maintenance of your ATV.

Please read this manual carefully. The information contained in this Owner's Manual, the Warning Labels supplied with this product will help your ATV. Make sure that you understand and follow all Warnings and Instructions in this material.

If you did not receive any of the material listed above, please call your dealer and request to have them sent to you.

Important Safety Notice

Never make any modifications to the engine, drive system, mechanical or electrical systems of your ATV. Never install after market parts or accessories intended to increase the speed or power of your ATV.

Failure to follow these warnings increases the possibility of accidents leading to **DEATH** or **SERIOUS INJURY!**

Additionally, failure to follow these requirements will void the Warranty on your ATV.

Practice Responsible ATV Riding

Make sure that you understand and follow all local, state/province, and federal/national riding laws and requirements.

Remember.....Respect your vehicle, respect the environment and respect the property of others. You are responsible for your safety and the safety of others around you when you ride!

AN ATV CAN BE HAZARDOUS TO OPERATE. An ATV handles differently from other vehicles including motorcycles and cars. A collision rollover can occur quickly, even during routine maneuvers such as turning and driving on hills or over obstacles, if you fail to take proper precautions.

SERIOUS INJURY OR DEATH can result if you do not follow these instruction.

- Read this manual and all labels carefully and follow the operating procedures described.
- Never operate an ATV without proper instruction. Take a training course. Beginners should receive training from a certified instructor. Contact an authorized ATV dealer to find out about the training courses nearest you.
- Never permit a child whose age is under 16 to operate this ATV. Read this manual and all product labels, and completed a certified training course, before operation.
- Always avoid operating an ATV on any paved surfaces, including sidewalks, driveways, parking lots and streets.
- Never operating an ATV without wearing an approved helmet that fits properly. You should also wear eye protection (goggles or face shield), gloves, boots, long-sleeved shirt or jacket, and long pants.
- Never consume alcohol or drugs before or while operating this ATV.
- Never operate at excessive speeds. Always travel at a speed which is proper for the terrain, visibility and operating conditions, and your experience.
- Never attempt wheelies, jumps or other stunts.
- Always inspect your ATV each time you use it to make sure it is in safe operating condition, always follow the inspection and maintenance procedures and schedules described in this manual.
- Always keep both hands on the handlebars and both feet on the footrests of the ATV during operation.
- Always go slowly and be extra careful when operating on

unfamiliar terrain. Always be alert to changing terrain conditions when operating the ATV.

- Never operate on excessively rough, slippery or loose terrain.
- Always follow proper procedures for turning as described in this manual. Practice turning at low speeds before attempting to turn at faster speeds. Do not turn at excessive speed.
- Always have the ATV checked by an authorized dealer if it has been involved in an accident.
- Never operate ATV on hills too steep for the ATV or for your abilities. Practice on smaller hills before attempting larger hills.
- Always follow proper procedures for climbing hills as described in this manual. Check the terrain carefully before you start up any hill. Never climb hills with excessively slippery or loose surface. Shift your weight forward. Never open throttle suddenly. Never go over the top of any hill at high speed.
- Always follow proper procedures for going down hills and for braking on hills as described in this manual. Check the terrain carefully before you start down any hill. Shift your weight backward. Never go down a hill at high speed. Avoid going down a hill at an angle which would cause the vehicle to lean sharply to one side. Go straight down the hill where possible.
- Always follow proper for crossing the side of a hill as described in this manual. Avoid hills with excessively slippery or loose surfaces. Shift your weight to the up side of the ATV. Never attempt to turn the ATV around on any hill until you have mastered the turning technique described in this manual on level ground. Avoid crossing the side of a steep hill if possible.
- Always use proper procedures if you stall or roll backwards when climbing a hill. To avoid stalling, maintain a steady speed when climbing a hill. If you stall or roll backwards, follow the special procedure for braking described in this manual. Dismount on the uphill side or to either side if pointed straight uphill. Turn the ATV around and remount, following the procedure described in this manual.
- Always check for obstacles before operating in a new area.

Never attempt to operate over large obstacles, such as large rocks or fallen trees. Always follow proper procedures when operating over obstacles as described in this manual.

- Always be careful of skidding or sliding. On slippery surfaces, such as ice, go slowly and be very cautious in order to reduce the chance of skidding or sliding out of control.
- Avoid operating the ATV through deep or fast flowing water. Avoid water which exceeds the recommended maximum depth, go slowly, balance your weight carefully avoiding sudden movements, maintain a slow and steady forward motion, do not make sudden turns or stops, and do not make sudden throttle changes.
- Wet brakes may have reduced stopping ability. Test your brakes after leaving water. If necessary apply them lightly several times to let friction dry out the pads and the linings.
- Always use the size and type tires specified in this manual. Always maintain proper tire pressure as described in this manual.
- Never modify an ATV through improper installation or use of accessories
- Never exceed the stated load capacity for an ATV.

2. UNDERSTANDING WARNINGS

ATTENTION:

This VEHICLE is not a toy. This VEHICLE is ONLY for the rider who is 16 years old or more. BEFORE OPERATION, PARENT AND CHILD MUST READ AND UNDERSTAND WARNINGS AND OWNER'S MANUAL.

KNOW YOUR VEHICLE BEFORE YOU

BEGINNING RIDING!

Read this manual thoroughly referring to the various areas which are being discussed on your machine. Operating this vehicle carries with it responsibilities for your personal safety, the safety of others, and the protection of our environment.

NOTE: Illustrations used in this manual are for general representation only. Your model may differ.

2. UNDERSTANDING WARNINGS

SAFETY ALERT

WARNINGS identify special instructions or procedures which, if not correctly followed, could result in personal injury, or loss of life. Read all **WARNINGS** in this manual carefully. Follow their instructions to remain safe.

The following precautionary signal words are used throughout this manual to convey the following messages:



This is the safety alert symbol. When you see this symbol on your machine or in this manual, be alert to the potential for personal injury. Your safety is involved!



WARNING

Indicates a potential hazard which could result in severe injury or death.



CAUTION

Indicates a potential hazard which may result in minor personal injury or damage to the ATV.

CAUTION

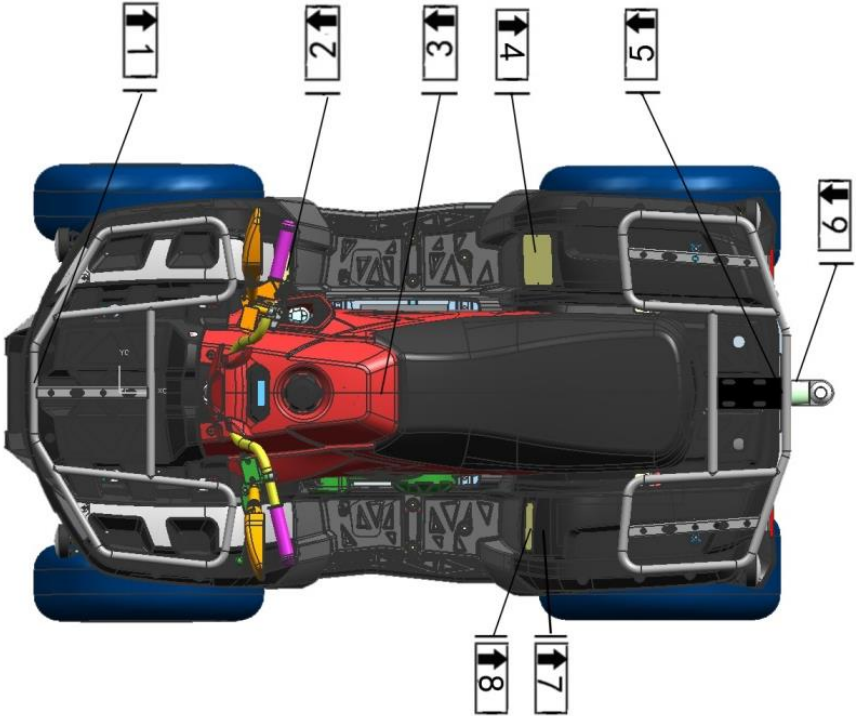
Indicates a situation that can result in damage to the machine.

NOTE The word “NOTE” in this manual will alert you to key information or instructions.

3.SAFETY WARNING

NOTE:

Warning decals have been placed on the vehicle for your protection. Read and follow the instructions on each decal carefully. In the event any decal becomes illegible or comes off, contact your dealer for a replacement.




3.SAFETY WARNING

1.

 **WARNING**

● DO NOT TOW FROM BACK OR BUMPER. Vehicle damage or tip over may result cause severe injury or death. Tow only from tow hooks or hitch. ● Max.combined Front Rack and container Load 22lbs/10kg. **T02151**

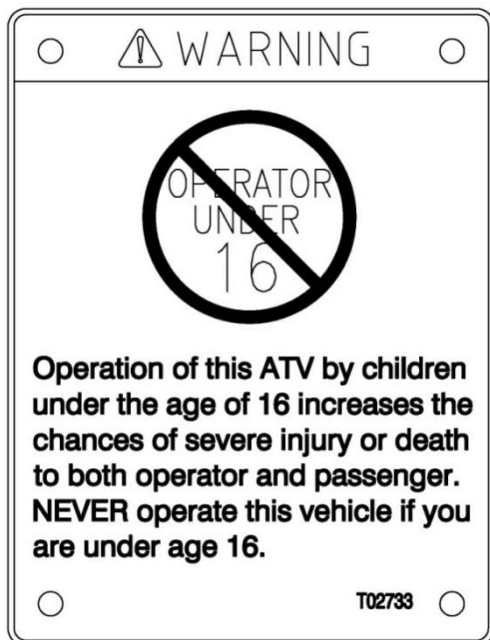
5.

 **WARNING**

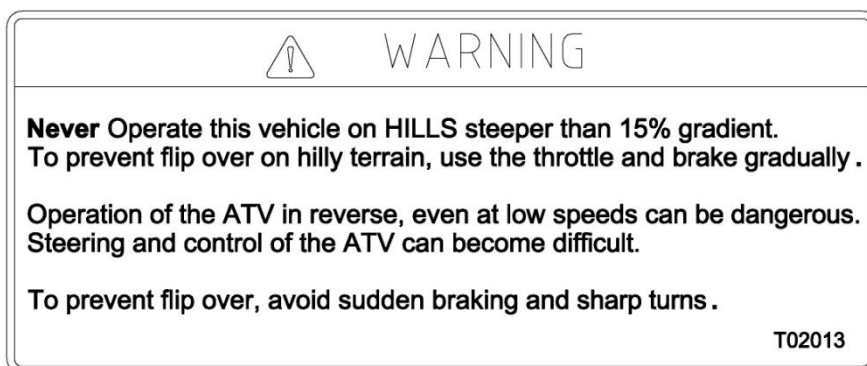
● DO NOT TOW FROM BACK OR BUMPER. Vehicle damage or tip over may result cause severe injury or death. Tow only from tow hooks or hitch. ● Max.Rear Rack Load 44.5lbs/20kg. **T02152**

3.SAFETY WARNING

2.



3.




3.SAFETY WARNING

4.

 **WARNING**

Improper ATV use can result in SEVERE INJURY or DEATH

		
ALWAYS USE AN APPROVED HELMET AND PROTECTIVE GEAR	NEVER CARRY MORE THAN ONE PASSENGER	NEVER USE WITH DRUGS OR ALCOHOL

NEVER carry a passenger too small to firmly plant feet on footrests and securely grasp hand holds.

THE PASSENGER MUST ALWAYS:

- **use an approved helmet and protective gear**
- **securely grasp hand holds and plant feet firmly on footrests while seated in the passenger seat**
- **tell operator to slow down or stop if uncomfortable -get off and walk if conditions require**

NEVER operate:

- **without proper training or instruction**
- **at speeds too fast for your skills or the conditions**

ALWAYS:

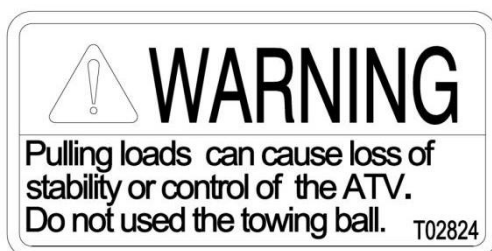
- **use proper riding techniques to avoid vehicle overturns on hills and rough terrain and in turns**

LOCATE AND READ OWNER'S MANUAL.
FOLLOW ALL INSTRUCTIONS AND WARNINGS.

T02148

3.SAFETY WARNING

6.



7.



8.



WARNING

Improper tire pressure or overloading can cause loss of control.

Loss of control can result in severe injury or death.

- **Cold tire pressure:**

Front : 7psi (48 kPa)

Rear : 7psi (48 kPa)

- **Maximum weight capacity : 375 lbs.(160kg)**

T02040

4. DAILY PRE-RIDE INSPECTION

WARNING

You must inspect your ATV each time before riding to ensure it is in proper working order. If proper inspection is not done, severe injury or death could result.

Use the following checklist to verify your machine is in proper working order each time you ride.

Item/Inspection procedure

1. Tire- check condition and pressures.
2. Fuel tank- fill the fuel tank to its proper level.
3. All brakes- check operation, adjustment and fluid level.
4. Throttle- check for free operation and closing.
5. (Headlight) / Taillight / Brakelight- check operation of all indicator lights and switches.
6. Engine stop switch / Tether switch - check for proper function.
7. Wheels- check for tightness of wheel nuts and axle nuts; check that axle nuts are secured by cotter pins.
8. Air cleaner element- check for dirt; clean or replace.
9. Steering- check for free operation noting any unusual looseness in any area.
10. Lubricate the chain and check the tension adjustment.
11. Loose parts- visually inspect vehicle for any damaged components or loose nuts/ bolts or fasteners.
12. Operator's helmets, goggles and clothing.

5. OPERATION WARNINGS

Get on and leave ATV

Get on

Get on the ATV through left or right by steps.

Leave

Check that the surroundings are in safe condition and then slowly park the ATV.

Stop the engine. (Key off)

Push the parking lever to the ON position to lock the rear wheels.

Leave the ATV through left or right steps.

WARNING

POTENTIAL HAZARD

Operating this ATV without proper instruction.

WHAT CAN HAPPEN

The risk of an accident is greatly increased if operator does not know how to operate the ATV properly in different situations and on different types of terrain.

HOW TO AVOID THE HAZARD

Beginning and inexperienced operators should complete the certified training course. They should then regularly practice the skills learned in the course and the operating techniques described in the Owner's Manual.

For more information about the training course, contact an authorized ATV dealer.

WARNING

POTENTIAL HAZARD

Operating this ATV without wearing an approved helmet, eye protection and protective clothing.

WHAT CAN HAPPEN

5. OPERATION WARNINGS

Operating without an approved helmet increases your chances of a severe head injury or death in the event of an accident.

Operating without eye protection can result in an accident and increases your chances of a severe injury in the event of an accident.

HOW TO AVOID THE HAZARD

Always wear an approved helmet which fits properly.

You should also wear: eye protection (goggles or face shield); gloves; boots; long-sleeved shirt or jacket; and long pants.

WARNING

POTENTIAL HAZARD

Operating this ATV after consuming alcohol or drugs.

WHAT CAN HAPPEN

Could seriously affect your judgment.

Could cause you to react more slowly.

Could affect your balance and perception.

Could result in an accident.

HOW TO AVOID THE HAZARD

Never consume alcohol or drugs before or while driving this ATV.

WARNING

POTENTIAL HAZARD

Operating this ATV at excessive speeds.

WHAT CAN HAPPEN

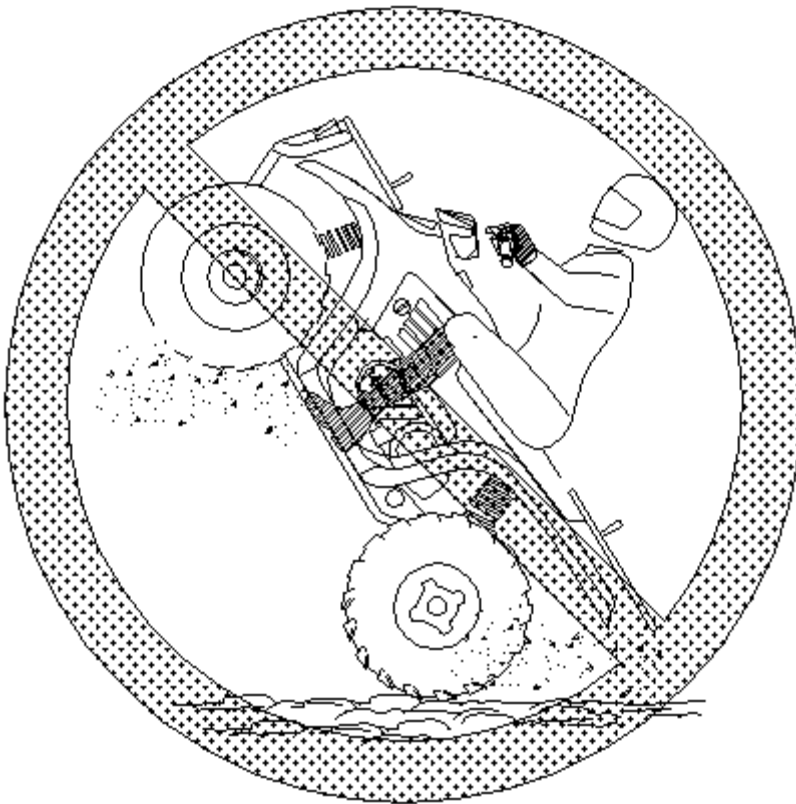
Increases your chances of losing control of the ATV, which can result in an accident.

5. OPERATION WARNINGS

HOW TO AVOID THE HAZARD

Always travel at a speed which is proper for the terrain, visibility and operating conditions; and your experience.

WARNING



POTENTIAL HAZARD

Attempting wheelies, jumps and other stunts.

WHAT CAN HAPPEN

Increases the chance of an accident, including an overturn.

HOW TO AVOID THE HAZARD

Never attempt stunts, such as wheelies or jumps.

5. OPERATION WARNINGS

WARNING

POTENTIAL HAZARD

Failure to inspect the ATV before operating.

WHAT CAN HAPPEN

Increases the possibility of an accident or equipment damage.

HOW TO AVOID THE HAZARD

Always inspect your ATV each time you use it to make sure the ATV is in safe operating condition.

Always follow the inspection and maintenance procedures and schedules described in the Owner's Manual.

WARNING

POTENTIAL HAZARD

Removing hand from handlebars or feet from footrests during operation.

WHAT CAN HAPPEN

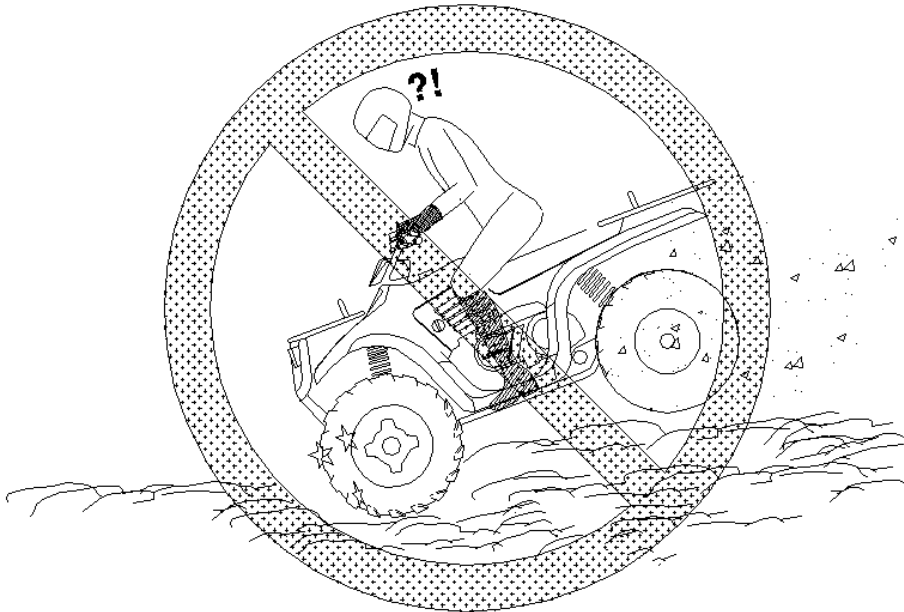
Removing even one hand or foot can reduce your ability to control the ATV or could cause you to lose your balance and fall off the ATV. If you remove a foot from the footrest, your foot or leg may come into contact with the rear wheels. Which could injure you or cause an accident.

HOW TO AVOID THE HAZARD

Always keep both hands on the handlebars and both feet on the footrests of your ATV during operation.

5. OPERATION WARNINGS

WARNING



POTENTIAL HAZARD

Failure to use extra care when operating this ATV on unfamiliar terrain.

WHAT CAN HAPPEN

You can come upon hidden rocks, bumps, or holes, without enough time to react.

Could result in the ATV overturning or going out of control.

HOW TO AVOID THE HAZARD

Go slowly and be extra careful when operating on unfamiliar terrain.

Always be alert to changing terrain conditions when operating the ATV.

5. OPERATION WARNINGS

WARNING

POTENTIAL HAZARD

Failure to use extra care when operating on excessively rough, slippery or loose terrain.

WHAT CAN HAPPEN

Could cause loss of traction or vehicle control, which could result in an accident, including an overturn.

HOW TO AVOID THE HAZARD

Do not operate on excessively rough, slippery or loose terrain until you have learned and practiced the skills necessary to control the ATV on such terrain.

Always be especially cautious on these kinds of terrain.

WARNING

POTENTIAL HAZARD

Climbing hills improperly.

WHAT CAN HAPPEN

Could cause loss of control or cause ATV to overturn.

HOW TO AVOID THE HAZARD

Always follow proper procedures for climbing hills as described in the Owner's Manual.

Always check the terrain carefully before you start up any hill.

Never climb hills with excessively slippery or loose surfaces.

Shift your weight forward.

Never open the throttle suddenly. The ATV could flip over backwards.

Never go over the top of any hill at high speed. An obstacle, a sharp drop, or another vehicle or person could be on the other side of the hill.

5. OPERATION WARNINGS

WARNING

POTENTIAL HAZARD

Turning improperly.

WHAT CAN HAPPEN

ATV could go out of control, causing a collision or overturn.

HOW TO AVOID THE HAZARD

Always follow proper procedures for turning as described in the Owner's Manual.

WARNING

POTENTIAL HAZARD

Operating on excessively steep hills.

WHAT CAN HAPPEN

The vehicle can overturn more easily on extremely steep hills than on level surfaces or small hills.

HOW TO AVOID THE HAZARD

Never operate the ATV on hills too steep for the ATV or for your abilities.

Practice on smaller hills before attempting large hills.

Never operate ATV on hills steeper than 15%.

5. OPERATION WARNINGS

WARNING

POTENTIAL HAZARD

Going down a hill improperly.

WHAT CAN HAPPEN

Could cause loss of control or cause ATV to overturn.

HOW TO AVOID THE HAZARD

Always follow proper procedures for going down hills as described in the Owner's Manual. NOTE: A special technique is required when braking as you go downhill.

Always check the terrain carefully before you start down any hill.

Shift your weight backward.

Never go down a hill at high speed.

Avoid going down a hill at an angle which would cause the vehicle to lean sharply to one side. Go straight down the hill where possible.

WARNING

POTENTIAL HAZARD

Improperly crossing hills or turning on hills.

WHAT CAN HAPPEN

Could cause loss of control or cause ATV to overturn.

HOW TO AVOID THE HAZARD

Never attempt to turn the ATV around on any hill until you have mastered the turning technique as described in the Owner's Manual on level ground. Be very careful then turning on any hill.

Avoid crossing the side of a steep hill if possible.

When crossing the side of a hill:

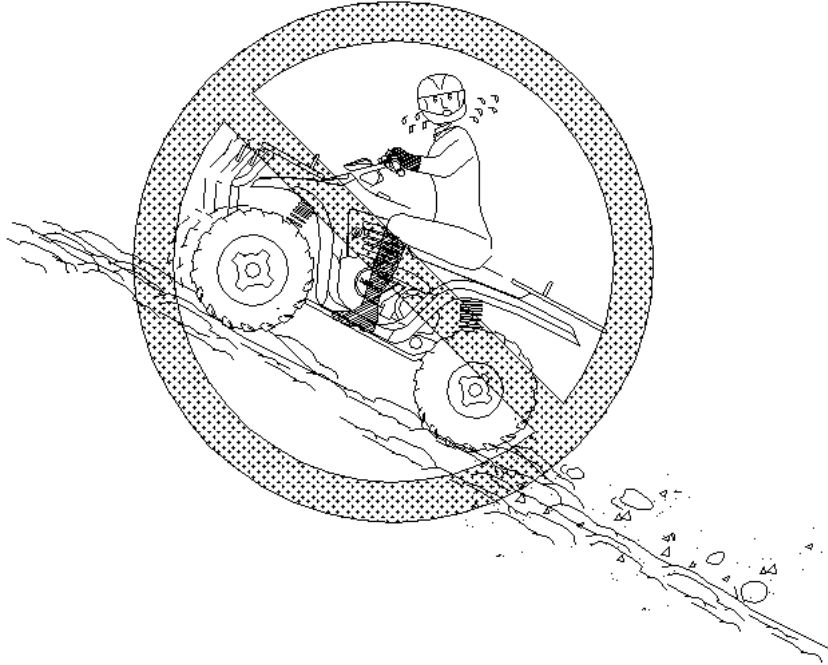
Always follow proper procedures as described in the Owner's Manual.

Avoid hills with excessively slippery or loose surfaces.

Shift your weight to the uphill side of the ATV.

5. OPERATION WARNINGS

WARNING



POTENTIAL HAZARD

Stalling, rolling backwards or improperly dismounting while climbing a hill.

WHAT CAN HAPPEN

Could result in ATV overturning.

HOW TO AVOID THE HAZARD

Maintain steady speed when climbing a hill.

If you lose all forward speed:

Keep weight uphill.

Apply the brakes.

Lock parking brake after you are stopped.

If you begin rolling backwards:

Keep weight uphill; never apply engine power.

Never apply the rear brake while rolling backwards.

Apply the front brake gradually.

When fully stopped, apply rear brake as well, and then lock parking brake.

Dismount on uphill side, or to either side if pointed straight uphill.

Turn the ATV around and remount following the procedure described in the Owner's Manual.

5. OPERATION WARNINGS

WARNING

POTENTIAL HAZARD

Improperly operating over obstacles.

WHAT CAN HAPPEN

Could cause loss of control or a collision. Could cause the ATV to overturn.

HOW TO AVOID THE HAZARD

Before operating in a new area, check for obstacles.

Use extreme caution when riding over large obstacles, such as large rocks or fallen trees.

If you cannot avoid obstacles, always follow proper procedures as described in the Owner's Manual.

WARNING

POTENTIAL HAZARD

Skidding or sliding,

WHAT CAN HAPPEN

You may lose control of the ATV.

You may also regain traction unexpectedly, which may cause the ATV to overturn.

HOW TO AVOID THE HAZARD

On slippery surfaces, such as ice, go slowly and be very cautious in order to reduce the chance of skidding or sliding out of control.

5. OPERATION WARNINGS

WARNING

POTENTIAL HAZARD

Operating this ATV through deep or fast flowing water.

WHAT CAN HAPPEN

Tires may float, causing loss of traction and loss of control, which could lead to an accident.

HOW TO AVOID THE HAZARD

Never operating the ATV through water which exceeds the recommended maximum depth in this manual.

Avoid operating the ATV through deep or fast flowing water. If you cannot avoid water, go slowly, balance your weight carefully avoiding sudden turns or stops, and do not make sudden throttle changes.

Remember that wet brakes may have reduced stopping ability.

Test your brakes after leaving water. If necessary, apply them several times to let friction dry out the pads.

WARNING

POTENTIAL HAZARD

Operating this ATV with improper tires, or with improper or uneven tire pressure.

WHAT CAN HAPPEN

Use of improper tires on this ATV, or operation of this ATV with improper or uneven tire pressure, may cause loss of control, and increases the risk of an accident.

HOW TO AVOID THE HAZARD

Always use the size and type tires specified in the Owner's Manual for this vehicle.

Always maintain proper tire pressure as described in the Owner's Manual.

5. OPERATION WARNINGS

WARNING

POTENTIAL HAZARD

Operating this ATV with improper modifications.

WHAT CAN HAPPEN

Improper installation of accessories or modification of this vehicle may cause changes in handling which in some situations could lead to an accident.

HOW TO AVOID THE HAZARD

Never modify this ATV through improper installation or use of accessories. All parts and accessories added to this vehicle should be genuine or equivalent components designed for use on this ATV; and should be installed and used according to instructions. If you have questions, consult an authorized dealer.

WARNING

POTENTIAL HAZARD

Overloading this ATV or carrying or towing cargo.

WHAT CAN HAPPEN

Could cause changes in vehicle handling which could lead to an accident.

HOW TO AVOID THE HAZARD

Never carry or tow cargo, or carry passengers.

WARNING

POTENTIAL HAZARD

Riding on frozen lakes and rivers.

WHAT CAN HAPPEN

Severe injury or death can result if the ATV and /or the operator break through the ice.

5. OPERATION WARNINGS

HOW TO AVOID THE HAZARD

Never ride you ATV on a frozen body of water.

WARNING

After a rollover or an accident, have a qualified service dealer check the complete machine including, but not limited to, brakes, throttle and steering for possible damage.

WARNING

Safe operation of this ride active vehicle requires good judgment and physical skills. Persons with cognitive or physical disabilities who operate this vehicle have an increased risk of overturns and loss of control which could result in severe injury or death.

CAUTION

Keep combustible materials away from exhaust system. Fire may result.

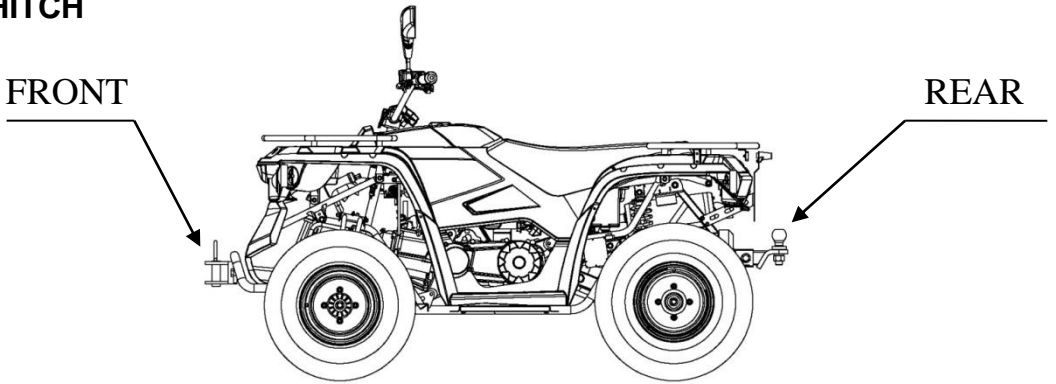
5. OPERATION WARNINGS

WARNING

HITCH

FRONT

REAR



Cautions when installing the implement or dragging the ATV

1. When installing the dragging implement trailer, the engine should stop and the ATV should park at the safety position. Please read implement's or trailer's installing instructions, signs and operating manuals carefully before changing.
2. The operation should be carried out according to the operating manual. Before finishing installing the dragging implement or trailer, it is forbidden to operate the tractor which is installed implement or connected trailer.
3. When connecting the dragging implement or trailer to ATV, it maybe cause personal injury if the person is lack of necessary experience. So the professional should be invited when necessary.
4. The implement should have fallen to ground before people leaving the ATV.
5. People should keep away from the areas between ATV and trailer when ATV is working with trailer.

Front loader and/or backhoe cannot be attached.

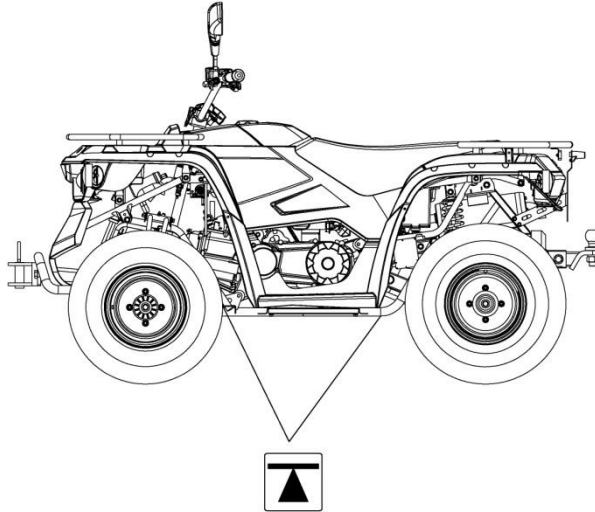
This ATV is not applicable to “forestry application” and “work with crop sprayers”.

DANGER

This ATV is designed not to use front mounted implements such as a front loader, front dozer. Do not operate the ATV with such front mounted implements.

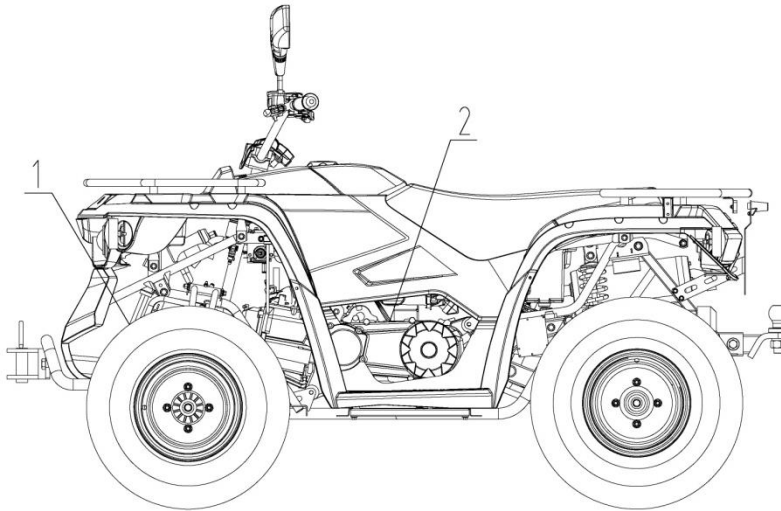
5. OPERATION WARNINGS

JACKING POINTS



The position with this indication is recommended jacking points.

6.V.I.N.



Record these numbers from your ATV in the spaces provided.

1. Frame VIN (found on the front side of the frame)
2. Engine Serial Number (Left upper side of engine crankcase)

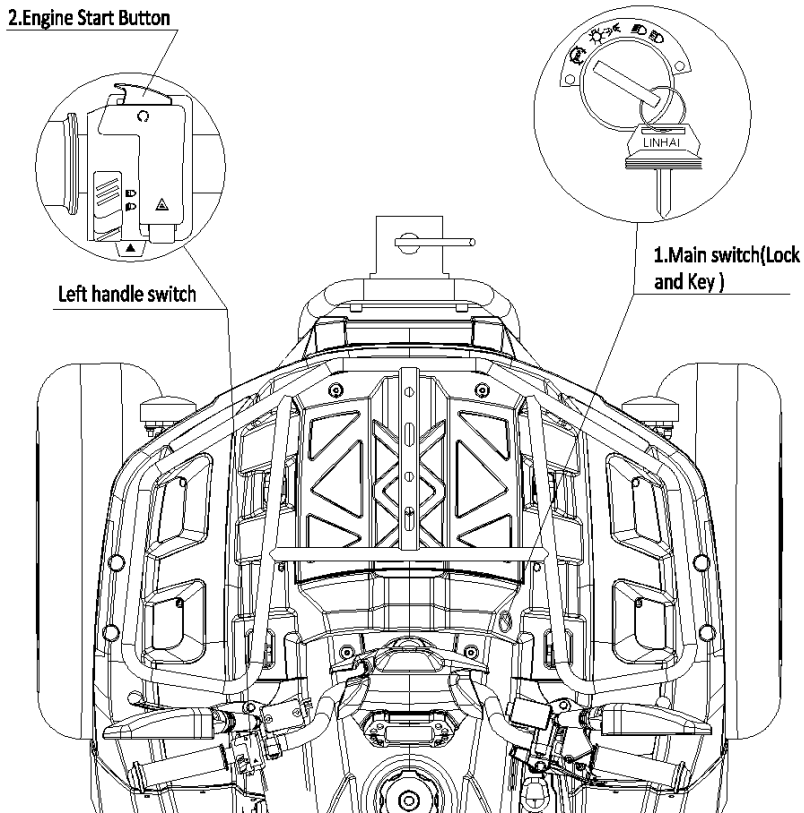
Remove the spare key and store in a safe place. Your key can be duplicated only by obtaining a key blank and having it cut by mating it with your existing key.

Record Key Number

The vehicle frame and engine serial numbers are important for model identification when registering your vehicle, obtaining insurance or whenever replacement parts are required. In the event your vehicle were stolen these numbers are essential to the recovery and identification of your ATV.

7. CONTROL AND PARTS FUNCTIONS

Electrical Switches (for T3)



1.Main Switch -This key switch must be turned clockwise to the “☀️➡️” position to start the engine.

2.Engine Start Button-To start the engine.

WARNING

This ATV is not equipped with highway approved lighting. This ATV is designed for off – road use only and must not be ridden on streets or highways. Use caution and drive at reduced speeds in conditions of reduced visibility such as fog, rain and darkness.

NOTE: The taillight is on whenever the main switch (key) is on the “☀️➡️” position. Turn the key off to prevent battery drain.

7. CONTROL AND PARTS FUNCTIONS

Throttle

WARNING

Do not start or operate an ATV with sticking or improperly operation throttle controls. A stuck or improperly operating throttle could cause an accident resulting in severe injury or death.

Always contact your dealer for service repairs whenever throttle problems arise.

Failure to check or maintain proper operation of the throttle system can result in the throttle lever sticking during riding and cause an accident.

Always check the lever for free movement and return before starting the engine and occasionally during riding.

Throttle Lever

Engine speed and vehicle movement are controlled by pressing the throttle lever. The throttle lever (1)



is spring loaded and engine speed returns to idle when the lever is released.

WARNING

Washing or operating the scooter in freezing temperatures can result in water freezing in the throttle cable conduit and/or on the throttle mechanism.

this may result in the throttle sticking which can cause the engine to continue to run and result in loss of control.

7. CONTROL AND PARTS FUNCTIONS

Front and Rear Brakes

The front and rear brakes should be checked before each ride. The front brake lever is located on the right handlebar and the rear brake lever is located on the left handlebar.

CAUTION

Once a bottle of brake fluid is opened, use what is necessary and discard the rest. Do not store or use a partial bottle of brake fluid. Brake fluid is hygroscopic, meaning it rapidly absorbs moisture from the air. This causes the boiling temperature of the brake fluid to drop, which can lead to early brake fade and the possibility of severe injury.

Front Brakes

The front brakes are located on the right handlebar, and are operated by the right hand. The front brakes are hydraulically activated disc type brakes.

Always test brake level travel and reservoir fluid level before riding. When squeezed, the level should feel firm. Any sponginess would indicate a possible fluid leak or low master cylinder fluid level which must be corrected before riding. Make sure the right and left brake are balanced after the adjustment of the front brakes by test at low speed. Contact your dealer for proper diagnosis and repairs.

WARNING

Use caution when applying the front brake. Do not aggressively apply the front brake, the front wheels may lock up and the ATV will lose steering or tip over.

7. CONTROL AND PARTS FUNCTIONS

Rear Brake

The rear brakes are located on the left handlebar, and are operated by the left hand. The rear brake is hydraulically activated disc type brakes. Always test brake level travel and reservoir fluid level before riding. When squeezed, the level should feel firm. Any sponginess would indicate a possible fluid leak or low master cylinder fluid level which must be corrected before riding. Contact your dealer for proper diagnosis and repairs.

WARNING

Use caution when applying the rear brake. Do not aggressively apply the rear brake, the rear wheels may skid and slide sideways causing loss of control.

WARNING

Never operate the ATV with a spongy feeling brake level. Operating the ATV with a spongy brake level can result in loss of braking. Loss of braking could cause an accident.

WARNING

Never operate the ATV with unbalance front brakes. Operating the ATV with unbalance front brakes can result in loss of control and cause an accident.

7. CONTROL AND PARTS FUNCTIONS

Setting the Parking Brake

Rear Parking Brake



1. Move the parking handle switch to the right to enable the parking function.
2. To release the parking brake lock, Move it to the left. It will return its released position.

7. CONTROL AND PARTS FUNCTIONS

Important Safeguards

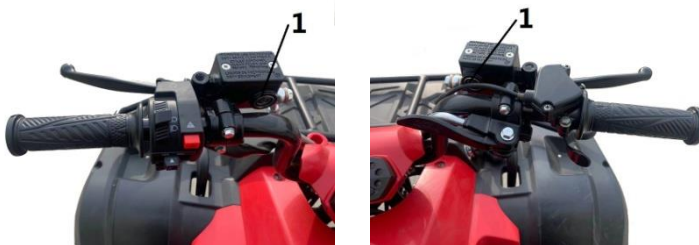
- The parking brake may relax when left on for a long period time. This could cause an accident.
- **Do not leave the vehicle on a hill depending on the parking brake for more than five minutes.**
- Always block the downhill side of the wheels if leaving the ATV on a hill or park the ATV in a side hill position.

WARNING

Always check to be sure that the parking brake has been disengaged before operating the ATV. An accident could result causing severe injury if the parking brake is left on while the ATV is operated.

Front/Rear brake

Brake Fluid Level



The brake fluid in the master cylinder, which is located on the handlebar, should be checked before each ride. There is an

7. CONTROL AND PARTS FUNCTIONS

indicator window (1) on the master cylinder, the fluid level can be seen through it, and should be maintained between the indicated “max” and “min” marks on the reservoir.

Fuel and Oil system

WARNING

Gasoline is highly flammable and explosive under certain conditions.

- Always exercise extreme caution whenever handling gasoline.
 - Always refuel with the engine stopped and outdoors or in a well ventilated area.
 - Do not smoke or allow open flames or sparks in or near the area where refueling is performed or where gasoline is stored.
 - Do not over fill the tank. Do not fill the tank neck.
 - If you get gasoline on your skin or clothing, immediately wash it off with soap and water and change clothing.
 - Never start the engine or let it run in an enclosed area. Gasoline powered engine exhaust fumes are poisonous and can cause loss of consciousness and death in a short time.
-

WARNING

The engine exhaust from this product contains chemicals known, in certain quantities, to cause cancer, birth defects or other reproductive harm.

7. CONTROL AND PARTS FUNCTIONS

Fuel and Oil System

Fuel System

The fuel tank filler cap is located directly behind the handlebar.

Refer to your owner's Manual for tank capacity.

Use regular unleaded gasoline.

NOTE: Low fuel alarm after is about a 9 mile (15km) range on reserve fuel. Always refill the gas tank as soon as possible after having used reserve supply.

Fuel filter

The filter should be replaced by your dealer every 100 hours of operation or annually. Do not attempt to clean the fuel filter.

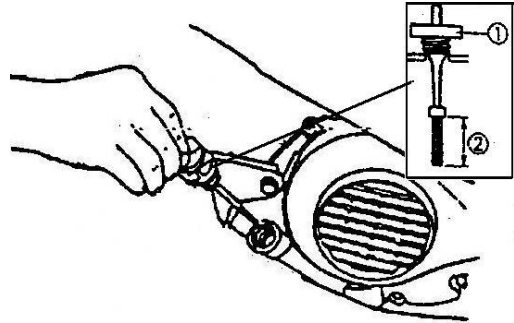
7.CONTROL AND PARTS FUNCTIONS

Oil System

The oil tank is located on the right side of the engine.

To check the oil:

1. Set machine on a level surface.
2. Start the engine and let it idle for 20-30 seconds.
3. Stop the engine, remove dipstick (1) and wipe dry with a clean cloth.
4. Put dipstick into the oil tank (don't screw in it).
5. Remove dipstick and check to see that the oil level is between the full and add marks(2). Add oil as indicated by the level on the dipstick. Do not overfill.

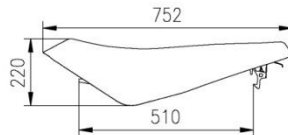
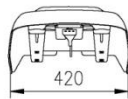
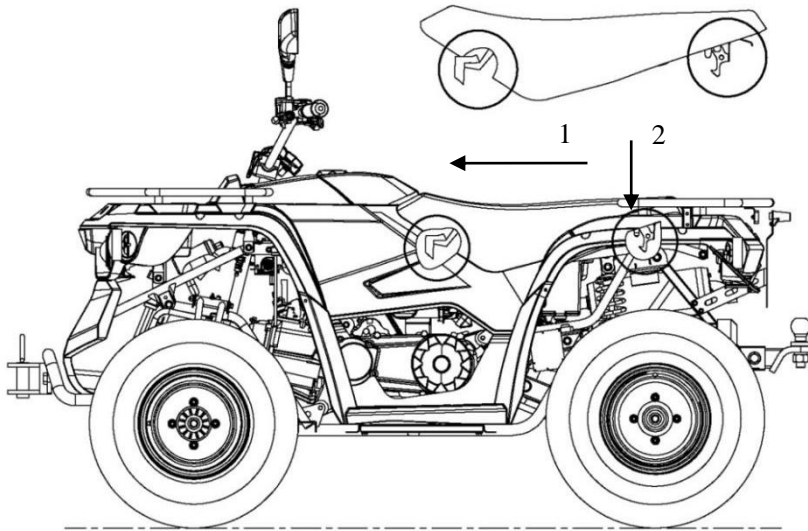


CAUTION

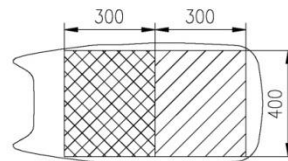
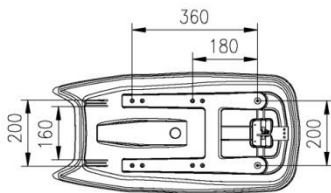
Use only SAE 15W/40 SG OIL. Never substitute or mix oil brands. Serious engine damage and voiding of warranty can result.

7.CONTROL AND PARTS FUNCTIONS

Seat



-  Driver's seat area
-  Passenger seat area



CAUTION

To avoid personal injury:


1. Make sure that the seat is completely secured.
2. Second passengers are not allowed.

8.STARTING THE ENGINE

Procedure for Starting a Cold Engine

WARNING

Never run an engine in an enclosed area. Carbon monoxide exhaust gas is poisonous and can cause severe injury or death. Always start engines outdoors.

1. Sit on the vehicle.
2. Turn the main switch to “ >0< ” position.
3. Shift into neutral, apply the handbrake lever and press the engine start button.
4. Do not press the throttle more than 20% while starting the engine.
5. Activate the starter for a maximum of five seconds, releasing the button when the vehicle starts. If engine does not start, release the starter for another five seconds. Repeat this procedure until engine starts.

9. VEHICLE BREAK-IN PERIOD

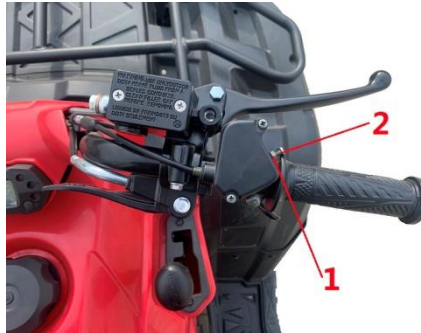
The break-in period for your new ATV is defined as the first 50 hours of operation. No single action on your part is as important as a proper break in period. Careful treatment of new engine will result in more efficient performance and longer life for the engine. Perform the following procedures carefully.

CAUTION

do not operate at full throttle or high speeds for extended periods during the break-in period. Excessive heat can build up and cause damage to close fitted engine parts.

Please set a limit to half throttle during the break-in periods.

1. Locknut
2. Adjuster



1. Fill fuel tank.
2. Check oil reservoir level indicated on dipstick. Add oil if necessary.
3. Drive slowly at first. Select an area which is open and will give you room to familiarize yourself with vehicle operation and handling.
4. Vary the throttle positions. Do not operate at sustained idle.
5. Perform regular checks on fluid levels, controls and all important areas on the vehicle as outlined earlier on the daily pre-ride inspection checklist found in "**4.daily pre-ride inspection**".
6. Don't pull loads.
7. After the first 2 hours of operation, and before and after each use, lubricate the chain and check the tension adjustment.

10. RIDING GEAR

Safe Riding Gear

Always wear clothing suitable to the type of riding you are doing. ATV riding requires special protective clothing which will make you feel more comfortable and reduce chances of injury.

1. Helmet

Your helmet is the most important piece of protective gear for safe riding. A helmet can prevent a severe head injury.

2. Eye Protection

A pair of goggles or helmet face shield offer the best protection for your eyes.

3. Gloves (off-road style)

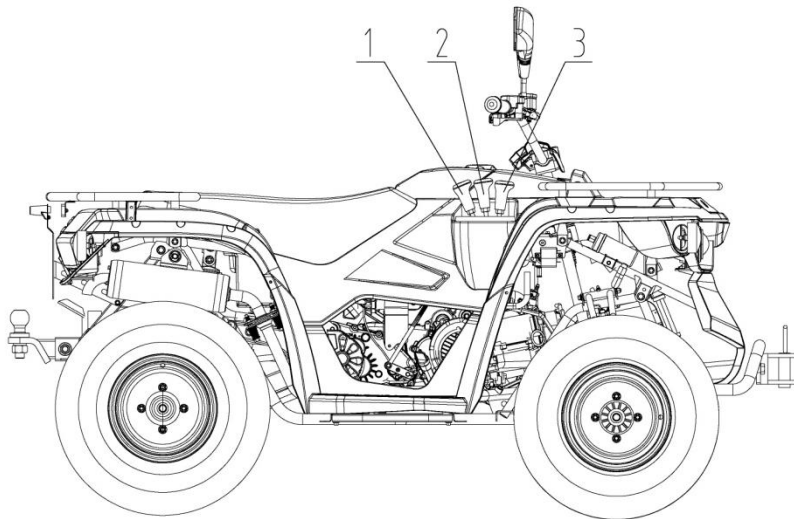
4. Boots

A pair of strong over the calf type boots with heels, such as moto-cross boots.

5. Clothing

To protect your body, long sleeves and pants should always be worn. Riding pants with kneepads, a jersey and shoulder pads provide the best protection.

11. RIDING



Shift display

This ATV is divided into three gear: forward gears, neutral and reverse.

As shown: 1 for the reverse, 2 .for neutral, 3 . for forward .

11. RIDING

WARNING

You must inspect you ATV each time before riding to ensure it is in proper working order. If proper inspection is not done, severe injury or death could result.

See “4.DAILY PRE-RIDE INSPECTION”

1. Sit upright with both feet on footrests and both hands on the handlebar.
2. Starting the engine and allowing it to warm up,
3. Check you surroundings and determine your path of travel.
4. Release the parking brake.
5. Slowly depress the throttle with you right thumb and begin driving .Vehicle speed is controlled by the amount of throttle opening.
6. Drive slowly, practice maneuvering and using the throttle and brakes on level surfaces

11. RIDING

Making turns

Practice making turns at slow speeds

This ATV is equipped with a solid rear axle which drives both rear wheels equally at all times. This means that the wheel on the outside of the turn must travel a greater distance than the inside wheels when turning and the inside tire must slip traction slightly. To turn, steer in the direction of the turn leaning your weight on the outer footrest. This technique alters the balance of traction between the rear wheels allowing the turn to be made smoothly.

WARNING

Avoid turning at sharp angles as tip over and severe injury may result.

11. RIDING

Riding on slippery surfaces

Whenever riding on slippery surface such as wet trails or loose gravel, or during cold freezing weather, special attention must be paid to prevent vehicle turnover.

Always:

1. Slow down when entering slippery areas.
2. Maintain a high level of alertness, reading the trail and avoiding quick, sharp turns which can cause skids.
3. Correct a skid by turns the handlebars in the direction of the skid and shifting your body weight forward.
4. Never apply brakes during a skid. Complete loss of ATV control can result.
5. Do not operate on excessively slippery surfaces.
6. Always deduce speed and use additional caution.

WARNING

Failure to exercise care when operating the ATV on slippery surfaces can be dangerous.

Loss of tire traction and vehicle control can result in an accident, including an overturn.

11. RIDING

Traveling Uphill

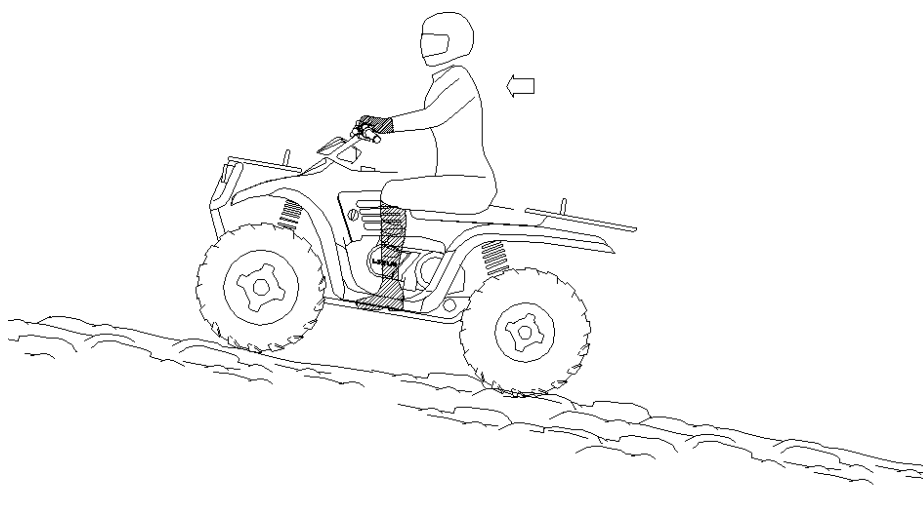
WARNING

Exercise extreme caution when traveling in hilly terrain.

Braking and handling are greatly affected. Loss of vehicle control or overturning of the ATV could occur causing severe injury or death.

Whenever traveling uphill always travel straight uphill and:

1. Avoid steep hills (15%maximum).
2. Keep both feet on the footrests.
3. Transfer you weight forward.
4. Proceed at a steady rate of speed and throttle opening.
5. Remain alert and be prepared to take emergency action. This may include quick dismounting of the ATV.



11. RIDING

Side hilling

Side hilling your ATV is one of the most dangerous types of riding and should be avoided. If you do enter into a situation where side hilling is necessary, always:

1. Slow down.
2. Lean into the hill transferring you upper body weight toward the hill while keeping your feet on the footrests.
3. Steer slightly into the hill to maintain vehicle directions.

If vehicle begins to tip, quickly turn the front wheel downhill, if possible, or dismount on the uphill side immediately!

WARNING

Improperly crossing hills or turning on hills can be dangerous. Loss of vehicle control or overturning of the ATV could occur causing severe injury or death.

11. RIDING

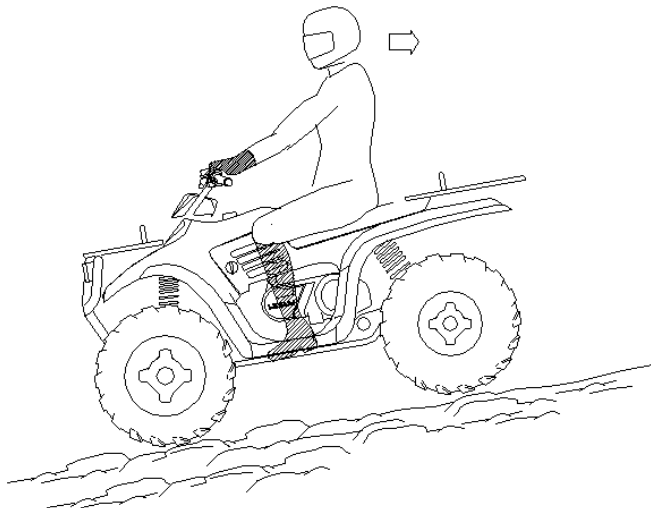
Traveling Downhill.

Whenever descending a hill, always:

1. Drive directly downhill.
2. Transfer your weight to the rear of the vehicle.
3. Slow down.
4. Apply the brakes slightly to aid in slowing.

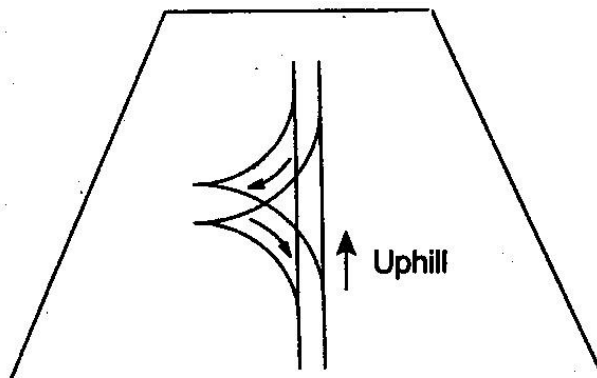
WARNING

Do not travel at excessive speeds. It is dangerous and can cause loss of vehicle control and tipping, resulting in severe injury or death.



11. RIDING

Turning Around On A Hill



If the ATV stalls while climbing a hill, never back it down the hill! One maneuver which can be used when it is necessary to turn around while climbing a hill is the K-turn.

1. Stop and lock the parking brake while maintaining body weight uphill.
2. Shut off engine.
3. Dismount on left or uphill side of ATV.
4. Staying uphill of ATV, turn handlebars full left (while facing front of ATV).
5. While holding brakes, release parking brake lock and slowly allows ATV to roll around to your right until ATV is pointing across the hill or slightly downward.
6. Lock the parking brake and remount ATV from the uphill side, maintaining body weight uphill.
7. Restart engine, release parking brake, and proceed slowly, controlling speed with the service brake, until ATV is on reasonably level ground.

WARNING

Avoid climbing steep hills. Loss of vehicle control or overturning of the ATV could occur resulting in severe injury or death.

11. RIDING

Crossing Streams

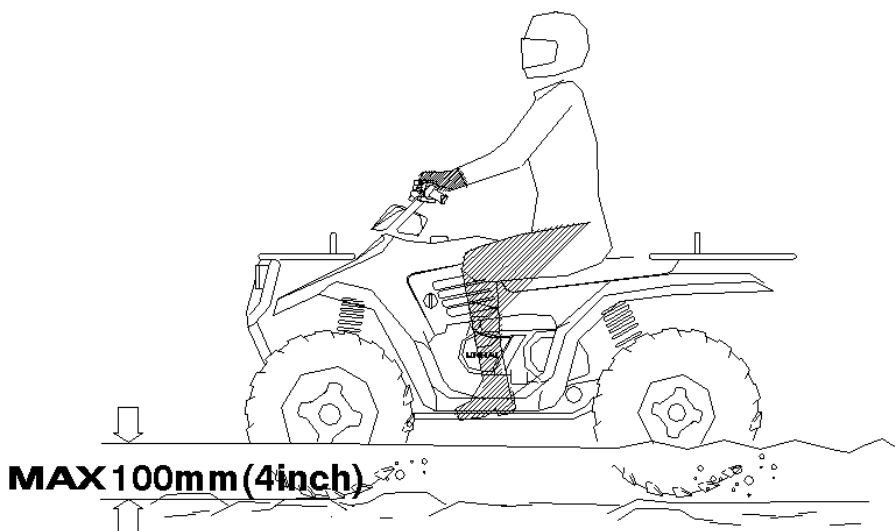
Your ATV can operate through water up to maximum recommended depths is 4 inch (100mm) . Before fording streams always:

1. Determine water depths and current.
2. Choose a crossing where both banks have gradual inclines.
3. Proceed slowly, avoiding rocks and obstacles if possible.
4. After crossing, dry the brakes by applying light pressure to the lever until braking action is normal.

CAUTION

Never operating the ATV through deep or fast flowing water.

NOTE: After running the vehicle in water, it is critical your machine is serviced as outlined in the maintenance chart see “15.maintenance”.The following areas need special attention: engine oil, transmission oil and all grease fittings.



11. RIDING

CAUTION

If your ATV becomes immersed, take it to your dealer before starting the engine. Major engine damage can result if the machine is not thoroughly inspected.

If it is impossible to take it to a dealer before starting, follow the steps outlined below.

- Move the ATV to dry land or at the very least, to water depth not more than 4 inch (100mm).
- Remove the spark plug.
- Turn the engine over several times with electric start.
- Dry the spark plug and reinstall or replace with a new plug.
- Attempt to start the engine. If necessary repeat the “drying” procedure.
- Take the machine to your dealer for service as soon as possible whether you succeed in starting it or not.

If water has been ingested into the CVT system, take the ATV to your dealer for service as soon as possible

11. RIDING

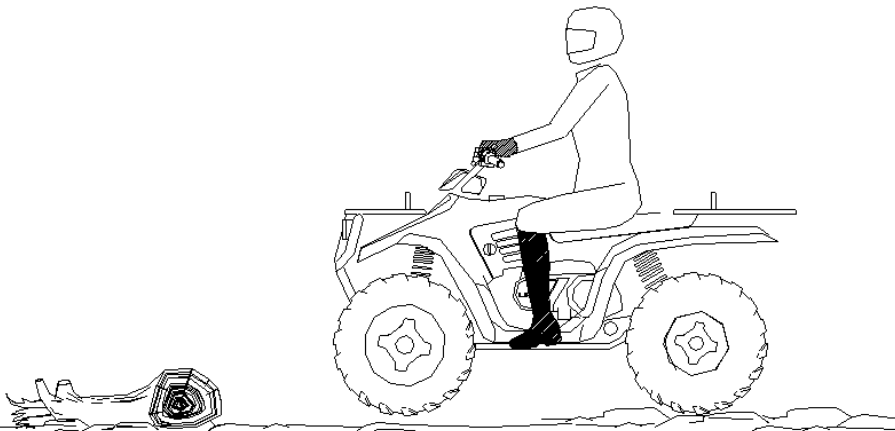
Trail Obstacles

Keep Alert!

Look ahead and learn to read the trail as you ride. Stay on the right side of the trail, if possible, and be constantly alert for hazards such as logs, rocks and low hanging branches.

WARNING

Not all obstacles are visible. Travel with caution on trails. Severe injury or death can occur if a vehicle comes in contact with a hidden obstacle.

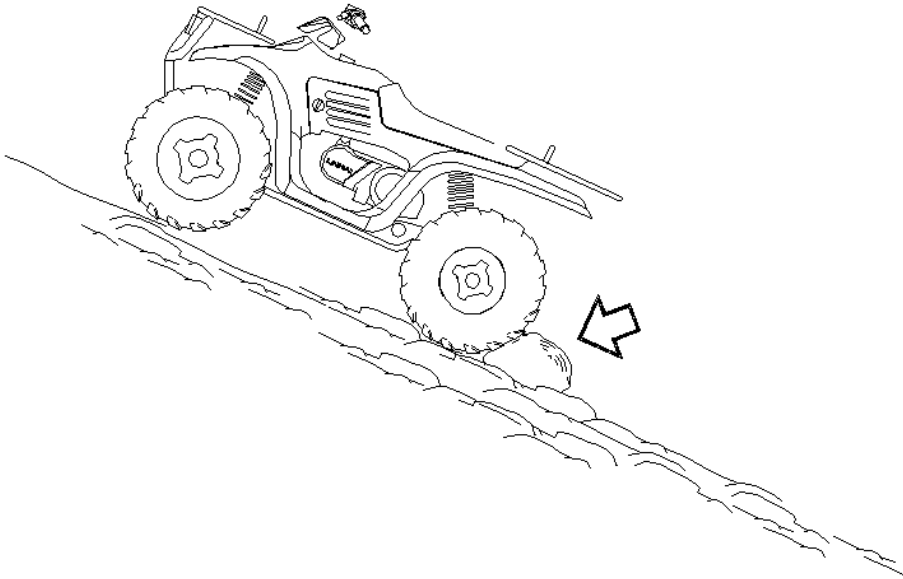


CAUTION

Opening the throttle more than required may cause excessive fuel to build in the exhaust, resulting in engine popping and/or engine damage.

11. RIDING

Parking on an incline



Whenever the vehicle is parked

1. Turn the engine off.
2. Set the parking brakes.
3. Shut off fuel supply.
4. Avoid parking on an incline. If it is necessary to park on an incline, always block the rear wheels on the down hill side as shown above.
5. Do not leave the ATV on a hill depending on the parking brake for more than five minutes.

12. CVT SYSTEM

CVT System

WARNING

The CVT system rotates at high speeds, creating large amounts of force on clutch components. However, as the owner you have the following responsibilities to make sure this system remains safe:

- Do not modify any component of the CVT system. Doing so may reduce its strength so that a failure may occur at high speeds. Any modification will cause the system to be out of balance, creating vibration and additional loads on components.
- Routing maintenance is the responsibility of the owner. Always follow recommended maintenance procedures See you dealer!
- The CVT housing must be securely in place during operation.

Failure to comply with this warning can result in severe injury or death.

13. BATTERY

WARNING

Whenever removing the battery, disconnect the negative (back) cable first. When reinstalling the battery, connect the negative (back) cable last or explosive situation could result causing serious injury or death

Batteries produce explosive gases. Keep sparks, flame, cigarettes, etc. away. Ventilate when charging or using in an enclosed space. Always shield eyes when working near batteries. **KEEP OUT OF REACH OF CHILDREN.**

MF Battery

This battery is maintenance free type, it is not necessary to replenishing the battery fluid.

Battery Removal

1. Remove the operator's seat and the cover of battery.
2. Disconnect the black (negative) battery cable first.
3. Disconnect the red(positive) battery cable next.
4. Lift the battery out of the ATV.

Battery Installation and Connections

Battery terminals and connections should be kept free of corrosion .If cleaning is necessary, remove the corrosion with a stiff wire brush. Wash with a solution of one tablespoon baking soda and one cup water. Rinse well with tap water and dry off with clean rags. Coat the terminals with dielectric grease or petroleum jelly. Be careful not to allow cleaning solution or tap water into the battery.

13. BATTERY

1. Set the battery in the battery box.
2. First connect and tighten the red (positive) cable.
3. Second connect and tighten the black (negative) cable.
4. Verify that cables are properly routed.

NOTE:

- When your ATV is placed in storage for one month or more, the battery should be removed, charged to proper level, and stored in a cool dry place.
- Before reusing, take the battery to your dealer for testing and recharging.
- When installing a new battery, make certain it is fully charged prior to its initial use. Using a new battery that has not been fully charged can damage the battery resulting in a shorter life of the battery.

CAUTION

Your ATV is equipped with a 9Ah Battery. This may not be sufficient to provide power for optional equipment. When installing optional equipment please upgrade your battery as necessary. See your dealer for the proper battery.

14. EXHAUST SYSTEM

WARNING

SYSTEM REGULATION

TAMPERING WITH NOISE CONTROL SYSTEM PROHIBITED!

CAUTION: Exhaust system components are very hot during and after use of ATV.

- Do not touch exhaust system components. Serious burns can result.
- Traveling through tall grass prohibited. The potential for fire exists.

Spark Arrestor

The exhaust pipe must be periodically purged of accumulated carbon as follows:

1. Remove the arrestor screw located on the bottom of the muffler, pull out the arrestor (the mesh).
2. Clean the arrestor or replace it.

WARNING

When cleaning the spark arrestor, you must follow the safe guards listed below to avoid serious injury.

- Do not perform this operation immediately after the engine has been run because the exhaust system becomes very hot.
- Keep combustible materials away from exhaust system. Fire may result.



15. MAINTENANCE

CAUTION

Due to the nature of the adjustments marked with a D on the Following chart, it is recommended that service be performed by an authorized dealer.

- More often under severe use, such as dirty or wet conditions to purge water or dirt contamination from grease fittings and other critical components.

Periodic Maintenance Schedule

Careful periodic maintenance will help keep your vehicle in the safest, most reliable condition. Inspection, adjustment and lubrication intervals of important components are explained in the following chart on the following pages.

Maintenance intervals are based upon average riding conditions and an average vehicle speed of approximately 10 miles per hour (16km/h). Vehicles subjected to severe use, such as operation in wet or dusty areas, should be inspected and serviced more frequently.

Inspect, clean, lubricate, adjust or replace parts as necessary.

NOTE: Inspection may reveal the need for replacement parts. Always use genuine parts available from your dealer.

Service and adjustment are critical. If you are not familiar with safe service and adjustment procedures, have a qualified dealer perform these operations.

15. MAINTENANCE

	Item	Hours	When	Remarks
	Brake System	Pre-ride	Pre-ride	Pre-ride inspection item
	Tires	Pre-ride	Pre-ride	Inspect daily, pre-ride inspection item
	Wheels	Pre-ride	Pre-ride	Pre-ride inspection item
	Frame nuts, bolts fasteners	Pre-ride	Pre-ride	Pre-ride inspection item
	Headlamp Inspection (if equipped)	Daily	Daily	Check operation daily; apply dielectric grease to connector when replaced
	Tail lamp inspection	Daily	Daily	Check operation daily; apply dielectric grease to socket when replaced
	Wheel arch	Weekly	Weekly	Clean wheel arch
●	Air Filter Element	Weekly	Weekly	Inspect –Replace if necessary
●	Transmission Oil Level	100 hrs	Yearly	Inspect yearly or 100hrs change annually
	Battery	20 hrs	Monthly	Check / clean Terminals;
D	Brake pad/ shoe wear	10 hrs	Monthly	Inspect periodically
	Engine Cylinder Head and Cylinder Base Fasteners	25 hrs	3 months	Inspect (re-torque required at first service only)
●	General Lubrication	50 hrs	3 months	Lubricate all fittings, pivots, cables, etc.
●	Engine Oil-Level/Change	30 hrs	3 months	Check Level Daily; Break in Service at 1 month. Change oil more often in cold weather use.

15. MAINTENANCE

	Item	Hours	When	Remarks
	Engine breather hose	100 hrs	6 months	Inspect
D	Throttle Cable	50 hrs	6 months	Inspect –adjust, lubricate, replace if necessary; pre-ride inspection item
D	Drive belt	50 hrs	6 months	Inspect, replace if necessary
●	Steering	50 hrs	6 months	Inspect daily, lubricate
●	Rear Axle	50 hrs	6 months	Inspect bearings, Lube
●	Front Suspension	50 hrs	6 months	tighten fasteners
●	Rear Suspension	50 hrs	6 months	Inspect, tighten fasteners
	Spark Plug	100 hrs	12 months	Inspect-replace if necessary
D	Ignition Timing	100 hrs	12 months	Inspect and adjust as needed
D	Fuel System	100 hrs	12 months	Check for leaks at tank, cap, lines, fuel valve, filter, Replace lines every one year
D	Fuel Filter	100 hrs	12 months	Replace annually
	Chain	Before and after each use		After the first 2 hours of operation, and before and after each use, lubricate the chain and check the tension adjustment.

15. MAINTENANCE

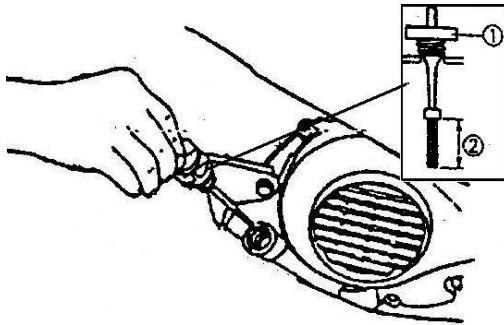
	Item	Hours	When	Remarks
	Spark arrestor	10 hrs	monthly	Clean out-replace if necessary
D	Clutches (drive and Driven)	25 hrs	3 months	Inspect, clean
	Engine mounts	25 hrs	3 months	Inspect
D	Valve clearance	100 hrs	12 months	Inspect/adjust
D	Brake fluid	200 hrs	24 months	Change every two years
	Idle Speed	As Required	As Required	Adjust
D	Toe adjustment	As Required	As Required	Periodic inspection, adjust when parts are replaced
	Headlight Aim (if equipped)	As Required	As Required	Adjust if necessary

15. MAINTENANCE

Lubrication Recommendations

Item	Lube Rec	Method	Frequency
1. Engine Oil	SAE 15W/40SG	Add to proper level on dipstick	Check level daily
2. Brake Fluid	DOT 3 Only	Maintain level Between fill lines. See "7.CONTROL"	As require; change every two years or 200 hours
3. Transmission oil	SEA 80W/90GL5	See "15.MAINTENANCE/TRANSMISSION LUB"	Change annually or at 100 hours
4. Chain lubricant	Graphite based	Spray-on graphite based chain lubricant	before and after each use

1.

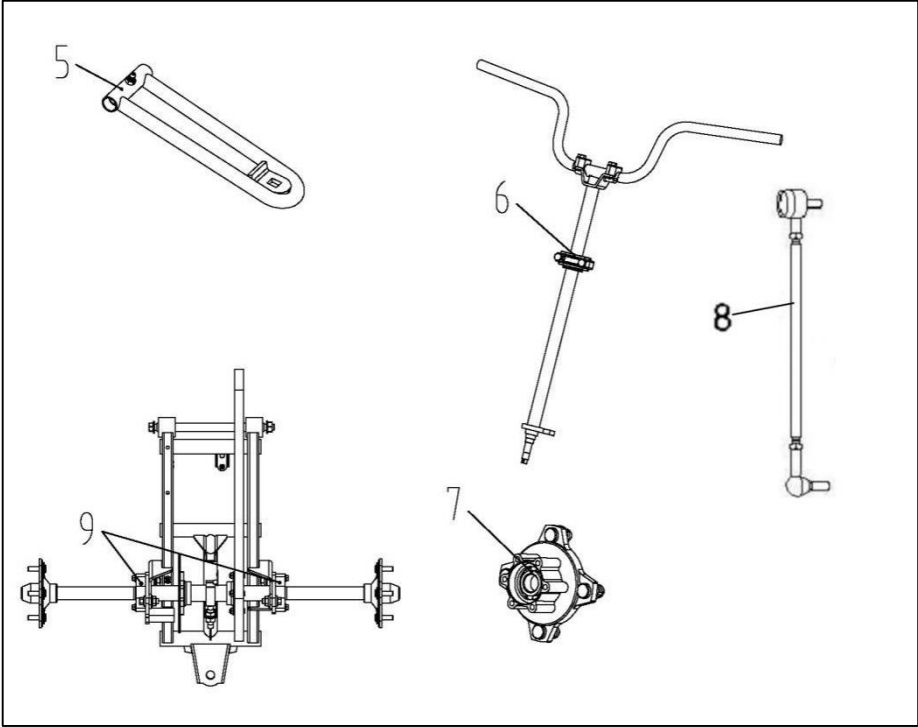


15. MAINTENANCE

Lubrication Recommendations

	Item	Lube Rec	Method	Frequency
●	5. Front A-arm pivot Shaft	Grease	Locate fitting on pivot shaft and grease with grease gun	Every 3 months or 50 hours
●	6. Steering Post Bushings	Grease	Locate fitting on pivot shaft and grease with grease gun	Every 3 months or 50 hours
●	7. Front Wheel bearings	Grease	Inspect and replace bearings if necessary	Semi-annually
	8. Tie rods	Grease	Locate fittings and grease	Semi-annually

15. MAINTENANCE



15. MAINTENANCE

Lubrication Recommendations

●	9.Rear Axle Bearing	Grease	Locate fittings and grease	Every 3 months or 50 hours
●	10.Throttle Cable	Grease M	Grease, inspect and replace it if necessary	Monthly or 20 hours

NOTE:

1. More often under severe use, such as wet or dusty conditions .
2. Grease: Light weight lithium-soap grease.
3. Grease M : molybdenum disulfide(MoS_2) grease (water resistant).
4. *When suspension action becomes stiff or after washing.
5. Hours are based on 10 mph(16Km/h) average.

15. MAINTENANCE

WARNING

Improper adjustment of the handlebars or incorrect torquing of the adjuster block tightening bolts can cause limited steering or loosening of the handlebars, resulting in loss of control and possible serious personal injury or death.

Handlebar Adjustment

Your ATV has handlebars which can be adjusted for your personal fit.

1. Remove the handlebar cover.
2. Loosen the four bolts.
3. Adjust handlebar to desired height. Be sure handlebars do not hit gas tank or any other part of machine when turned fully to left or right.
4. Torque handlebar adjuster block to 10-12 ft.lbs(14-16Nm).



NOTE: Tighten bolts so there is an equal gap at the front and rear of the handlebar block. Improper gap will result in improper fit of upper pod.

15. MAINTENANCE

The following items should be checked occasionally for tightness; or if they have been loosened for maintenance service.

Wheel Nut Torque Specifications

Bolt Size		Specification	
Front	M10X1.25	33-37Ft.Lbs	45-50N.m
Rear	M10X1.25	33-37Ft.Lbs	45-50N.m

NOTE: All nuts that have a cotter pin installed must be serviced by an authorized Dealer.

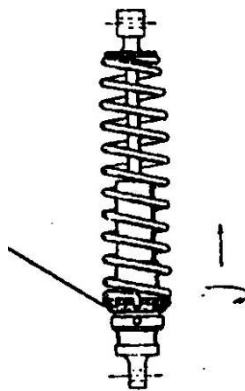
Front Wheel Hub Tightening

Front wheel bearing tightness and spindle nut retention are critical component operations. Service work must be performed by an authorized dealer.

Rear Spring Adjustment

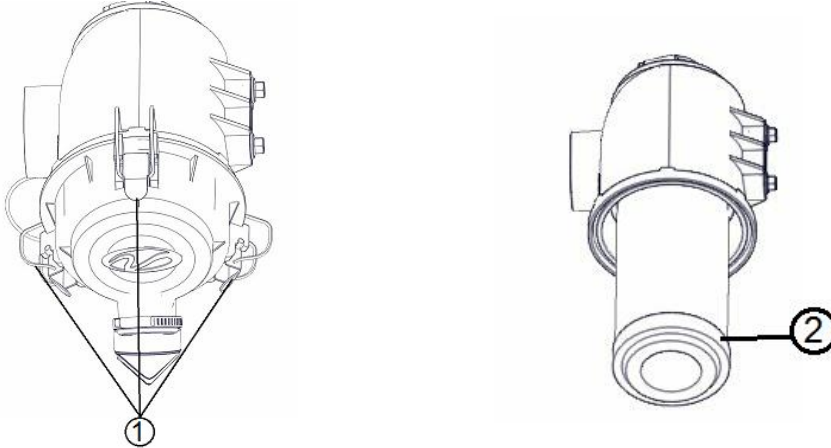
The rear shock absorber spring is adjusted by rotating the adjuster in the direction required to increase or decrease spring tension.

Rear Spring
Adjustment



15. MAINTENANCE

Air Filter Service



1. Disengage the three cover latches ○,1.
2. Unlatch the cover and carefully remove it from the air box.
3. Remove the filter ○,2.
4. Inspect the air box for oil or water deposits. Wipe away any deposits with a clean shop towel.
Note: If the filter has been soaked with fuel or oil it must be replaced.
5. Inspect the air filter and replace if necessary.
Note: DO NOT attempt to clean the air filter with compressed air .
6. Place the air filter into the air box and reinstall the air box cover.
Note: Make sure the tabs are properly positioned into the hinge. Ensure the O-ring is installed inside the lid properly.
7. Engage the cover latches.

15. MAINTENANCE

Steering Inspection

The steering assembly of the machine should be checked periodically for loose nuts and bolts. If loose nuts and bolts are found, have your dealer tighten them before riding your vehicle.

Camber and Caster

The camber and caster are non-adjustable.

WARNING

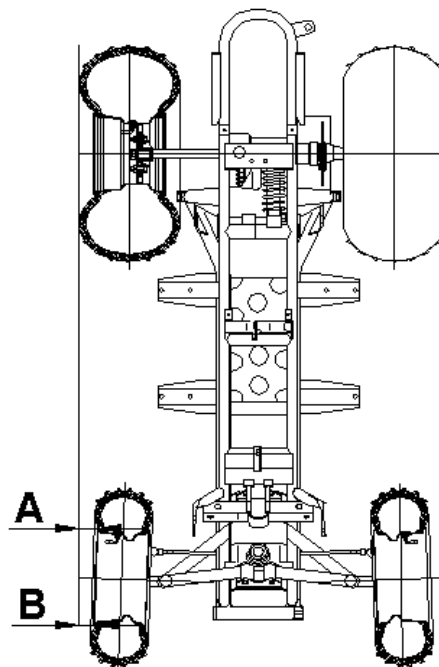
Do not attempt to adjust the tie rod for toe alignment. Severe injury or death can result from improper adjustment.

Contact your dealer. He/she has the training and tools to make these adjustment.

Toe Alignment Check

The recommended toe alignment is $1/8''$ to $1/4''$ (3 to 6 mm) toe out.

1. Set the handlebars in a Straight ahead position and Hold them in this position.
2. Measure A and B, A minus B should be $1/16''$ to $1/8''$ (1.5 to 3 mm).
3. If this measurement needs to be adjusted, contact your dealer for service.



15. MAINTENANCE

Front /Rear Brake

WARNING

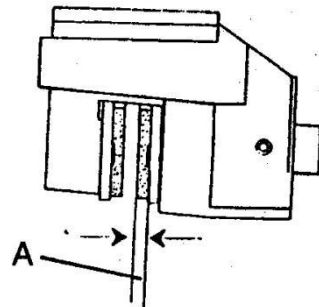
Once a bottle of brake fluid is opened, use what is necessary and discard the rest. Do not store or use a partial bottle fluid. Brake fluid is hygroscopic, meaning it rapidly absorbs moisture from the air. This causes the boiling temperature of the brake fluid to drop, which can lead to early brake fade and the possibility of serious injury.

The brake is hydraulic disc brakes which is depressing the lever on the handlebar.

The following checks are recommended to keep the brake system in good operating condition. How often they need checking depends upon the type of driving that has been done.

- Keep fluid level in the master cylinder reservoirs as described see “7.Control and functions”. Normal functioning of the diaphragm is to extend into the reservoir as fluid level drops. If the fluid level is low and the diaphragm is not extended, a leak is indicated and the diaphragm should be replaced. Always fill the reservoir as indicated whenever the cover is loosened or removed to insure proper diaphragm operation. Use DOT 3 brake fluid.

- Check brake system for fluid leaks. .
- Check brake for excessive travel
Or spongy feel.
- Check friction pads for wear,
damage and loosened.
- Check security and surface
condition of the disc.
- Pads should be changed when
friction material is worn to 2mm.(A)

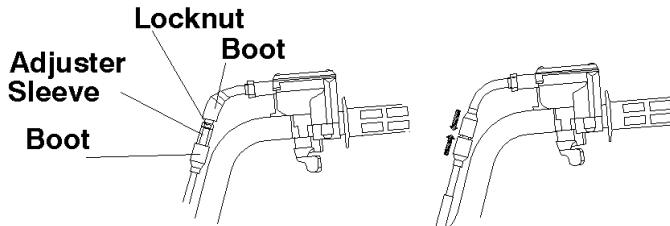


15. MAINTENANCE

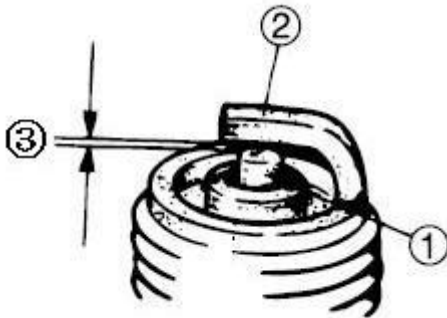
Throttle Cable Free Play Adjustment

Throttle cable free play is adjusted at the handlebar.

1. Side the bolts off inline cable adjuster, Loosen adjuster locknut.
2. Turn adjuster until 1/16" to 1/8" (2to3mm) free play is achieved at thumb lever. **NOTE:** While adjusting freeplay, it is important you flip the throttle lever back and forth.
3. Tighten locknut and slide boots over cable adjuster.



Spark Plugs



③ Gap:0.6-0.8mm

Standard spark plug
CR7HSA(NGK)

Inspect:

- Insulator ①
Abnormal color: Replace.
Normal color is a medium-
To-light tan color.
- Electrode ②
Wear/damage:Replace.

Clean:

- Spark plug
(with spark plug cleaner or
wire brush)

Measure:

- Spark plug gap ③
Out of specification: Adjust
gap.

15. MAINTENANCE

Spark Plug Removal and Replacement

WARNING

Never attempt to remove a spark plug while the engine is warm. The exhaust system or engine could burn you causing severe injury.

Remove the spark plug by rotating counterclockwise.

Reverse the procedure for spark plug installation. Torque to 17ft.lbs (23N.m).

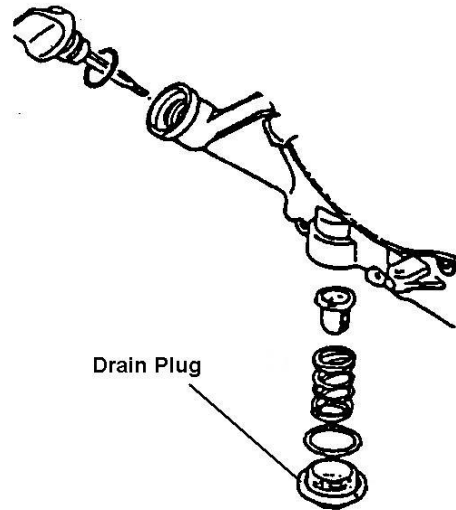
15. MAINTENANCE

Oil and Filter Change

The recommended oil change interval is 30 hours, or every 3 months, whichever comes first. Suggested break in oil change is at 20 hours, or one month, whichever comes first. Severe use operation requires more frequent service.

Severe use includes continuous duty in dusty or wet conditions, and cold weather riding.

NOTE: Severe use cold weather riding is all riding below 10°F(-12°C), AND RIDING BETWEEN 10°F(-12°C) AND 30°F(0°C) when most trips are slow speed and less than 5 mph (8km/h). Be sure to change the oil filter whenever changing oil



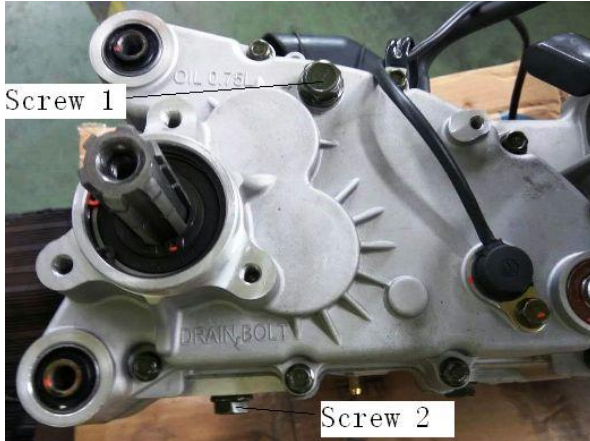
CAUTION

Oil may be hot. Do not allow hot oil to come into contact with skin as severe burns may result

1. Place vehicle on a level surface, lock the parking brake;
2. Run engine two or three minutes until warm, Stop engine;
3. Clean area around drain plug;
4. Place a drain pan beneath engine crankcase and remove drain plug;
5. Allow oil to drain completely;
5. Replace sealing washer O-ring of drain plug;
6. Reinstall drain plug and torque to 14ft.lbs (19N.m)

15. MAINTENANCE

Transmission Lubrication



The transmission fill plug is located on the right side of the machine.

The transmission lubricant level should be checked monthly or 20 hours, whichever comes first. Transmission oil should be changed annually. The correct transmission lubricant to use is SEA 80W/90GL5 Lubricant.

Transmission Oil Changing Procedure

1. Remove the screw (1)
2. Remove the screw (2) and drain the oil. Catch and discard used oil properly.
3. Clean and reinstall the screw (2) torque to 12-16 ft.lbs. (17-23Nm)
4. Add the correct amount of SAE SEA 80W/90GL5 Lubricant 300ml
5. Clean and reinstall the screw (1) torque to 12-16 ft.lbs. (17-23Nm)
6. Check for leaks.

15. MAINTENANCE

WARNING

Operating your ATV with worn tires, improperly inflated tires, non-standard tires or improperly installed tire will affect vehicle handling which could cause an accident resulting in serious injury or death.

Follow the safeguards listed below to prevent this type of situation.

Important Safeguards

Maintain proper tire pressure according to charts below. Improper tire inflation may affect ATV maneuverability.

Do not use improper tires. The use of non-standard size or type tires may affect ATV handling.

Make certain the wheels are installed properly. If wheels are improperly installed it could affect vehicle handling and tire wear.

Wheel Removal Procedure.

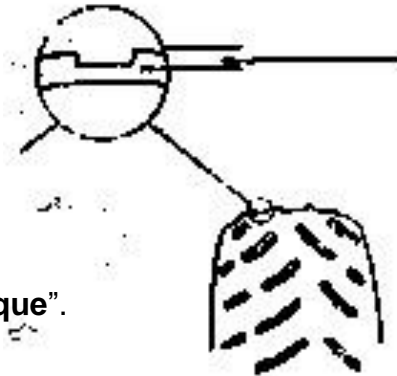
1. Stop the engine, lock the parking brake.
2. Loosen the wheel nuts slightly.
3. Elevate the side of the vehicle by placing a suitable stand under the footrest frame.
4. Remove the wheel nuts and remove the wheel.

Tire Pressure	
front	rear
48kPa / 7PSI	48kPa / 7PSI

15. MAINTENANCE

Wheel Installation

1. With the parking brake locked, place the wheel in the correct position on the wheel hub. Be sure the valve stem is toward the outside and rotation arrows on the tire point toward rotation.
2. Attach the wheel nuts and finger tighten them.
3. Lower the vehicle to the ground.
4. Securely tighten the wheel nuts according to the chart found in **"15.MAINTENANCE/Wheel Nut Torque"**.



Tire Inspection

When replacing a tire always use original equipment size and type.

Tire Tread Depth

Always replace tires when tread depth is worn to 1/8" (3mm) or less. Please refer to your Owner's Manual for tire specifications.

15. MAINTENANCE

Chain

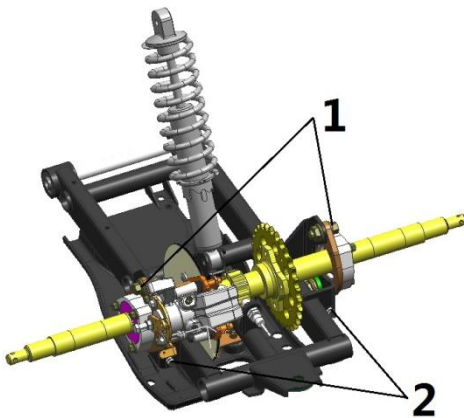
Use proper lubricants

Apply proper type spray-on chain lubricant thoroughly inside and outside plates and rollers of chain. Move ATV as needed to access entire chain.

Inspection

1. At the center point between the two sprockets, push and pull the chain and note total flex. If flex is more than 1/2”(12mm), adjust chain. Refer to **Adjustment**.
2. Inspect chain sprocket for wear.
3. if sprockets are worn, replace sprockets and chain as a set.
4. Replace guards if damaged.

Adjustment



1. Loosen, but do not remove, the four mounting bolts(1).
2. Turn the chain adjuster (2) to obtain 1/4(6mm)” to 3/8”(10mm) chain flex. To tighten the chain, turn the chain adjuster(2) clockwise. To loosen the chain, turn the chain adjuster(2) count clockwise and push the rear axle forward.
3. Securely tighten the mounting bolts(1).

Torque Specifications: 63-66Ft.Lbs (85-90N.m)

4. Recheck the chain tension. Refer to **Inspection**.

15. MAINTENANCE

Removal

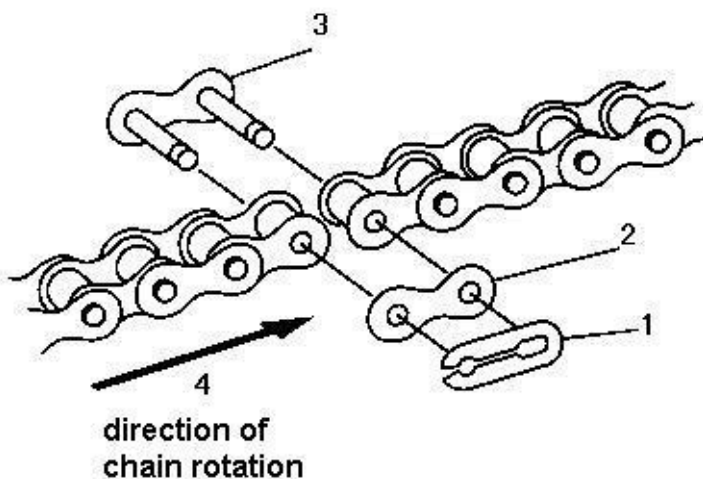
1. Rotate rear wheel to place master link(3) in accessible position between two sprockets.
2. Slide the retaining clip (1) of the master link(3) and remove clip and side plate(2).
3. Slide master link out and remove the chain.

Installation chain

1. Slide the pin portion of the master link(3) in to each end of chain to be connected.
2. Slide the side plate(2) portion of the master link on to the pins.
3. Slide the retaining clip(1) on to the pins until clip snaps securely in to place.

CAUTION

The master link should be installed with the open end of the retaining clip (1) facing away from direction of chain rotation(4).



15. MAINTENANCE

Headlight Replacement

WARNING

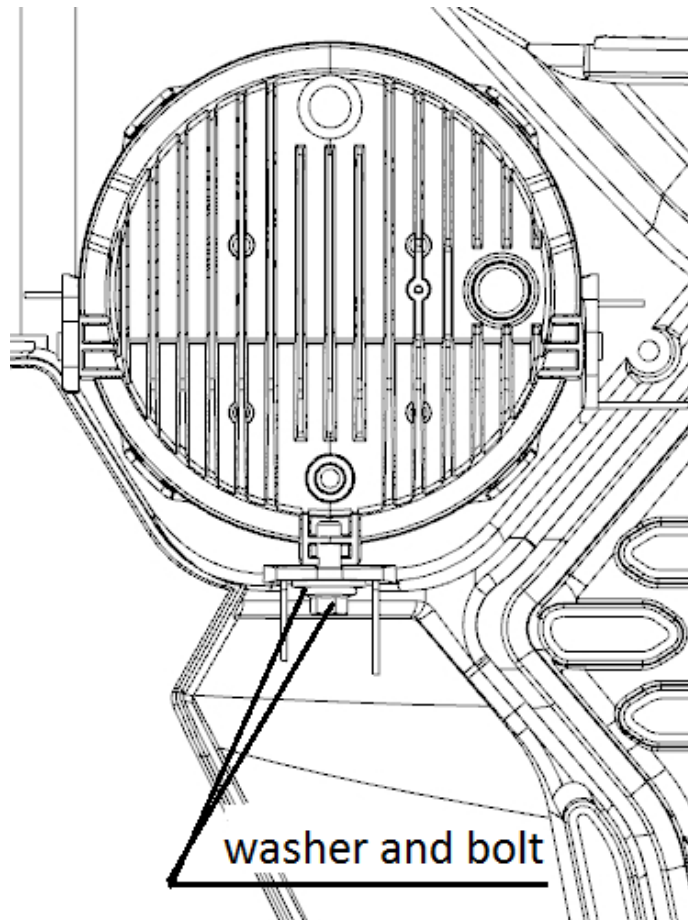
Keep your headlights and taillights clean. Poor light while riding can result in an accident causing severe injury or death.

CAUTION

Do not service while headlight is hot. Serious burns may result.
Do not touch the lamp with bare fingers. Oil from your skin leaves a residue, causing a hot spot which will shorten the life of the lights.

15. MAINTENANCE

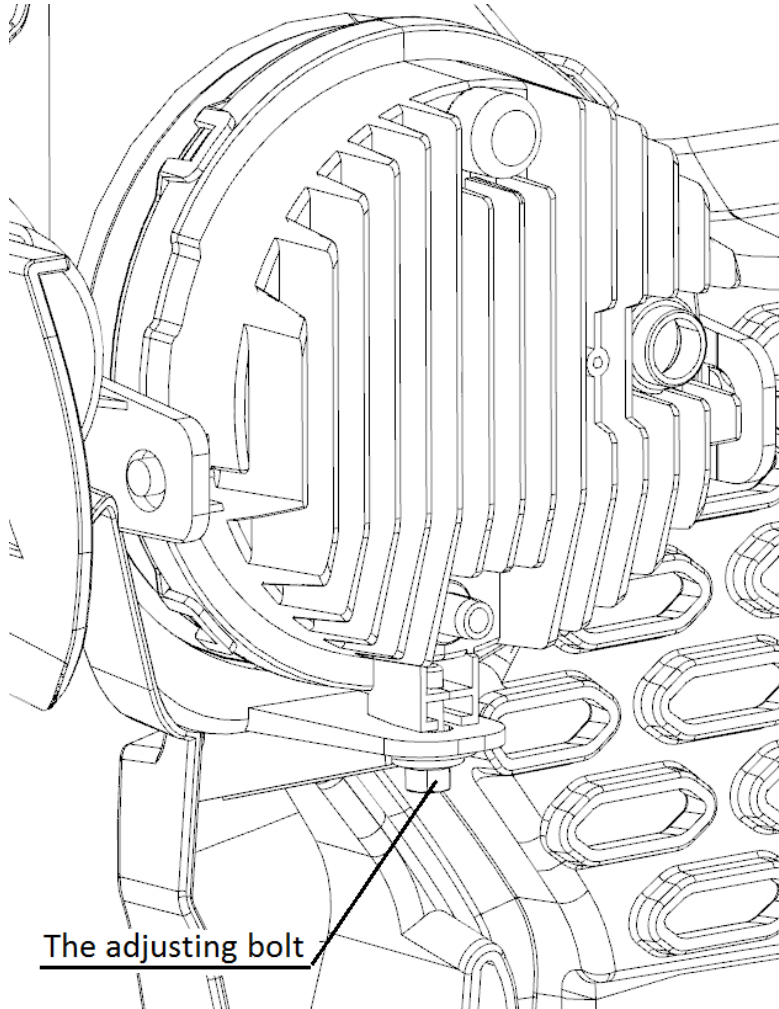
Headlight Replacement (Option 1)



1. Unplug the connector of the light;
2. Remove the bolt and washer;
3. Remove the headlight from the cover ;
4. Install a well headlight to the cover ;
5. Install the washer and bolt;
6. Connect the connector to wire harness.

15. MAINTENANCE

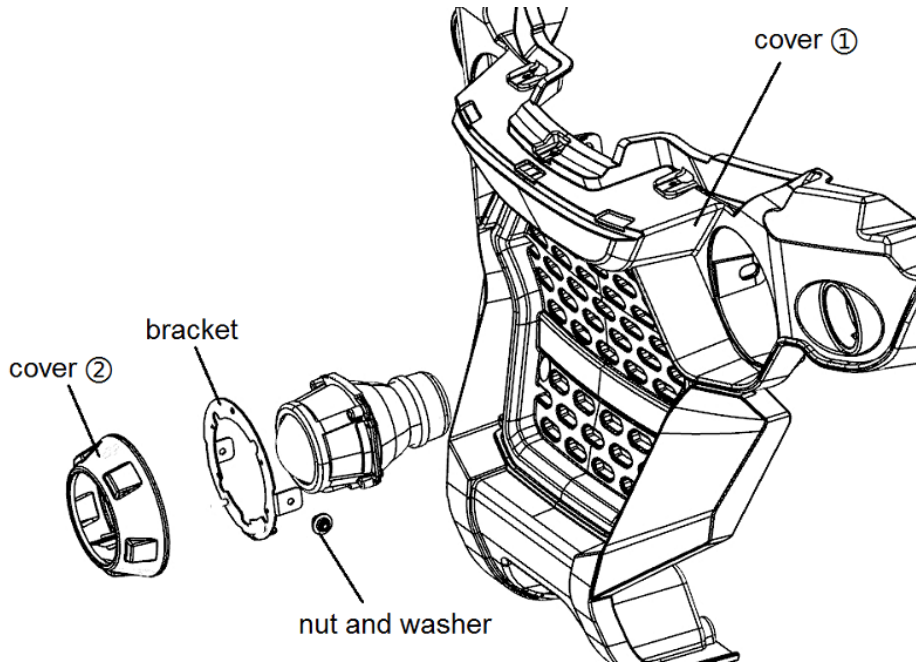
Headlight Adjust (Option 1)



To lower headlight brightness cut-off line, turn adjusting bolt backward. And to raise brightness cut-off line, turn the bolt forward.

15. MAINTENANCE

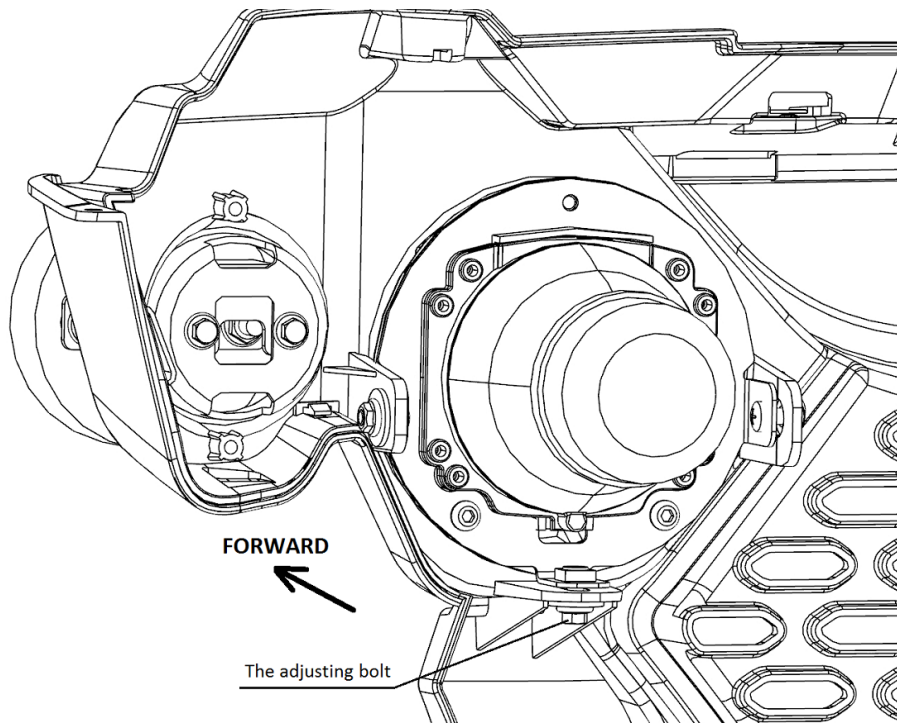
Dipped Headlight Replacement (Option 2)



1. Unplug the connector of the light and remove the nuts and washers from the cover ①;
2. Remove the cover ② from the bracket of dipped headlight;
3. Remove the dipped headlight from the bracket ;
4. Install a well dipped headlight to the bracket ;
5. Install the cover ② to the bracket;
6. Install the bracket to the cover ①;
7. Connect the connector to wire harness.

15. MAINTENANCE

Dipped Headlight Adjust (Option 2)

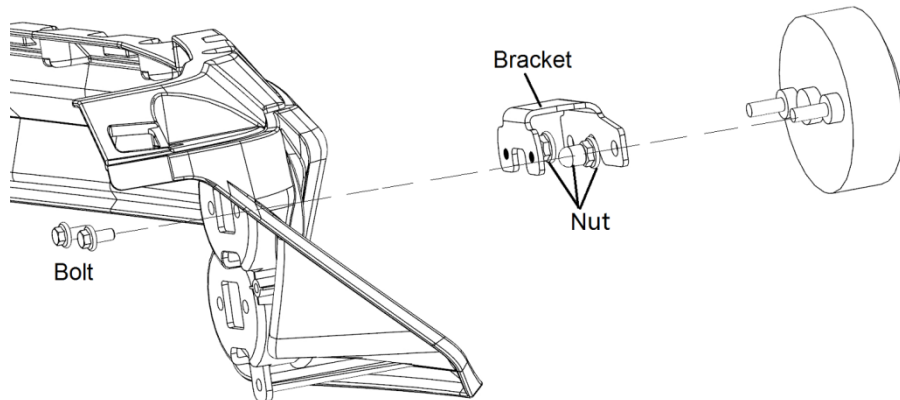


To lower headlight brightness cut-off line, turn adjusting bolt backward. And to raise brightness cut-off line, turn the bolt forward.

15. MAINTENANCE

Taillight/Brake light Lamp and Rear Direction Indicator Replacement

If the taillight / brake light or rear direction indicator does not work, the light may need to be replaced.



1. Unplug the connector and Remove two Bolts from the cover .
2. Remove two Nuts and a blind nut from the bracket of the light and take-off the light.
3. Install a well Light to the bracket..
4. Install the bracket to the cover and Connecting the connector to wire harness.

15. MAINTENANCE

Cleaning Your ATV

Keeping your ATV clean will extend the life of various components.

Washing

Never use a high pressure type car wash system, it can damage to the wheel bearings, transmission seals, body panels, brakes and warning labels, and water might enter the engine or exhaust system.

The best and safest way to clean your ATV is with a garden hose and a pail of mild soap and water. Use a professional type washing mitten, cleaning the upper body first and lower parts last. Rinse with water frequently and dry with a chamois to prevent water spots. **NOTE:** If warning labels are damaged, contact your dealer for replacement.

Waxing

Your ATV can be waxed with any non-abrasive automotive paste wax. Avoid the use of harsh cleaners since they can scratch the body finish.

CAUTION

Certain products, including insect repellants and chemicals, will damage plastic surfaces. Care must be taken when using these products plastic surfaces.

15. MAINTENANCE

Storage Tips

CAUTION

Do not start the engine during the storage period. This will disturb the protective film created by fogging.

Cleaning——Clean the ATV thoroughly.

Oil Add and Filter Change——Warm the engine and change oil and filter.

Air Filter/Air Box——Inspect and clean or replace the air filter element. Clean the air box.

Inspect All Fluid Levels——Inspect the following fluid levels and change if necessary: transmission; brake fluid (change every two years or as required if fluid looks dark or contaminated).

Fog the Engine——Spray a light oil into the cylinder through the spark plug hole.

Check and Lubricate Cables/Grease——Inspect all cables and lubricate.

Battery Maintenance——Remove the battery and Apply dielectric Grease to the terminal bolts and terminals. Charge the battery.

Storage Area/Covers——Set tire pressure and safely support the ATV with the tires 1-2"(25-50mm) off the ground. Be sure the storage area is well ventilated. Cover the machine with a ATV cover.

NOTE: Do not use plastic or coated materials. They do not allow enough ventilation to prevent condensation, and may promote corrosion and oxidation.

15. MAINTENANCE

Transporting

Whenever the ATV is to be transported the following measures should be taken.

1. Turn off the engine and remove the key.
2. Be certain the fuel cap, oil cap, and seat are installed correctly.
3. Always tie the frame of the ATV to the transporting until securely using suitable straps or rope.

16. TROUBLESHOOTING

Issues of Improper Operation Belt Burning

Possible Causes	Solutions
Loading the ATV into a pickup or tall trailer	Never operate ATV on hills steeper than 15%.
Starting out going up a steep incline	Dismount the ATV after first applying the park brake and perform the "K" turn as described in this manual.
Driving at low RPM or low ground speed (at approximately 3-5MPH/ 5-8km/h)	Drive at higher speed
Insufficient warm-up of ATV's exposed to low ambient temperatures.	Warm engine at least 5 min. The belt will become more flexible and prevent belt burning.
Slow and easy clutch engagement.	Fast, effective use of the throttle for efficient engagement.
Stuck in mud or snow.	Shut off the engine and dismount, pull the ATV out of the mud.

Battery Wane

Possible Causes	Solutions
Starting a faulty engine for long time	See "8.STARTING THE ENGINE" And check the fuel/ air/ ignition/ compression system
Let the main switch (key) on while parking the ATV	When stopping the engine turn off the main switch (key) off at once

16. TROUBLESHOOTING

NOTE:

The following troubleshooting does not cover all the possible causes of trouble. It should be helpful, however, as a guide to troubleshooting. Refer to the relative procedure in this manual for inspection, adjustment and replacement of parts. Adjustment and replacement must be done by your dealer.

STARTING FAILURE/ HARD ATARTING FUEL SYSTEM

Fuel tank

- Empty
- Clogged fuel tank breather hole
- Deteriorated fuel or fuel containing water or foreign material

Throttle body

- The connect not good

Auto choke

- Starter plunger malfunction
- Wax malfunction

Air cleaner

- Clogged air cleaner element
- Improper air cleaner setting

COMPRESSION SYSTEM

Cylinder and cylinder head

- Loose spark plug
- Loose cylinder head
- Broken cylinder head gasket
- Broken cylinder gasket
- Worn, damaged or seized cylinder

Piston and cylinder head

- Worn piston
- Worn, fatigued or broken piston ring
- Seized piston ring
- Seized or damaged piston

Valve system

- Improperly adjusted valve clearance
- Improperly sealed valve
- Improperly contacted valve and vale seat
- Improper valve timing
- Broken valve spring
- Seized valve

16. TROUBLESHOOTING

IGNITION SYSTEM

Battery

- Improperly charged battery
- Faulty battery

Fuse

- Burnt out, improper connection

Spark plug

- Improper plug gap
- Worn electrodes
- Wire between terminals broken
- Improper heat range
- Faulty spark plug cap

Ignition coil

- Broken or shorted primary/secondary coil
- Faulty high tension cord
- Broken ignition coil body

Ignition system

- Faulty igniter unit
- Faulty pick up coil
- Broken magneto woodruff key

Switch

- Faulty main switch
- Faulty "ENGINE STOP" switch
- Faulty brake switch

Wiring

- Loose battery terminal
- Loose coupler connection
- Improperly grounded
- Broken wire harness

POOR IDLE SPEED PERFORMANCE

EFI

- the fuel pressure not correct
- fuel filter clogging
- fuel injector clogging

Air cleaner

- Clogged air cleaner element

Ignition system

- Faulty spark plug
- Faulty high tension cord
- Faulty ignitor unit
- Faulty pick up coil
- Faulty ignition coil

Valve system

- Improperly adjusted
- valve clearance

16. TROUBLESHOOTING

POOR MEDIUM AND HIGH SPEED PERFORMANCE

EFI

- the fuel pressure not correct
- fuel filter clogging
- fuel injector clogging

Air cleaner

- Clogged air cleaner element
-

POOR SPEED PERFORMANCE

Ignition system

- Dirty spark plug
- Improper heat range
- Faulty igniter unit
- Faulty pick up coil

Fuel system

- Clogged fuel cleaner element
- Clogged jet
- Improperly adjusted fuel level

Compression system

- Worn cylinder
- Worn or seized piston ring
- Cylinder head gasket broken
- Cylinder gasket broken
- Carbon deposit build up
- Improperly adjusted valve clearance
- Improperly contacted valve and valve seat
- Faulty valve timing

Clutch

- Refer to “CLUTCH SLIPPING /DRAGGING” section

Engine oil

- Improperly oil level(low or over Oil level)

Ignition system

- Faulty spark plug
- Faulty high tension cord
- Faulty igniter unit
- Faulty pick up coil
- Faulty ignition coil
- Improperly adjusted valve clearance

16. TROUBLESHOOTING

OVER HEATING OR OVER-COOLING

Ignition system

- Improperly spark plug gap
- Improper spark plug heat rang
- Faulty igniter unit

Compression system

- Heavy carbon deposit build-up
- Improperly adjusted valve timing
- Improperly adjusted valve clearance

Engine oil

- Incorrect engine oil level
- Improper engine oil quality (High viscosity)
- Low engine oil quality

Brakes

- Dragging brake

16. TROUBLESHOOTING

FAULTY CLUTCH

WHEN ENGINE RUN, ATV DOES NOT RUN

V belt

- Worn/bent/slipping

Cam, slider

- Worn/damaged

Compression spring

- Damage

Gears

- Damage

POOR SPEED PERFORMANCE

V-belt

- Worn
- Oil V belt

Roller weight

- Worn/improper operation
- Primary/secondary/sheave

CLUTCH SLIPPING

Clutch weight spring

- Worn/damaged

Clutch shoe

- Worn/ damaged

Primary sliding sheave

- Seized

POOR STARTING PERFORMANCE

V-belt

- Slipping/oily V-belt

Primary sliding sheave

- Improper operation
- Damage
- Compressing spring

Secondary sliding sheave

- Improper operation

Worn guide pin groove

- Worn guide pin

Clutch shoe

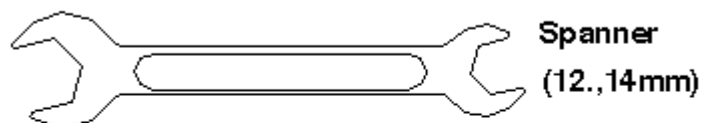
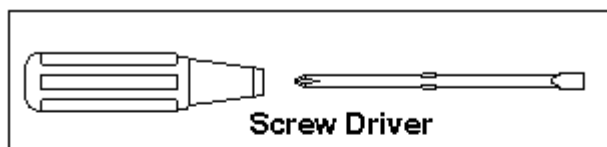
- Worn/ bent

FAULTY BRAKE

POOR BRAKING EFFECT

- Worn front hub bearing
- Worn brake pad or lining
 - Worn brake disc or drum
 - Air in brake fluid
- Leaking brake fluid
- Faulty master cylinder kit
- Faulty caliper seal kit
- Loose union bolt
- Broken brake hose
- Oily or greasy brake pad or lining
- Oily or greasy brake disc or drum

17. Tool



18. SPECIFICATION

Capacities		
Fuel capacity	8.35L	2.206U.S.Gal
Engine Oil Capacity	1050 ml	0.92Quarts
Turn Radius	3600mm	141 inch
Height	1325mm	52 inch
Length	2058mm	81inch
Width	1048mm	41inch
Seat height	800mm	31.5 inch
Wheel Base	1180mm	46.5 inch
Dry Weight	208kg	457.5 lbs
Load Capacity(Combined Rider& Payload)	180kg	396 lbs
Drive System		
Drive System	CVT	
Front Tire	21×7-10	
Rear Tire	22×10-10	
Tire Pressure(front)	48kPa	7PSI
Tire Pressure(rear)	48kPa	7PSI
Brake System		
Service Brake	Front Brake	Hydraulic Disc
	Rear Brake	Hydraulic Disc
Parking Brake	Front Brake	/
	Rear Brake	Mechanics Lock

18. SPECIFICATION

Engine	
Engine Type	4Stroke, Single Cylinder, OHC LH1P63FMK-2
Bore x Stroke	62.5mm × 57.8 mm
Displacement	177.3ml
Starter System	Electric starting
Ignition Coil	ECU
Engine Cooling	Air-Cooled
Lubrication System	Wet Sump
Ignitions	EFI
Spark Plug Type	CR7HSA(NGK)

Electrical Equipment	
Battery	12V 9Ah
Head light	12V LED
Brake/ Tail Light	12V LED

