



SHARK®
PROFESSIONAL ACCESSORIES

SHARK ATV/UTV Snow Plow

52" (132 cm) / 60" (152 cm)

(MODEL 2020)

Instruction & Assembly Manual



Congratulations on your purchase of a SHARK Universal Plow System!

You've just purchased the most durable plow system in the industry. SHARK Universal Plow System works great for all types of plowing. With proper care and maintenance, your plow system will last for years to come!

The SHARK Universal Plow system attaches to your ATV using Universal Adapter, which allows you to push snow or landscape materials. It is designed to fit most ATV/UTV models with 350cc engines or larger. The blade pivot design allows the operator to select multiple angled left-or-right positions.

SHARK Universal Plow System is designed to trip forward when it hits a solid object to prevent damage to the plow blade, operator or frame. When the pressure on the plow is released, it will return to its original position by itself.

Specifications

Universal Adapter	Length: 1050 mm	Width: 380 mm	Weight incl. packaging: 21 kg
SHARK 60" Plow	Width: 1 524 mm	Height: 533 mm	Weight incl. packaging: 38 kg
SHARK 52" Plow	Width: 1 315 mm	Height: 480 mm	Weight incl. packaging: 28 kg

WHAT'S IN THE BOX

Make sure the following items are included with your SHARK Universal Plow System:

- Snow Plow 60" or 52" incl. mounting hardware
- Universal Adapter & Mounting Kit + mounting hardware

Shark Plow System requires additional components for operation:

- Winch Kit *
- Electric Winch / Lift *

*These components may be specific to your vehicle.

Tools required for Assembly:

- Socket wrench or Open-Ended Spanner: 13/17/18/19/24 mm
- 6 mm Allen key

Please read and understand all assembly instructions, notices and warnings before assembling and operating your plow system.

Follow all safety messages to avoid or reduce the risk of serious injury or death.

Follow these guidelines to ensure safe operation:

- Read this manual and your ATV operator's manual before use. Follow all warnings and notices.
- Before first use, set plow in the furthest right or left angled position to check for clearance between the plow and front tires.
- Operate with extreme caution on slopes and rough terrain. Be familiar with the area before you plow.
- Be aware of immovable objects that could be hidden in the area you are plowing.
- To avoid damage when pushing snow into a pile, reverse direction before raising the plow blade.
- Do not ram the plow blade into piles of snow.
- For best results, set the suspension preload of your ATV to the stiffest setting.
- To reduce steering effort and increase mobility, set the air pressure of your tires to the maximum pressure.
- The plow blade assembly is designed to "spring" when it strikes an object or digs in too far. When pressure is released, the plow springs back into position. Spring tension can be increased by tightening the locknuts on the bottom of the eyebolts. For less spring tension, loosen the locknuts.
- The plow skids are adjustable. General skid setting is even with the plow wear bar bottom edge, higher settings reduce the chance of rocks and gravel from being collected. *More information in this manual.*
- Periodically check for wear and tightness of all fasteners. Replace or re-torque fasteners as necessary.
- To increase traction during plowing, operator can try: Securing weight to the ATV for additional tire down force, reducing tire air pressure, or installing tire chains.

SAFETY INFORMATION

Our plow systems were designed with your safety in mind. Please read and understand all Cautions, Notices and Warnings in this manual before you begin. In order to protect you and your ATV, certain parts of the plow system and/or hardware are designed to fail when the equipment is over-stressed.



WARNING

To avoid personal injury or damage to your vehicle:

Do not exceed 8 km/h, even with the blade raised

Be aware that vehicle ground clearance is reduced with plow system installed

Keep yourself, other people and pets away from the blade and moving parts during operation

Before adjusting blade angle or disconnecting the plow, stop the engine and set the parking brake.

Remove your plow system before trail riding.

Do not install forward mount system over plastic guard components, which can compress over time and loosen the installation, resulting in poor product performance and/or damage to the ATV/UTV.

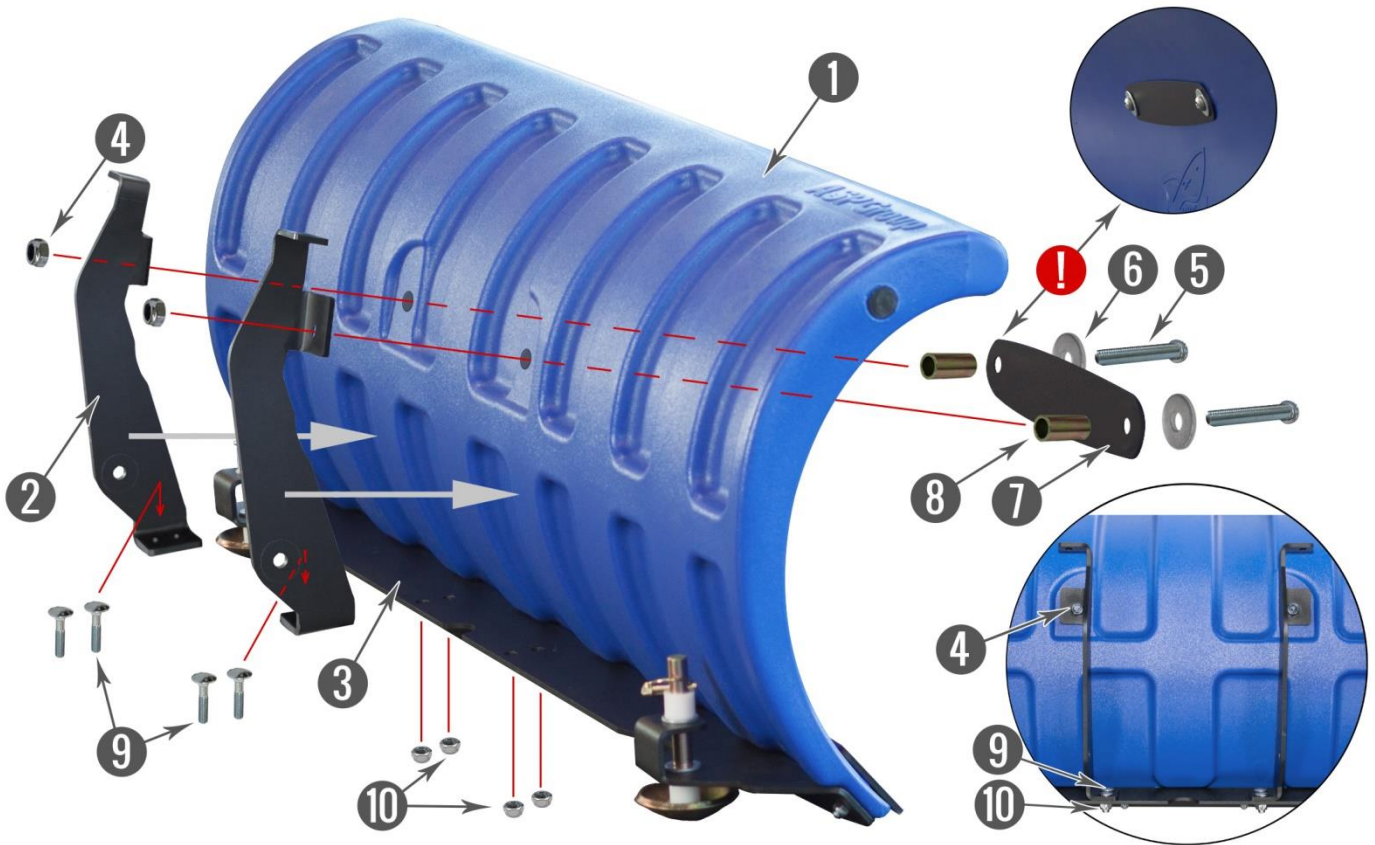
Do not allow forward mount system to interfere with ATV operational items such as brake lines, coolant hoses, control cables, steering or any other function.

Be sure to lock the adapter's Pipe Linch pins by turning the resilient catch each time the blade is attached.

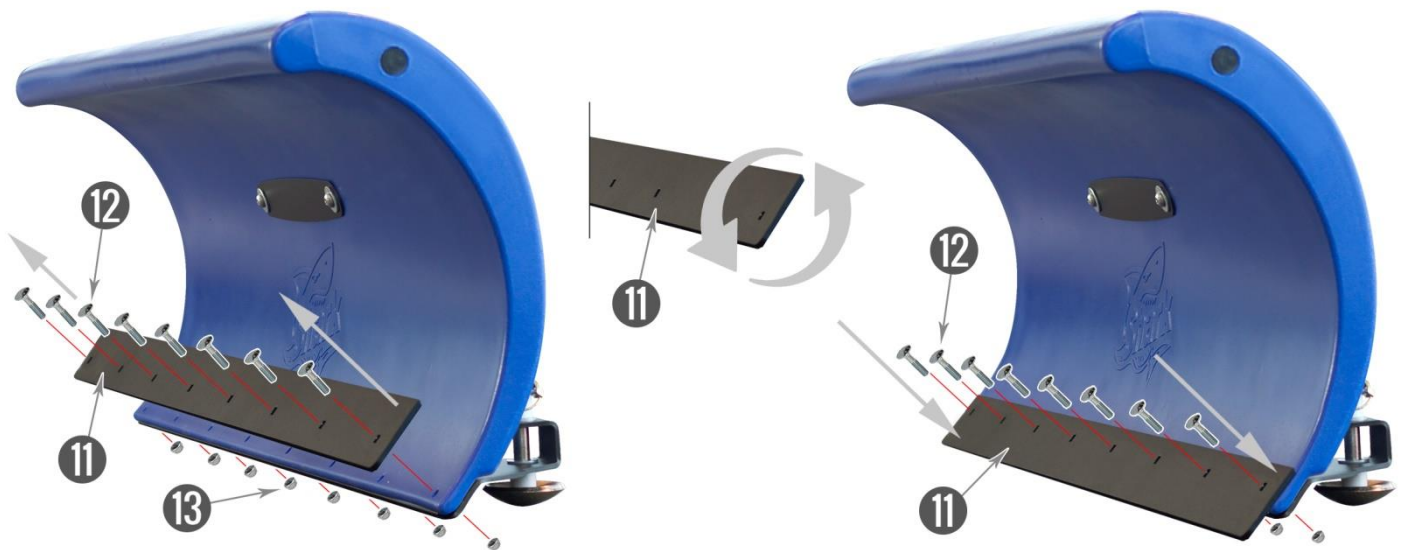
BEFORE YOU BEGIN:

- Read and understand all instructions.
- Verify all parts and tools required.
- Follow all steps correctly and in the sequence described.

PLOW BLADE ASSEMBLY

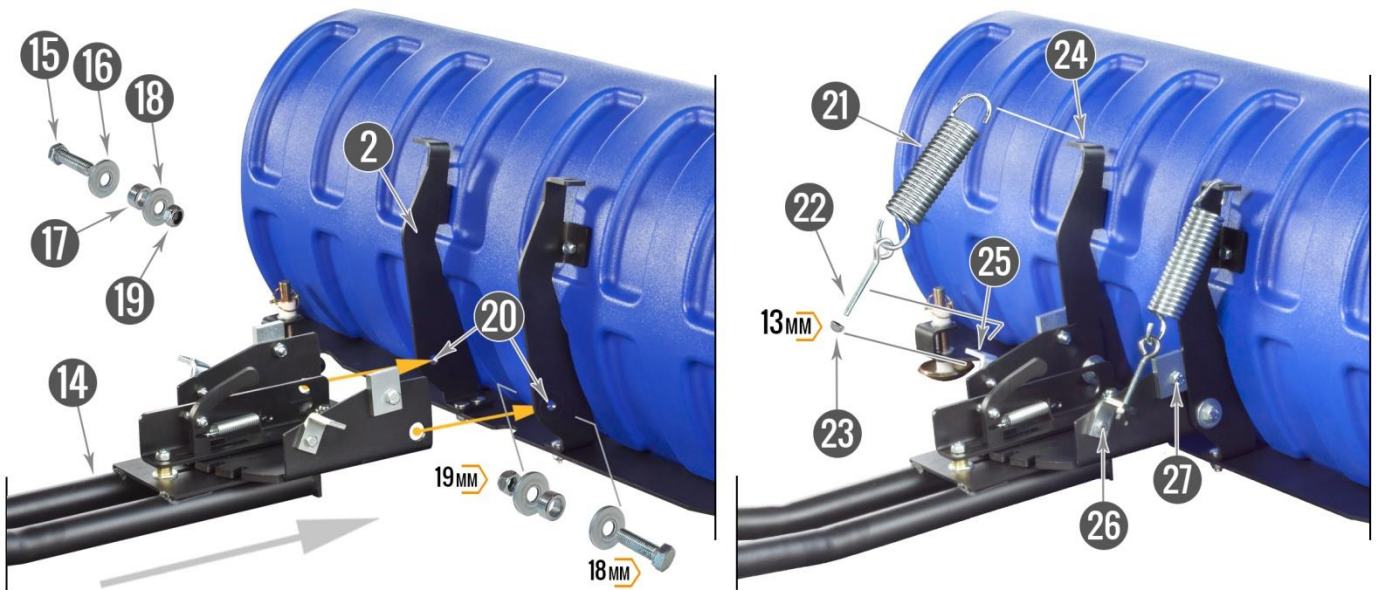


Remove blade (1) and both blade gussets (2) from the package. Remove bolts (9) and locknuts (10) from the gussets. To attach the gusset, first unscrew locknut (4) from the blade. **CAUTION: (!) Hold the bolt (5) and washer (6) in place so that spacer ring (8) does not fall inside the blade.** Place gusset (2) on the bolt (5) and screw on the locknut (4). Leave locknut (4) untightened by 1-2 turns. Place gusset (2) on the base plate (3) and tighten with bolts (9) and locknuts (10). Leave locknuts (10) untightened by 1-2 threads. Repeat the process to attach the other gusset.



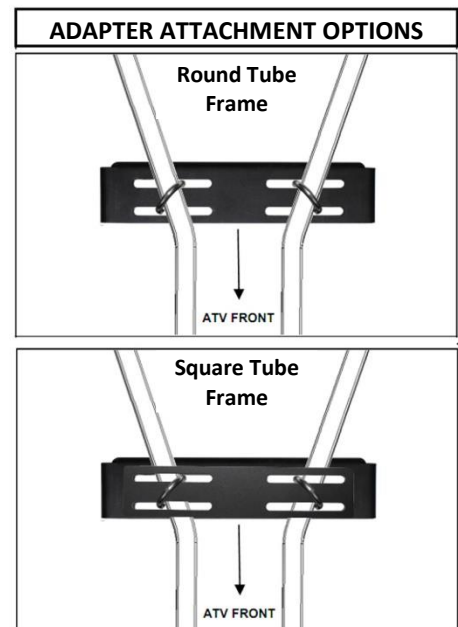
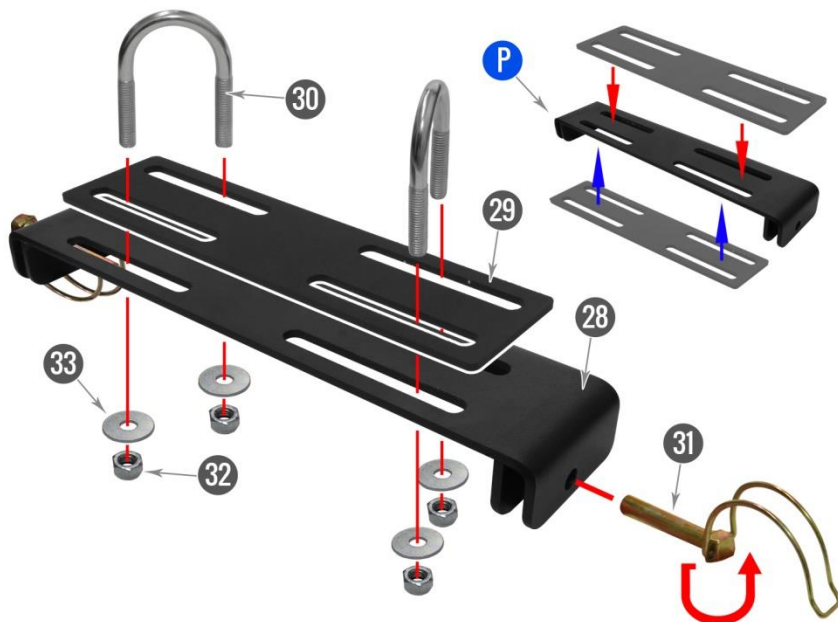
For transport, the Wear Bar (11) is delivered in reversed position. Therefore it's necessary to flip around the wear bar on the blade first. Remove bolts (12) and locknuts (13), rotate Wear Bar (11) as shown and reattach it using bolts (12) and locknuts (13). Tighten locknuts (4), (9), (10), (12) and (13) - see also previous illustration.

ATTACHING ADAPTER TO THE BLADE



Unpack adapter (14) and plow springs (21). Loosen and remove bolts (15), washers (16) and (18), locknuts (19), spacers (17), eyebolts (22) and locknuts (23) from adapter. Attach adapter to the holes (20) as shown. Insert bolt (15) and washer (16) from the outside, insert spacer (17) and washer (18) from the inside and tighten locknut (19). The same also on the other side. Tighten the screws (26) and (27) on both sides, leave them loose by 1 - 2 threads. Insert upper spring eye (21) into upper hole (24) of gusset (2). Attach eyebolt (22) into the lower spring eye and thread eyebolt through the hole (25). Screw locknut (23) onto eyebolt from below. Repeat process on the other gusset. Tighten eyebolt locknuts (23) so that springs are just slightly tensioned. Tighten the screws (26) and (27) fully on both sides.

MOUNTING KIT ASSEMBLY

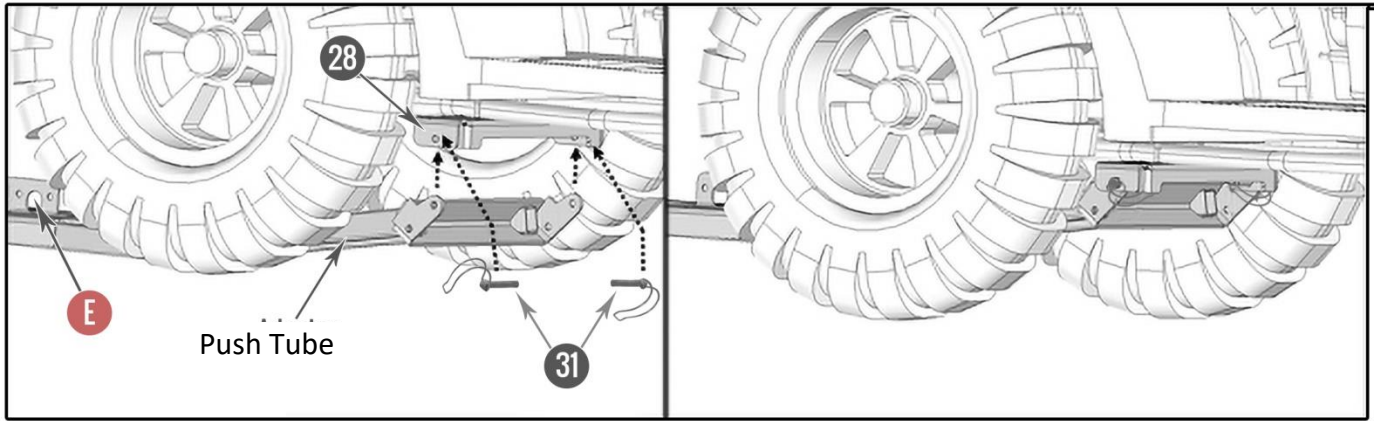


Remove bracket (26) from adapter by sliding the pipe linch pins with spring lock (31). Remove locknuts (32), washers (33) and U-bolts (30), which you will later use to attach the bracket (28). If necessary - depending on the frame type of your ATV - use plate (29), see fig. "ADAPTER ATTACHMENT OPTIONS".

Note: Depending on your ATV model, some plastic covers or guards may need to be modified before installing the adapter.

(P) If you attach adapter on a tubular frame not using plate (29), we recommend placing this plate under the bracket (26) to strengthen the construction. In this case place plate (29) from bottom of the bracket (28) using washers (33) and locknuts (32).

ATTACHING THE PLOW



Place push tube (adapter) under the ATV as shown and insert it into the mount plate (28). Attach the push tube to the mount plate by supplied pipe linch pins (31). **Be sure to secure linch pins spring locks!** Finally, insert winch hook into the hook attaching point (E), lift the plow off the ground using the winch and check if everything works fine.

PLOW ADJUSTMENT

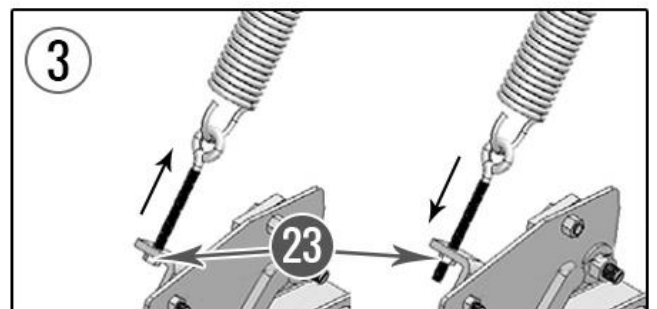
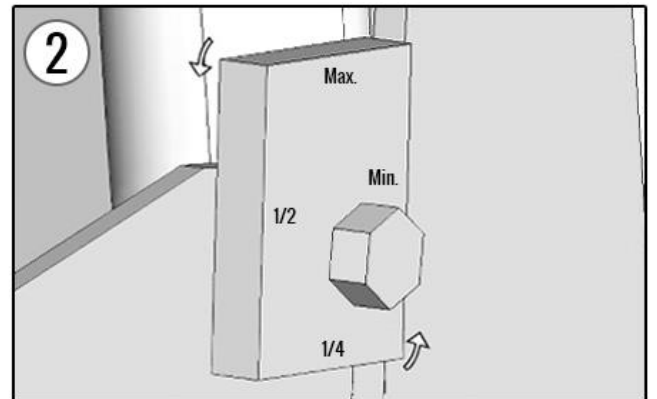
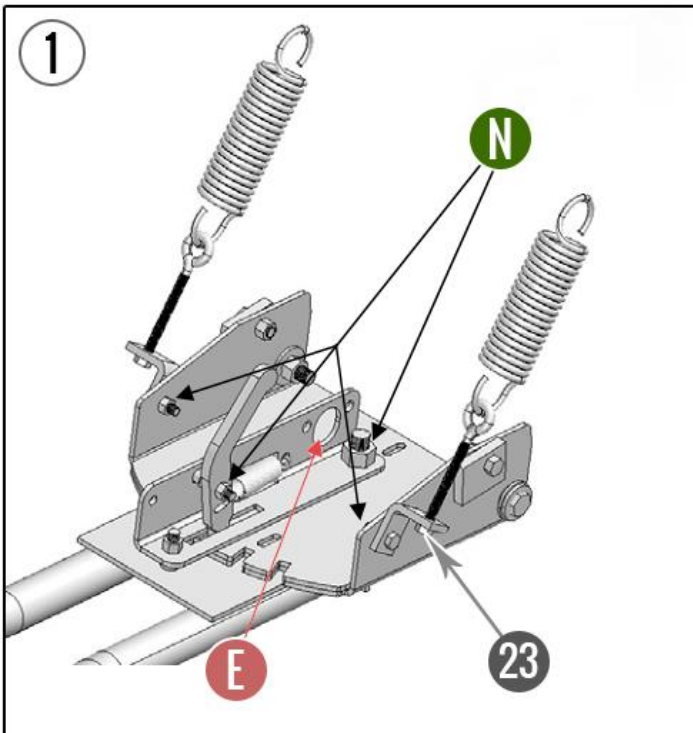
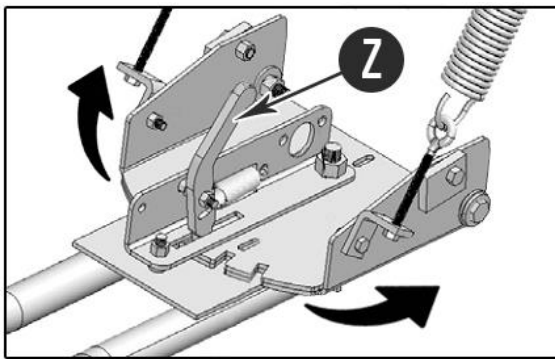


Fig. ①: Loosen (N) marked nuts by approx. 1-1/4 turn to allow smooth operation and longer service life.

Fig. ②: **Blade stop adjustment.** Blade should be positioned vertically for the best performance. As each ATV/UTV has different ground clearance, blade pitch angle can change too. Therefore it may be necessary to adjust blade pitch angle using adjustable blade stops as shown in Fig. 2. Adjust pitch angle only with blade in the down position. You can rotate the blade stop easier if you loosen locknuts (23). After adjusting correct blade pitch angle adjust plow spring tension.

Fig. ③: **Plow springs tension adjustment. Initial blade spring tension:** To adjust the initial spring tension, tighten nuts (23) so that both springs are under slight tension. Spring tension can be further adjusted depending on quality of surface you want to plow. For rough surface set less spring tension so that blade can easily trip forward when it hits a solid object to avoid damage to the blade/adapter or frame. On smooth surfaces, the spring tension can be set stiffer to ensure smooth, efficient and quality plowing as the blade bounces less. For desired tension, tighten or loosen eyebolt nuts (23). **CAUTION: Incorrect plow spring tension can damage adapter, blade or frame, or can shorten the life of blade / adapter.**



BLADE ANGLE ADJUSTMENT

The plow system has 5 positions for blade angle settings. To adjust, raise the plow from the ground using the winch, then push down on the handle (Z) and rotate your blade left or right until you reach the desired angle. Make sure handle is locked in before plowing.

CAUTION:

- Regularly check all fasteners and adapter lynch pin locks.
- During transport, blade must be raised in the transport position so that it does not block the headlights.
- Incorrect plow spring tension may reduce blade life.
- To avoid damage when plowing delicate surfaces such as interlocking tiles, we recommend you to use rubber wear bars:

Part No.: 10-0224 for 132cm Plow

Part No.: 10-0225 for 152cm Plow.

If in doubt, consult your authorized Shark dealer.



Official distributor:

ASP Group s.r.o.
Staroplzenecka 290
326 00 Letkov
Czech Republic
Tel.: +420 378 21 21 21

Email: info@aspgroup.cz
Web: www.aspgroup.cz



ASP Group s.r.o. reserves the right to make technical and/or design changes at any time without prior notice. In case of any questions please contact your Shark dealer.

© 2019 Copyright ASP Group s.r.o.

All rights reserved. The content of this manual, any illustrations, technical information and descriptions within this document were correct at the time of going to print. ASP Group s.r.o. reserves the right to make any changes necessary, without notice, in line with the policy of continuing product development and improvement. No part of this publication may be duplicated, reprinted, stored in a data processing system or transmitted by electronic, mechanical, photographic or other means, or recorded, translated, edited, abridged or expanded without the prior written consent of ASP Group s.r.o.

ES PROHLÁŠENÍ O SHODĚ (originál)

EC declaration of conformity (the original)

Výrobce / Manufacturer:	ASP Group s.r.o.
Adresa / Address:	Staroplzenecká 290, Letkov, 326 00, Czech republic.
IČ / ID:	26320509
Jméno a adresa osoby pověřené sestavením technické dokumentace (podle 2006/42/ES, NV č. 176/2008 Sb.) / Name and address of the person authorised to compile the technical file (according to 2006/42/EC):	ASP Group s.r.o., Staroplzenecká 290, Letkov, 326 00, Czech republic
Výrobek (stroj) – typ / Product (Machine) – Type:	Sněžová radlice SHARK/ Snow blade SHARK
Výrobní číslo / Serial number:	
Popis / Description:	Sněžová radlice SHARK (52" a 60") je připojitelná ke všem typům čtyřkolek/UTV./ Snow blade SHARK (52" and 60") is connectable to all types of quads / UTV. Technické údaje/ technical data: Šířka/ výška /(width/ hight) SHARK 52": 1315mm/480mm. Šířka/ výška /(width/ hight) SHARK 60": 1524mm/533mm.
Prohlašujeme, že strojní zařízení splňuje všechna příslušná ustanovení uvedených směrnic (NV) / We declare that the machinery fulfils all the relevant provisions of the mentioned Directives (Government Provisions):	Strojní zařízení – směrnice 2006/42/ES, NV č. 176/2008 Sb. / the Machinery Directive 2006/42/EC.
Harmonizované technické normy a technické normy použité k posouzení shody / The harmonized technical standards and the technical standards applied to the conformity assessment:	ČSN EN ISO 12100, ČSN EN ISO 4254-1.
Posouzení shody provedla / The conformity assessment carried out by:	Státní zkušebna zemědělských, lesnických a potravinářských strojů, a.s. / The Government Testing Laboratory of Agricultural, Food Industry and Forestry Machines, Joint-stock company. Třanovského 622/11, CZ-163 04 Praha 6-Řepy, ČR / Czech Republic. Závěrečná zpráva č. / The Final Report No.: 36 401.

Poznámka: Veškeré předpisy byly použity ve znění jejich změn a doplňků platných v době vydání tohoto prohlášení bez jejich citování. / Note: All regulations were applied in wording of later amendments and modifications valid at the time of this declaration issue without any citation of them.

Místo a datum vydání / Letkov, 10.3. 2016
Place and date of issue:

Osoba zmocněná k podpisu za výrobce / Dušan Hřích
Signed by the person entitled to deal in the name of producer:

Jméno / Dušan Hřích
Name:

Funkce / jednatel
Grade: CEO

Podpis /
Signature:

 **ASP Group s.r.o.**
IČO: 26320509
DIČ: CZ26320509
www.aspgroup.cz info@aspgroup.cz