

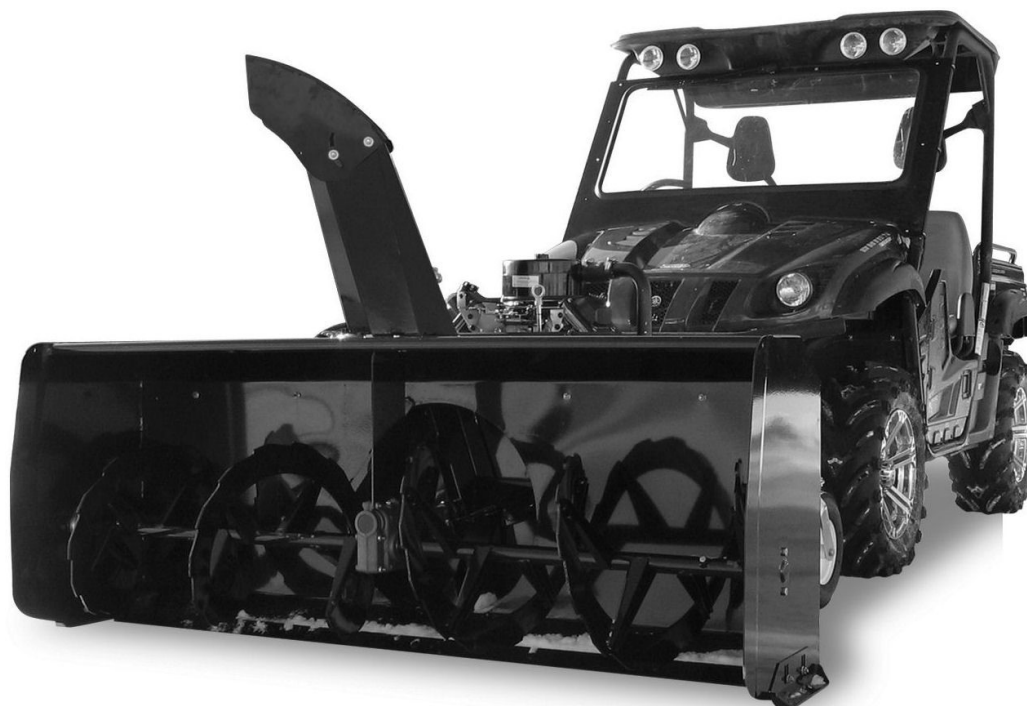


# OWNER'S MANUAL

***Model Number***

*Original Version*

700512-7 66" Snowblower  
700513-7 72" Snowblower



## ***BERCO*** ***VANTAGE 66" & 72" Snowblower*** For ***OFF ROAD UTILITY VEHICLE***

\* ASSEMBLY  
\* OPERATION

\* REPAIR PARTS  
\* MAINTENANCE

### **CAUTION:**

**READ & FOLLOW ALL SAFETY RULES & INSTRUCTIONS BEFORE  
OPERATING YOUR EQUIPMENT**



# LIMITED WARRANTY

## Conditions and Products Covered:

BERCOMAC guarantees any part of the product or accessory manufactured by BERCOMAC and found in the reasonable judgment of BERCOMAC to be defective in material and or workmanship will be repaired or replaced by an authorized dealer without charge up to our maximum labor rates and pre-established times. For replacement parts only standard ground freight services are covered. This warranty extends to the original retail purchaser only and is not transferable to any subsequent purchasers. This warranty applies to the products bought and used in North America.

## Warranty Period

(from date of the original retail purchase)

- Residential use: 1 year
- Semi-commercial, professional or rental use: 90 days

**Exceptions Noted Below;** the following items are guaranteed by the original manufacturer and have their own warranty, conditions and limited time:

- Tire Chains: 90 days
- Engines: Will vary as per the manufacturer  
Please refer to the engine manufacturer's warranty statement included with the unit. BERCOMAC is not authorized to handle warranty adjustments on engines.

## Items and Conditions NOT Covered:

This warranty does not cover the following:

- Pick-up or delivery charges or in-home services fees.
- Any damage or deterioration of the unit, parts and or finish of these due to normal use, wear and tear, or exposure.
- Cost of regular use or maintenance service or parts, such as gas, oil, lubricants, tune-up parts, and adjustments.
- Any part or accessory which has been altered, modified, misused, neglected, accidentally damaged or not properly installed, maintained, stored or repaired not in accordance with the instructions in the owner's manual.
- Repair due to normal wear and or any wear items such as shear pins, bolts, belts, etc.
- Expedited freight fee services for replacement parts.
- Shear bolts and shear pins are to be considered as a preventive measure not as an assured protection, any damages resulting from the lack of shear bolts breakage are not covered.
- Damages due to product being installed on a vehicle other than stipulated in owner's manual.

NOTE: All warranty work must be performed by an authorized dealer using original (manufacturer) replacement parts.

**NOTE:** Bercomac reserves the right to change or improve the design of any part or accessory without assuming any obligation to modify any product previously manufactured.

## Instructions for Obtaining Warranty Services:

Contact dealer where equipment was purchased or any other BERCO service dealer to arrange service at their dealership. Requests for warranty claims must be carried out through the same distribution network used to purchase the product. Don't forget to bring your proof of purchase (sales receipt) to the BERCOMAC dealer.

## Owner's Responsibilities:

BERCOMAC's defective equipment or part must be returned to an authorized dealer within the warranty period for repairs. In the event that defective merchandise must be returned to manufacturer for repairs, freight fees are prepaid and a written authorization from BERCOMAC must be obtained by dealer prior to the shipment. This warranty extends only to equipment operated under normal conditions. To validate a warranty claim, it is the user's responsibility to maintain and service the unit as specified in the owner's manual or to have the unit serviced at their dealer at their expense.

## General Conditions:

The sole liability of BERCOMAC with respect to this warranty shall be strictly and exclusively repair and replacement as mentioned herein. BERCOMAC shall not have any liability for any other costs, loss or damage, including but not limited to, any incidental or consequential loss or damage. Taking advantage of the warranty does not in any way extend the length or renewal of the warranty.

In particular, without being limited to, BERCOMAC shall have no liability or responsibility for:

- Travel time, overtime, after hours time or other extraordinary repair charges or relating to repairs and or replacements outside of normal business hours.
- Rental of like or similar replacement equipment during the period of any, repair or replacement work.
- Any communicating or travel charges.
- Loss or damage to person or property other than that covered by the terms of this warranty.
- Any claims for lost revenue, lost profit or any similar costs as a result of damage or repair.
- Attorney's fees.

BERCOMAC's responsibility in respect to claims is limited to making the required repairs or replacement without charge up to our maximum labor rates and pre-established times and no claim of breach of warranty shall be cause for cancellation or rescission of the contract of sale of any product or accessory. In no event recovery of any kind be greater than the amount of the purchase price of the product sold.

This warranty gives you specific legal rights. You may also have other rights, which vary from state to state.

# TABLE OF CONTENTS

	PAGE
INTRODUCTION .....	1
SAFETY PRECAUTIONS .....	2
SAFETY DECALS .....	4
ASSEMBLY	
Tools Required .....	5
Snowblower Preparation .....	6
Vehicle Preparation .....	7
Preparing the Subframe .....	8
Installing on the Vehicle .....	11
Control Box Installation .....	13
Connecting the winch's limit switch to the winch's relay .....	14
Installing the Spring .....	16
OPERATION	
Snowblower Operation .....	17
Electrical Controls .....	17
Lifting and Lowering the Snowblower .....	17
Burnishing Procedure.....	17
Snowblowing Technique .....	18
Skid Shoe Adjustment .....	18
MAINTENANCE	
Engine Maintenance .....	19
Snowblower Maintenance .....	19
Pressure of the tires on the subframe.....	19
Clearing a Clogged Discharge Chute .....	19
Cutting Edge Maintenance .....	19
Lubrication .....	20
Auger and Fan Shear Bolt Replacement .....	20
Belt Replacement .....	21
Replacing the Augers, Fan and / or Gear Box .....	22
MAINTENANCE & DISMOUNTING .....	23
TROUBLESHOOTING .....	24
PARTS BREAKDOWN AND PARTS LIST	
66" Vantage snowblower with Honda Engine 22hp .....	26
66" Vantage snowblower with Kohler Engine 25hp .....	29
72" Vantage snowblower with Honda Engine 22hp .....	32
72" Vantage snowblower with Kohler Engine 25hp .....	35
Sub assemblies .....	38
TORQUE SPECIFICATION TABLE .....	64
OPTIONS & ACCESSORIES .....	65

# INTRODUCTION

## TO THE PURCHASER

This new accessory was carefully designed to give years of dependable service. This manual has been provided to assist in the safe operation and servicing of your attachment.

**NOTE:** All photographs and illustrations in the manual may not necessarily depict the actual models or attachment, but are intended for reference only and are based on the latest product information available at the time of publication.

Familiarize yourself fully with the safety recommendations and operating procedures before putting the machine to use. Carefully read, understand and follow these recommendations and insist that they be followed by those who will use this attachment.



**THIS SAFETY ALERT SYMBOL IDENTIFIES AN IMPORTANT SAFETY MESSAGE IN THIS MANUAL THAT HELPS YOU AND OTHERS AVOID PERSONAL INJURY OR EVEN DEATH. DANGER, WARNING, AND CAUTION ARE SIGNAL WORDS USED TO IDENTIFY THE LEVEL OF HAZARD. HOWEVER, REGARDLESS OF THE HAZARD, BE EXTREMELY CAREFUL.**

**DANGER:** Signals an extreme hazard that will cause serious injury or death if recommended precautions are not followed.

**WARNING:** Signals a hazard that may cause serious injury or death if the recommended precautions are not followed.

**CAUTION:** Signals a hazard that may cause minor or moderate injury if the recommended precautions are not followed.

Record your attachment serial number and purchase date in the section reserved below (there is no serial number on the subframe). Your dealer requires this information to give you prompt, efficient service when ordering replacement parts. Use only genuine parts when replacements are required.

If warranty repairs are required please present this registration booklet and original sales invoice to your selling dealer for warranty service.

**This manual should be kept for future reference.**

**Please check if you have received all the parts for your kit with the list of the bag and the list of the box.**

**SERIAL NUMBER :** \_\_\_\_\_  
(IF APPLICABLE)

**MODEL NUMBER:** \_\_\_\_\_

**PURCHASE DATE :** \_\_\_\_\_





## SAFETY PRECAUTIONS



Careful operation is your best insurance against an accident. Read this section carefully before operating or maintaining the vehicle and accessory. This accessory is capable of amputating hands and feet and throwing objects. Failure to observe the following safety instructions could result in serious injury. All operators, no matter how experienced they may be, should read this and other manuals related to the vehicle and accessory before operating. It is the owner's legal obligation to instruct all operators in safe operation of the accessory to prevent accidents or injuries.

### **GLOSSARY:**

In this manual, right and left sides are determined by sitting on the seat of the vehicle facing forward.

In this manual, "accessories" means attachments (snowblower, rotary broom, blade, etc.) that you install on the vehicle (lawn tractors, A.T.V. s etc).

### **TRAINING:**



This symbol, "Safety Alert Symbol", is used throughout this manual and on the accessory's safety labels to warn of the possibility of serious injury. Please take special care in reading and understanding the safety precautions before operating the vehicle and accessory.

1. Read this owner's manual carefully. Be thoroughly familiar with the controls and proper use of the vehicle and accessory. Know how to stop the unit and disengage the controls quickly.
2. Never allow children to operate the vehicle nor the accessory. Never allow adults to operate or maintain the vehicle nor the accessory without proper instructions. Local regulations restrict the age of the operator. Children are often attracted to accessories. Never assume children will stay in place where you have last seen them. Keep children under surveillance of a responsible adult at all times.
3. No one should operate the vehicle nor the accessory while intoxicated or while taking medication that impairs the senses or reactions. The operator should, if taking over the counter drugs, seek medical advice on whether he/she can safely operate the equipment.
4. Keep the area of operation clear of all people, particularly small children and pets.
5. Never start or operate the accessories except from the operator's station on the power unit except if this is impossible.

### **PREPARATION:**

1. Thoroughly inspect the area where the accessory is to be used and remove door mats, all foreign objects and the like which could be picked up and projected by accessory.
2. For motorized accessories, disengage all clutches and shift into neutral before starting engine.
3. Prepare for emergencies. Be prepared if a fire starts. Keep first aid kit and fire extinguisher handy. Keep emergency phone numbers (doctor, ambulance, ect) near a phone

4. Do not operate or maintain the accessory without wearing adequate clothing and safety equipment. Long hair, loose clothing or jewelry can get caught in moving parts. Wear footwear that will improve footing on slippery surfaces.
5. Handle fuel with care, it is highly flammable and vapors are explosive.
  - a) Extinguish all cigarettes, cigars, pipes and other sources of ignition.
  - b) Use approved fuel container.
  - c) Never add fuel to a running engine or hot engine.
  - d) Fill fuel tank outdoors with extreme care. Never fill fuel tank indoors.
  - e) Never fill containers inside a vehicle, or on a truck or a trailer bed with a plastic liner. Always place containers on the ground, away from your vehicle, before filling.
  - f) When practical, remove gas-powered equipment from the truck or trailer and refuel it on the ground. If this is not possible, then refuel such equipment on a trailer with a portable container, rather than directly from a gasoline dispenser nozzle.
  - g) Keep the nozzle in contact with the rim of the fuel tank or container opening at all times, until refueling is complete. Do not use a nozzle lock-open device.
  - h) Never overfill fuel tank. Replace fuel cap securely and wipe up spilled fuel.
  - i) If fuel is spilled on clothing, change clothing immediately.
6. Never attempt to make any adjustments while the engine (motor) is running (except when specifically recommended by manufacturer).
7. Let the vehicle and accessory adjust to outdoor temperatures before using.
8. Never use an accessory without proper guards, plates, or other safety protective devices in place
9. Always make sure to wear the appropriate safety equipment required (glasses, muffs, mask...) for each type of product. See operation section.
10. Always make sure of having safe traction on the vehicle by using the recommended accessories (chains, A.T.V. tracks, counterweights...). See operation section.
11. Always make sure all components are correctly installed. (driveline securely attached and locked at both ends, belts properly installed...)
12. If applicable, always handle the winch cable with thick leather gloves.
13. **Never modify the accessory or any part without the written consent from the manufacturer.**



# SAFETY PRECAUTIONS



## OPERATION:

1. Do not put hands or feet near, under or inside rotating parts.
2. Exercise extreme caution when operating on or crossing gravel drives, walks or roads. Stay alert for hidden hazards such as traffic, fences, trees, buildings, wires, etc.
3. After striking a foreign object, stop the engine (motor), disconnect the wire from the spark plug(s) and keep wire away to prevent accidental starting. Thoroughly inspect the accessory for any damage and repair damage before restarting and using the accessory.
4. If the unit should start to vibrate abnormally, stop the engine (motor) and check immediately for the cause. Vibration is generally a warning of trouble. Do not use equipment until properly repaired.
5. Take all possible precautions when leaving the vehicle unattended. Disengage the power take-off, lower the attachment, place the transmission into neutral, set the parking brake, stop the engine and remove the ignition key.
6. Do not run the engine indoors, except when starting the engine and for transporting in or out of the building. Do not operate or let motor run in a storage area without ventilation because gas contains carbon monoxide which is odorless, colorless and can cause death.
7. Never use the accessories across the face of slopes, go from top to bottom. Exercise extreme caution when using equipment on slopes, on wet ground or near drop-off. Do not attempt to use accessory on a steep slope.
8. Never tolerate bystanders in the working zone. Never use an accessory in the direction of bystanders, it might throw gravel or debris that can hurt people or damage property.
9. Never operate the accessory at high transport speeds on slippery surfaces. Use care when backing up.
10. Do not carry passengers.
11. Disengage power to the accessory when it is transported or not in use.
12. Never operate the accessory without good visibility or light.
13. Keep the accessory away from heat sources or flames.
14. If applicable, never handle the winch cable or hook while under tension.
15. Never use accessory if it has been dropped or damaged. Repair if necessary before re-using.

## MAINTENANCE AND STORAGE

1. When cleaning, repairing or inspecting the vehicle and accessory: park on a solid level ground (in a clean dry area), disengage drives, lower implement, set parking brake, stop the engine, remove ignition key, and wait that all moving parts have stopped and cooled. For gasoline engine, disconnect wire from the spark plug(s) and keep wire away to prevent accidental starting.
2. Use jack and support blocks to support equipment when required. Carefully release pressure from equipment with stored energy.
3. Check all the bolts and components at frequent intervals to make sure that they are properly tightened and in safe working condition.
4. Never store a motorized accessory with fuel in the fuel tank inside a building where ignition sources are present such as hot water and space heaters, clothes dryers, and the like. Allow the engine to cool before storing in any enclosure.
5. Always refer to the owner's manual when you store the accessory and vehicle for a prolonged or an unspecified length of time.
6. Maintain or replace safety and instruction labels, as necessary.
7. For winter accessories, (if applicable), let the engine run for a few minutes after clearing snow in order to prevent the rotary parts from freezing.
8. Inspect the vehicle's and accessory's air filter (if applicable) every day. Clean it or replace it as necessary. Change the oil more often when working in dusty conditions. See the vehicle's and accessory's owner's manual.
9. When inflating tires, stand on one side NOT in front or over the tire assembly. Use a safety cage if available.
10. Remove buildup of grease, oil, or debris. Remove all tools and unused parts from equipment before operation.

## TRANSPORT




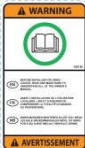

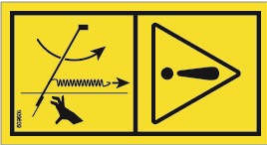
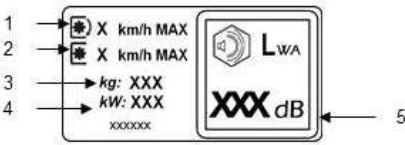
1. Review Transport Safety instructions in vehicle manual before moving or hauling.
2. Check with local authorities regarding transport on public roads and off road. Obey all applicable laws and regulations.
3. Make sure all lights and reflectors that are required by the local highway and transport authorities (example : SMV (Slow Moving Vehicle)) are in place, are clean, and can be seen clearly by all overtaking and oncoming traffic.
4. Never have the equipment in operation during transport.
5. Always travel at a safe speed.



# SAFETY DECALS



REPLACE IF DECALS ARE DAMAGED  
SEE PARTS BREAKDOWN FOR DECAL LOCATION

Symbol	Description
Decal #105126 	To avoid serious injury: Keep hands, feet & clothing away from rotating auger while engine is running.
Decal #105127 	To avoid serious injury: Keep hands out of this discharge chute while engine is running.
Decal #105128 	To avoid serious injury: Keep hands, feet & clothing away. Do not attempt to install or remove drive belt without reading owner's manual.
Decal #105130 	Before installing or using: Locate, read and make sure to understand all of the owner's manual.
Decal #105131 	Refer to owner's manual about wearing safety glasses, ear muffs and mask. Refer to owner's manual for use of counter weights, cat tracks and tire chains.
Decal #109609 	Warning! Lever under tension of a spring.
	1-Do not drive faster than 3 KM/H when the snowblower is in operation. 2-Do not drive faster than 10 KM/H when the snowblower is in the raised position. 3-The head of the snowblower weighs 96 kg. (without engine). 4-The engine wattage. (See specification of the engine installed). 5-The sound pressure level (See specification of the engine installed).

# ASSEMBLY

## CONVERSION TABLE

1" (po, in)	25.4 mm
1' (pi, ft)	0.3 m
1 psi (lb/in <sup>2</sup> )	6.89 kPa
1 lb	0.45 kg
1 lbf	4.4 N
1 m/h (mi/h)	1.61 km
1 hp (cv)	0.75 kW

## GLOSSARY

Quad = V.T.T., A.T.V.	
Véhicule tout terrain	V.T.T.
All terrain vehicle	A.T.V.
Utility Vehicle	U.V
Véhicule Utilitaire	V.U.
P.T.O. = P.D.F	
Power take-off	(P.T.O)
Prise de force	(P.D.F)

**IMPORTANT: UNLESS OTHERWISE SPECIFIED, TORQUE ALL BOLTS ACCORDING TO TORQUE SPECIFICATION TABLE (SEE TABLE OF CONTENTS) WHEN STATED: TIGHTEN FIRMLY. REFER TO PARTS BREAKDOWN SECTION FOR PART IDENTIFICATION.**  
**IMPORTANT: THE VEHICLE MUST BE EQUIPPED WITH A 2" TOW HITCH BALL IN ORDER TO INSTALL THE VANTAGE SNOWBLOWER.**

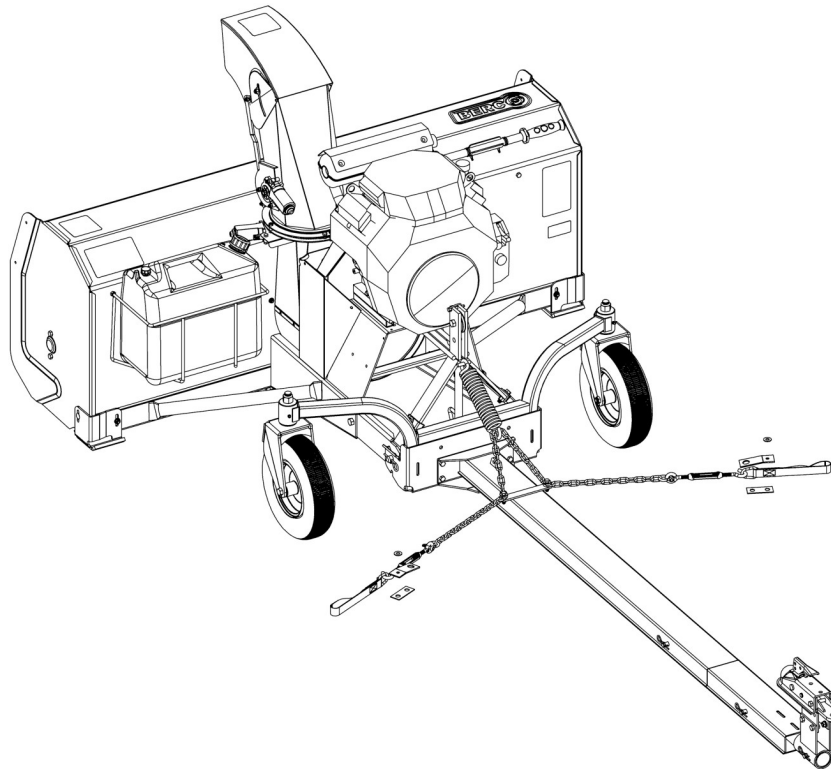


Figure 1 - Overall view of the Vantage snowblower

### **TOOLS REQUIRED**

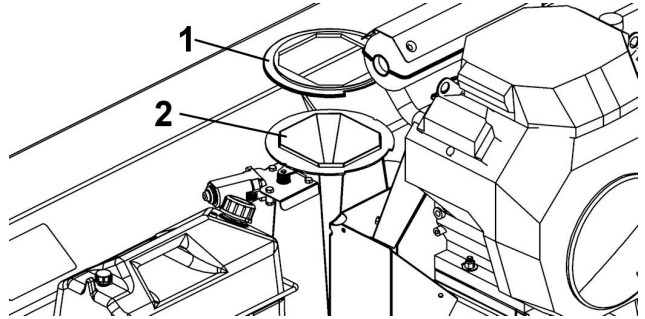
- 1 Ratchet
- 3 Wrenches 7/16", 1/2", 9/16"
- 3 Sockets 7/16", 1/2", 9/16"
- 1 Hexagonal wrench 5/32"
- 1 Wrench (for the nuts on the vehicle's battery post)

# ASSEMBLY

## **SNOWBLOWER PREPARATION:**

Refer to parts breakdown section for parts identification.

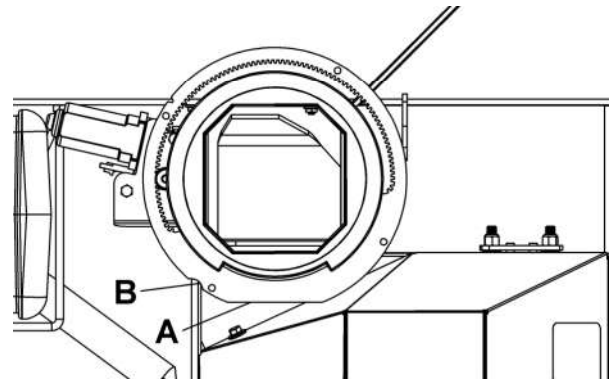
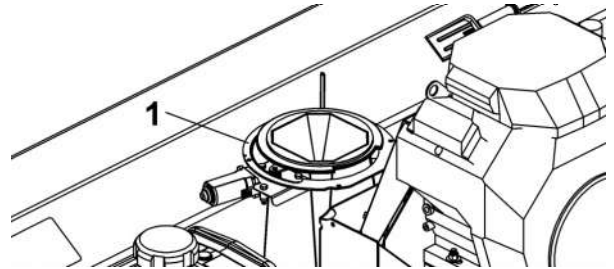
Install the nylon rotation ring (item 1) over the opening (item 2) as shown and align the notches.



Install the nylon rotation ring

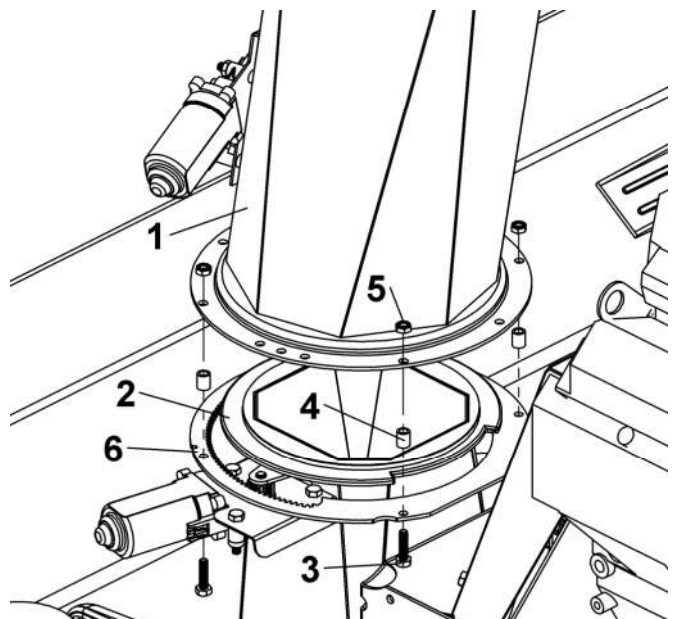
Install the rotation ring (item 1) over the opening as shown.

**NOTE:** Place grooves of the rotation ring onto the grooves of the rotation motor and place notch (A and B) as shown.



Install the rotation ring

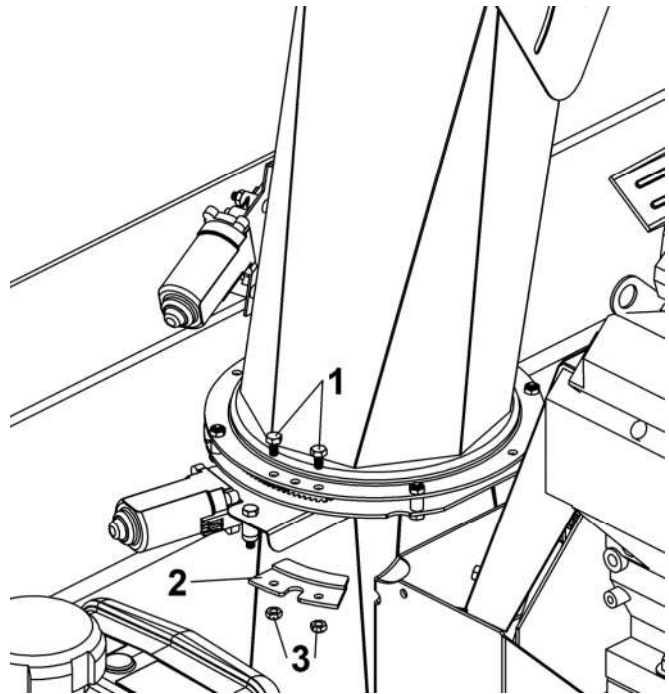
Install the chute (item 1) over the nylon rotation ring (item 2). Turn the chute to make sure it turns freely. Place the chute to the right as shown. Insert the hex bolts  $1/4'' \times 1''$  (item 3) under the rotation ring (item 6) in each hole as shown. Insert the spacers (item 4) on the hex bolts between the rotation ring and the chute. Secure in place with the  $1/4''$  nylon insert lock nuts (item 5).



Install the chute

# ASSEMBLY

Insert the 1/4" x 1/2" hex bolts (item 1) in the holes as shown.  
Install the retaining plate (item 2) under the chute as shown.  
Secure in place with the 1/4" nylon insert lock nuts (item 3) as shown.



Install the retaining plate

## VEHICLE PREPARATION:

Choose one of the three following options as a means of fastening the subframe.

### **OPTION A:**

Install the lift strap (**item 1**) by making a loop around the front suspension arm of the vehicle. **IMPORTANT:** Don't install the strap on a cutting edge. Tighten the loop firmly.

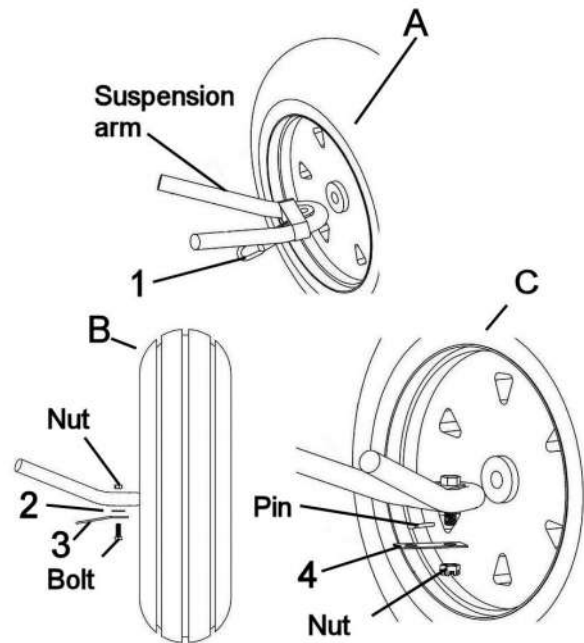
### **OPTION B:**

Remove the nut and bolt from the vehicle's front suspension arm. Secure the bracket (**item 3**) with a bolt, flat washer and nut (**item 2**). Do not tighten the nut too firmly.

### **OPTION C:**

Remove the nut and bolt from the vehicle's front suspension arm. Secure the bracket (**item 4**) with a bolt, flat washer and nut (**item 2**). Do not tighten the nut too firmly.

**NOTE:** Repeat the operation on the other side of vehicle.



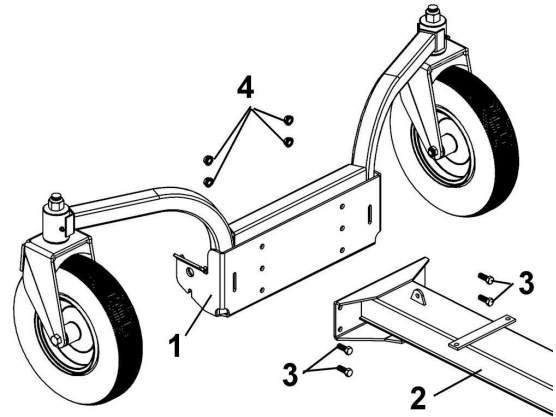
Install the lift strap or the brackets.

# ASSEMBLY

## PREPARING THE SUBFRAME

Assemble the wheel support (item 1) on the subframe (item 2) with four hex bolts  $3/8" \times 1"$  (item 3) and four flange nuts  $3/8"$  (item 4).

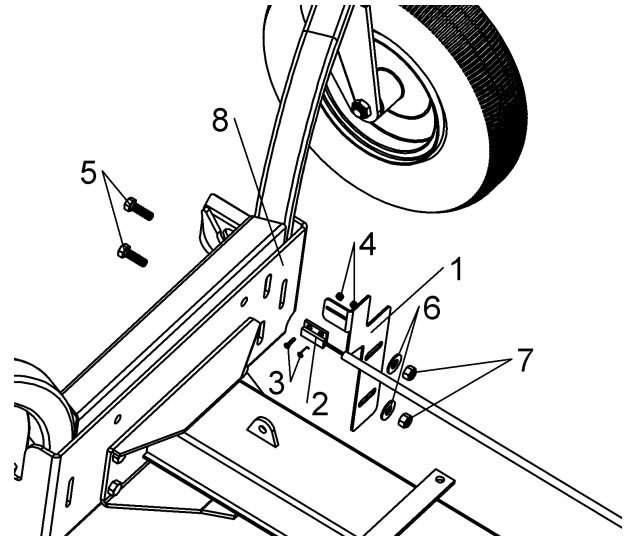
**NOTE:** The set of holes used to assemble the wheel support to the subframe depends on the height of the vehicle. Once installed the subframe must be parallel with the ground.



Install the wheel support to the subframe

Install the limit switch (item 2) on the switch support (item 1) with two screws (item 3) and two nuts (item 4).

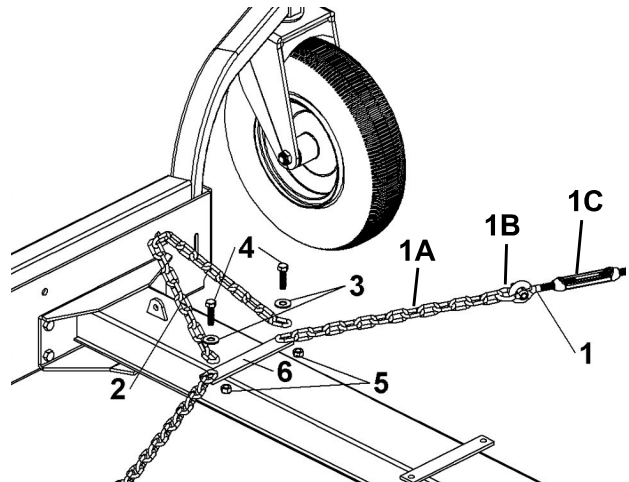
Then install the switch support (item 1) on the wheel support (item 8). Secure with two bolts (item 5), two washers (item 6) and two nuts (item 7).



Install the assembled turnbuckles (item 1) (assemble the chain (item 1A), the shackle (item 1B) and the turnbuckle (item 1C) together) and chain (item 2) on the bracket (item 6) that is welded on the subframe (as shown).

Secure the chains with two hex bolts  $5/16" \times 1"$  (item 3), two flat washers  $3/8"$  (item 4) and two nylon insert lock nuts  $5/16"$  (item 5).

Slightly tighten the nuts to allow the parts to move freely.

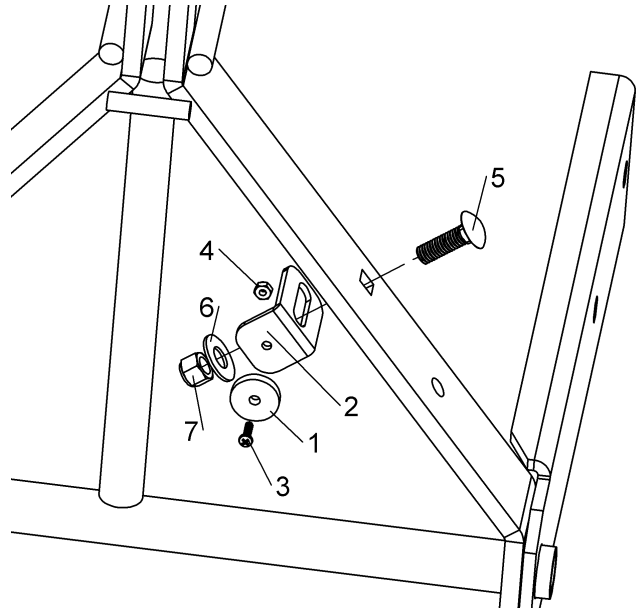


Install the assembled turnbuckles

## ASSEMBLY

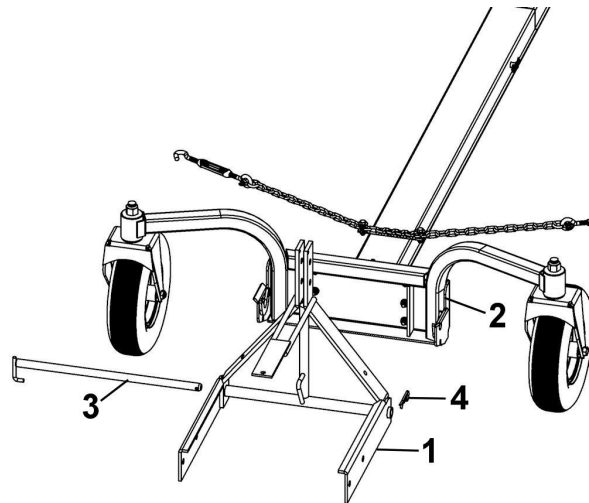
Install the magnet (item 1) on the magnet support (item 2) with a machine screw #6-32 x 9/16 (item 3) and a nylon insert lock nut #6-32 (item 4).

Install the magnet support (item 2) on the snowblower with a carriage bolt 3/8 x 1-1/4 (item 5), a washer 7/16 (item 6) and a nylon insert locknut 3/8 (item 7). Position the assembly approximately like in the drawing, the final position will be determined later in the installation.



Install the snowblower (item 1) to the wheel support (item 2). Slide the pin (item 3) through the assembly to hold everything together. Hold the pin in place with the hair pin 4mm (item 4) as shown.

**NOTE:** Make sure the pin is in the locked position.



Install snowblower



# ASSEMBLY

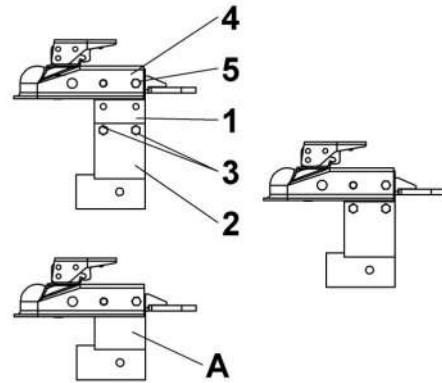
Among the three following configurations, choose the height of the hitch support. There must be a maximum of ground clearance.

(Configuration A) does not have the hitch support plates (item 1).

If applicable, assemble the hitch support plates on the hitch support (item 2) with four hex bolts  $3/8"$  x  $3/4"$  (item 3) and four nylon insert lock nuts  $3/8"$ .

Secure the hitch (item 4) on the two hitch support plates or on the hitch support with a hex bolt  $3/8"$  x  $3"$  (item 5) and one nylon insert lock nut  $3/8"$ .

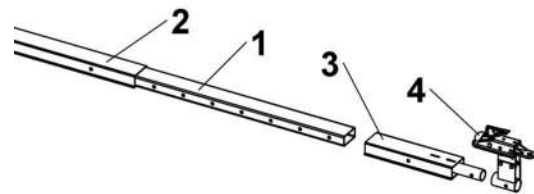
Tighten firmly



Adj

There are seven different positions on the adjustment tube (item 1) (the adjustment tube can be inverted) to adjust the length of the subframe.

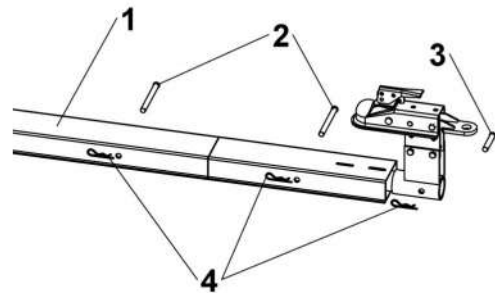
To choose the right adjustment, insert the adjustment tube into the subframe (item 2) and insert the rear bracket (item 3) on the adjustment tube. Slide the hitch support (item 4) on the rear bracket. Do not secure.



Assembling the subframe

Drive the vehicle over the subframe, make sure the caster wheels do not touch the front wheels of the vehicle.

Identify the right length of the subframe (item 1) and secure in place with two long pins (item 2), a short pin (item 3) and three hair pins 3mm (item 4).



Securing the subframe

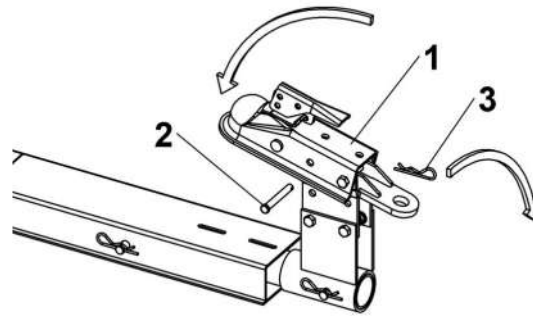
# ASSEMBLY

## INSTALLING ON THE VEHICLE

Place the hitch (item 1) on the tow hitch ball and secure in place with a pin (item 2) and a hair pin (item 3).

**IMPORTANT:** Make sure the vehicle never comes into contact with the subframe even when the vehicle's suspensions are compressed to the maximum.

**NOTE:** It is possible to turn the hitch support to facilitate driving the vehicle over the subframe.



Installing the subframe on the tow hitch ball



## WARNING



### TO PREVENT INJURIES:

Always check that ball is completely inserted into hitch coupler socket and that under jaw is securely closed around the bottom of ball.

Always check that hitch coupler handle is properly locked before its use.

Always examine hitch coupler and ball for damage before using, replace if damaged.

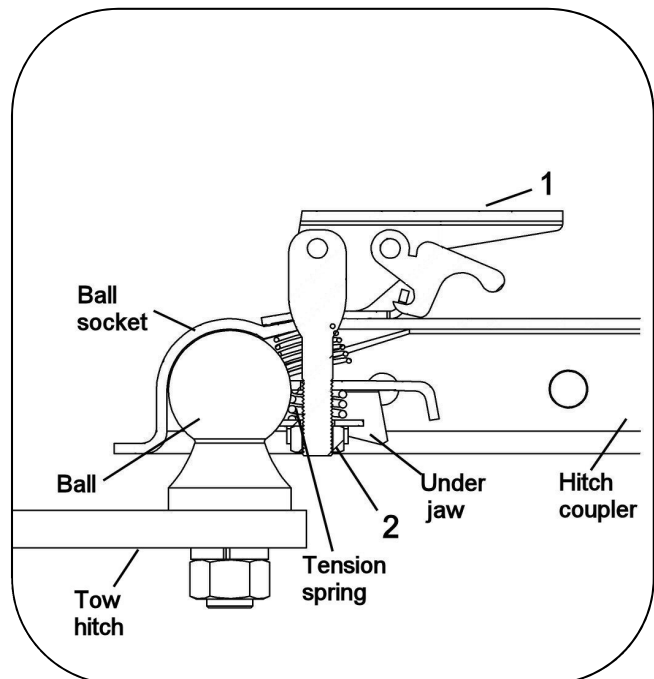
**NOTE:** Correct adjustment will allow the handle to be released with moderate pressure applied to the handle.

To open, pull up on hitch coupler handle and rotate forward.

Place hitch coupler on ball.

When ball is completely nested in ball socket, rotate hitch coupler handle backward until handle is in locked position.

Always check tightness before using the tow hitch. Be sure hitch coupler handle is in locked position.



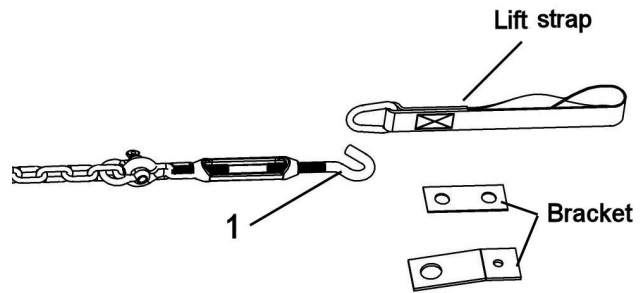
Adjusting the hitch coupler

Lock the handle (item 1) into position over the ball in the hitch coupler. Tighten the lock nut (item 2) against the spring so that the hitch coupler is not loose on the ball.

# ASSEMBLY

Hook the turnbuckles (item 1) in the brackets or the lift straps. Tighten the turnbuckles firmly.

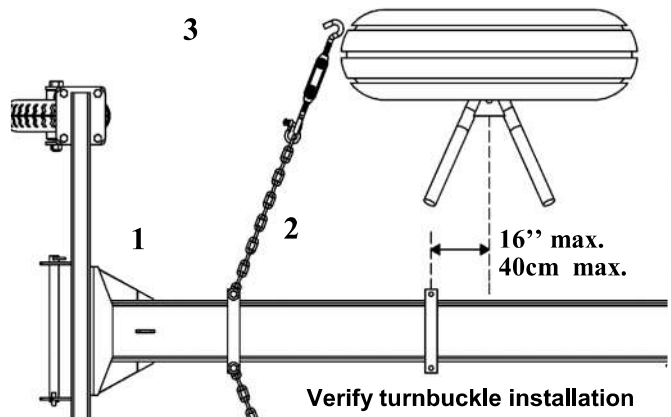
**IMPORTANT:** After adjusting the turnbuckles, tighten firmly the nuts that secure the brackets on the vehicle's suspension arms. Make sure to lock the nuts with the original locks. Furthermore, tighten firmly the turnbuckle assembly nuts that secure them to the subframe.



Install the turnbuckles

**NOTE:** In the event where the vehicle is equipped with a prominent front bumper or tracks, the assembled turnbuckles (item 3) will become too angled. Relocate the assembled turnbuckles from plate 1 towards plate 2.

**IMPORTANT:** To avoid any damages to the subframe or vehicle, plate #2 must be placed in front of the wheels' center if the assembled turnbuckles are relocated.



Verify turnbuckle installation

**For vehicles with a winch that is higher than 20" (510mm) from the ground, follow these instructions:**

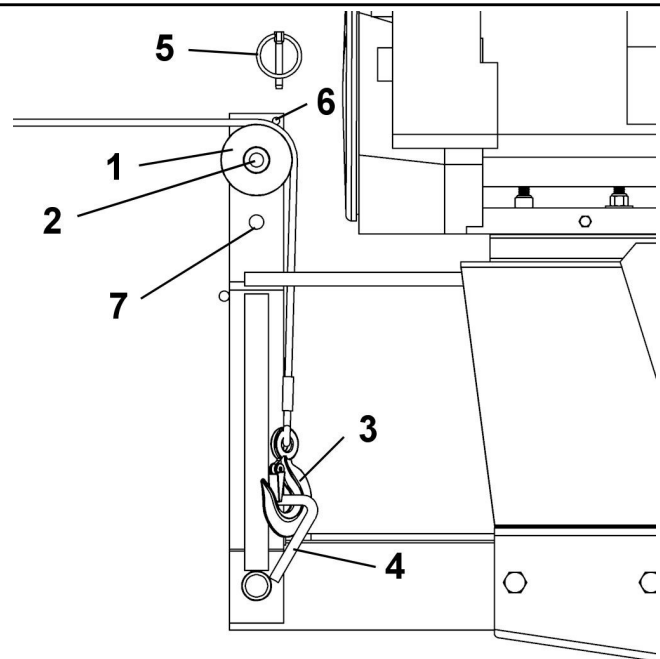
Install pulley (item 1) in the top hole of the lever with a 1/2" x 1 3/4" hex bolt (item 2) and secure in place with the nylon insert lock nut. Tighten firmly. Insert the winch hook (item 3) in the rod (item 4). Secure the winch cable by inserting the lynch pin (item 5) in the small hole (item 6).

**For vehicles with a winch that is lower than 20" (510mm) from the ground, follow these instructions:**

Install pulley (item 1) in the bottom hole (item 7) of the lever with a 1/2" x 1 3/4" hex bolt (item 2) and secure in place with the nylon insert lock nut. Tighten firmly. Insert the winch hook (item 3) in the rod (item 4). Secure the winch cable by inserting the lynch pin (item 5) in the small hole (item 6).

**TIP:** Thread the winch hook in front of the hitch as shown and then thread the cable over the pulley. Do not lift the snowblower right now.

**IMPORTANT:** Make sure that the winch cable does not pull downwards.



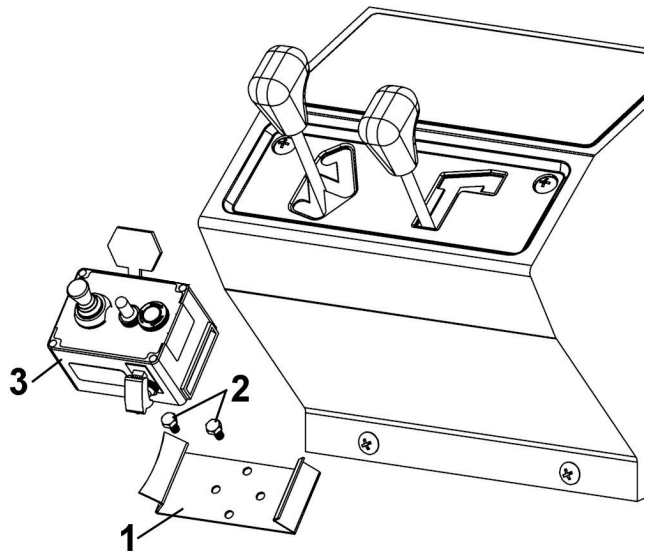
Install the winch hook

# ASSEMBLY

## CONTROL BOX INSTALLATION:

Disconnect the wires that are connected to the control box (item 3).  
Install the box support (item 1) in an appropriate place . Drill holes if necessary. Secure the box support with the two 1/4" x 1/2" hex bolts and flange nuts.  
Tighten firmly.  
Install the control box on the box support.  
Thread the wires that unites the accessory under the hood to the front of the vehicle.

**NOTE:** A surplus of wiring is available, if needed, under the engine.

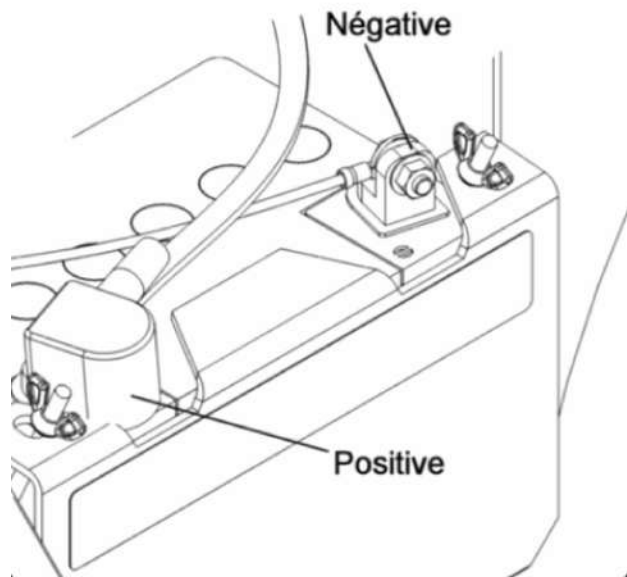


Install the control box

Connect wire assembly (104017) to the positive post on the vehicle's battery. Connect the black wire on the vehicle's frame.

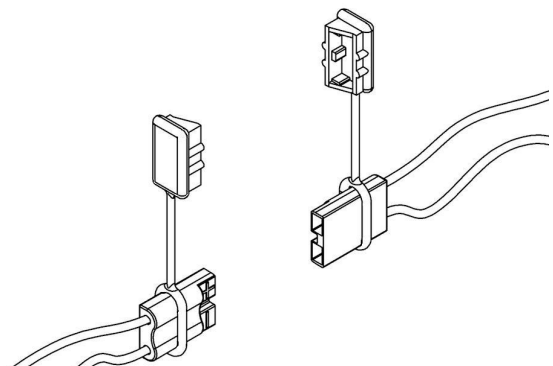
**IMPORTANT:** The control box is equipped with a red emergency kill switch in case you need to stop the engine quickly.

**NOTE:** The emergency kill switch must be pulled out to start the accessory's engine.



Connect the wire on the battery

Connect the snowblower 's wiring.



Wire assembly

## ASSEMBLY

Connect the wire connector on the motor of the chute deflector (item 1)

Make sure the connectors are well connected together and tie the wire that is connected to the motor of the deflector with a nylon tie wrap (item 2) as shown. Cut off any excess of the tie wrap.



Secure the wires as shown

### CONNECTING THE LIMIT SWITCH FOR THE WINCH TO THE RELAY FOR THE WINCH

**NOTE:** Before installing the limit switch, identify which wire (the one used to lift the accessory, item 1) on the relay that comes from the control switch for the winch with a hi / low voltage tester.

Disconnect the relay from the winch control by separating the connectors (items 1 & 2.)

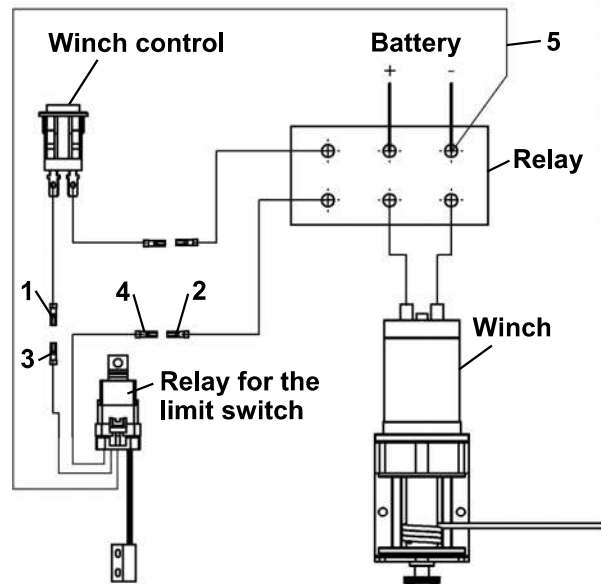
Make sure the green wire of the relay for the limit switch (item 3) is connected to the winch control wire (item 1) and the red wire of the relay for the limit switch (item 4) is connected to the winch relay wire (item 2). If wrong wire color are used, the relay will not work properly.

Connect the negative wire (black wire) of the relay for the limit switch to the negative post of the relay for the winch (not show on the picture) .

**NOTE:** The connectors on the limit switch extension are a flat type.

Another limit switch extension (#106079) with ball type connectors is also supplied with the accessories in order to make the limit switch compatible with most of the vehicles on the market.

If the connectors on the vehicle are different than the ones proposed, it is possible to modify the limit switch extension.



Connect the limit switch

# ASSEMBLY

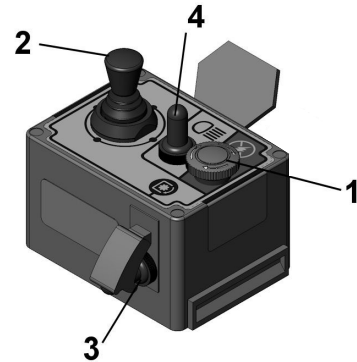
**IMPORTANT:** Take time to familiarize yourself with the location of the switches and with their functions.

**DANGER:** Always make sure that all the guards are installed before starting the snowblower engine.

**DANGER:** It is the responsibility of the person who installs the accessory to make sure the engaging system works well and that the snowblower disengages effectively at all times. It is imperative to make the necessary adjustments if applicable.

Identification of the switches:

1. Emergency kill switch. (**Pull out to start**).
2. Joystick to move the chute and the deflector.
3. Switch to activate the electric clutch.
4. Switch for optional light kit.



Identify the controls.

**DANGER:** For the next manipulations, make sure to clear the area in front of the snowblower and the outflow of the chute of all people or objects.

1. Manipulate the four position switch (item 2) and make sure the chute deflector and rotation works well.
2. Activate the electromagnetic clutch switch (item 3). Make sure the clutch engages and disengages.
3. Engage the electromagnetic clutch. Try to start the snowblower engine. Make sure the engine does not start.
4. Disengage the electromagnetic clutch. Try to start the snowblower engine. Make sure the engine starts.
5. While the engine is running, activate the kill switch (item 1). Make sure the engine stops. Deactivate the kill switch by turning it clockwise.
6. If the snowblower is equipped with a light, activate the light switch (item 4) make sure it activates the light.

## ASSEMBLY

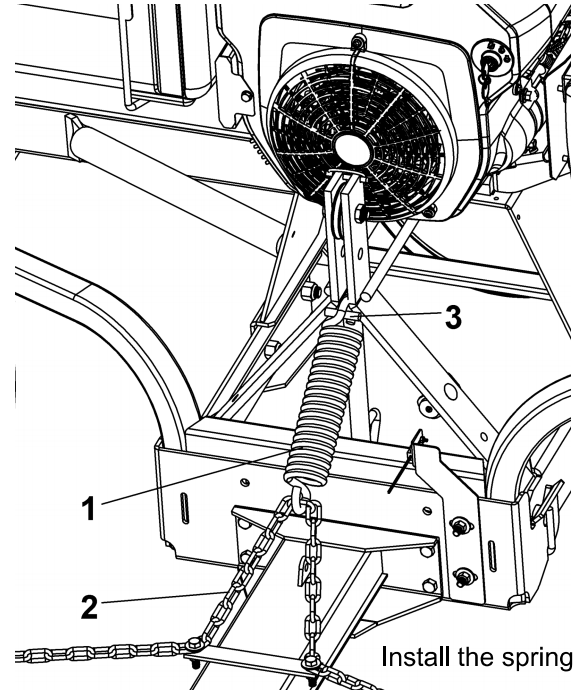
### INSTALLING THE SPRING AND ADJUSTING THE LIFTING HEIGHT OF THE SNOWBLOWER.

#### **IMPORTANT:**

It is very important that the snowblower engine does not come into contact with the vehicle.

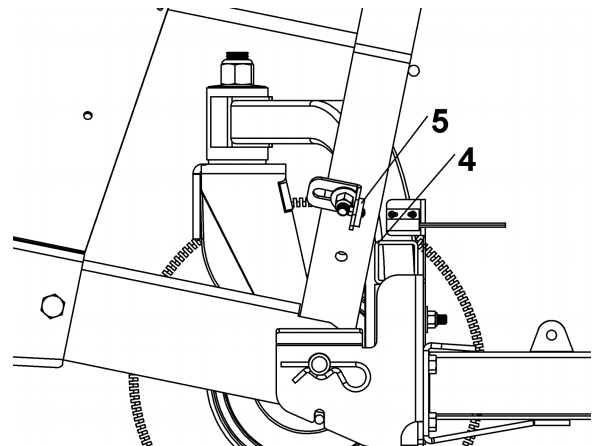
If this is the case, adjust the length of the subframe, Lengthen the subframe so the snowblower is farther away from the front a the vehicle.

Lift the snowblower to its maximum height, insert the spring (item 1) in the chain (item 2) and on the welded rod (item 3) as shown.



### ADJUSTING THE POSITION OF THE MAGNET

The snowblower must never come into contact with the subframe (item 4). If this is the case, adjust the position of the magnet (item 5). If the snowblower does not lift high enough, change the position of the magnet.



### **WARNING**



To avoid injuries

Operate the winch control from the driver's seat only. This is to avoid putting any body parts between the snowblower's frame and the wheel support.

### VERIFYING THE ASSEMBLY

#### PRESSURE OF THE TIRES ON THE SUBFRAME

Verify and adjust the pressure of the tires of the subframe at 50 psi.

The tire pressure must be even on both sides.

#### THE LENGTH OF THE SUBFRAME

When the vehicle is advancing in a straight line, make sure the wheels of the subframe do not come into contact with the wheels of the vehicle.

When the snowblower is raised to its maximum, make sure the snowblower engine does not come into contact with the vehicle.

# OPERATION



## WARNING



Read the vehicle's owner's manual carefully. Be thoroughly familiar with the controls & proper use of the attachment. Know how to stop the unit & disengage the controls quickly.



## WARNING



### TO PREVENT INJURIES:

Start the engine, engage and disengage the clutch to be sure it functions normally. Make sure the emergency switch is working perfectly. Make sure all the controls are working well.

### SNOWBLOWER OPERATION

1. Make sure the snowblower is clear of snow;
2. Make sure the auger and impeller operate freely.
3. Make sure the electromagnetic clutch is deactivated and the kill switch is disengaged.
4. Start the snowblower engine
5. Before activating the electromagnetic clutch, the snowblower engine must run at maximum R.P.M.
6. Operate the snowblower safely.

**IMPORTANT:** Use full engine r.p.m. when removing wet, sticky snow. low r.p.m. power will tend to plug the chute.

### ELECTRICAL CONTROLS

See the "Installation of the control box" section for the identification of the electrical controls of the snowblower.

### LIFTING AND LOWERING THE SNOWBLOWER

Use the winch control switch to raise and lower the snowblower.

**IMPORTANT:** Before each use, check to make sure the snowblower frame does not come into contact with the wheel support when it is raised. If needed adjust the magnet location

### ENGINE OPERATION

Operate the engine according to the instructions in the engine's owner's manual.



## WARNING



Never touch with your hands or feet the snowblower's fan, auger or the chute because this is the most frequent cause of accidents associated with snowblowers.



## DANGER



Never let the snowblower motor run without all guards in place.



## WARNING



To prevent accidents :

- Always use the snowblower in well lighted areas.
- It is essential to install and use a light on the front of the snowblower for night use or in shadowy conditions.



## WARNING



To prevent injuries and for more traction when using the snowblower:

- Do not drive faster than 3 km/hr (2 m/hr) with snowblower on the ground.
- Do not drive faster than 10 km/hr (6 m/hr) with the snowblower in raised position.
- Always disengage the electromagnetic clutch when the snowblower is in the raised position.
- Do not operate on a slope greater than 10%.
- Vehicle manufacturer approved tire chains are required.
- Maximum drawbar pull provided for at the hitch ball coupling: 3560N (800 lbs)
- Maximum vertical load provided for on the hitch ball coupling: 360N (80 lbs).
- Ear muffs and safety glasses are recommended.

### BURNISHING PROCEDURE

The burnishing procedure must be performed before the first utilisation of the snowblower and after a prolonged period of inactivity. Burnishing the engaging system will ensure proper performance and will help avoid damages.

1. Make sure the fan and the augers are free of any obstruction. Start the motor.
2. Engage electric clutch.
3. Disengage electric clutch and wait for all moving parts to stop.
4. Repeat procedure (steps 2 & 3) 10 times.



# OPERATION



## SNOWBLOWING TECHNIQUE

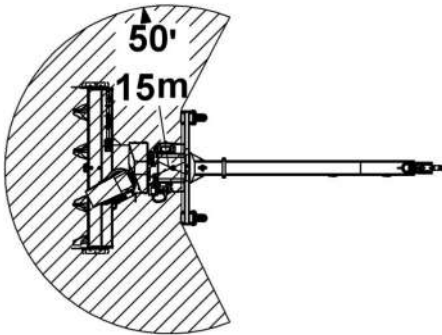
When removing snow, do not use the snowblower as a dozer blade to push snow. Allow snowblower to ingest snow at its own speed. If the speed of your vehicle is too fast, the snowblower may become overloaded and plugged.

## SKID SHOE ADJUSTMENT

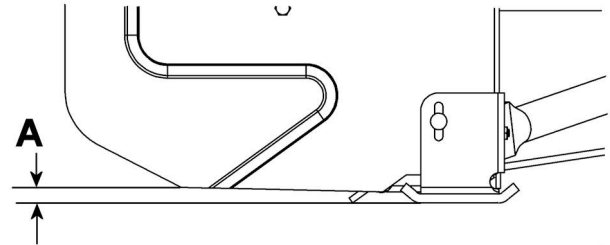
Level paved surface: Adjust skid shoes to allow 3/16" to 1/4" or 5 mm to 7 mm clearance (A) between cutting edge and surface.

Uneven or gravel surface: Adjust skid shoes to allow 1/2" to 5/8" or 13 mm to 16 mm clearance (A) between cutting edge and surface.

	<b>DANGER</b>	
<b><u>DANGER ZONE</u></b>		
<p>It is the snowblower operator's obligation to make sure there are no people or objects that can be thrown in this zone when the snowblower is running.</p>		



Danger zone



Skid shoe adjustment

## MAINTENANCE



### WARNING



Before doing any snowblower maintenance, assembling or dismounting:  
Apply parking brakes of the vehicle.  
Stop the snowblower engine and remove the ignition key  
Disconnect the wire from the spark plug(s) and keep away from spark plug(s) to prevent accidental starting.



### WARNING



If the snowblower is in the raised position, always make sure to provide adequate blocking before working under the snowblower.



### WARNING



- Do not attempt to clear plugged chute, auger or fan of snow while the snowblower's engine is running.
- Disengage snowblower.
- Lower snowblower onto ground.
- Set the parking brake.
- Stop engine, remove the ignition key, disconnect the wire from spark plug(s) and keep away from spark plug(s) to prevent accidental starting.
- Make sure all moving parts have stopped.
- Do not use hand to unplug chute, use the chute shovel supplied with the snowblower.

### ENGINE MAINTENANCE

Maintain the engine according to the instruction in the engine's owner's manual.

### SNOWBLOWER MAINTENANCE

Check mounting bolts at frequent intervals for proper tightness in order to prevent costly repairs. Make sure your snowblower is in safe working condition.

### PRESSURE OF THE TIRES ON THE SUBFRAME

Verify and adjust the pressure of the tires of the subframe at 50 psi.  
The tire pressure must be even on both sides.

### SNOWBLOWER PULLEY REPLACEMENT OR ALIGNMENT

Clean the parts before aligning or replacing the pulleys. Apply some "Loctite" 2760 on the key and the set screws. Tighten firmly.

### CUTTING EDGE MAINTENANCE

Verify from time to time the wearing on the cutting edge to make sure you do not wear out the base of the snowblower's chassis. This cutting edge is reversible. Unscrew the bolts and turn the cutting edge,  
Reinstall with new carriage bolts 5/16" x 3/4" grade 5 and new lock nuts 5/16".

### CLEANING A CLOGGED DISCHARGE CHUTE

Whether it is the snowblower auger, the fan or the chute that clogged, it is essential to follow these instructions to the letter.

1. Disengage the electromagnetic clutch
2. Lower the snowblower to the ground and apply the vehicle's hand brake;
3. Stop the snowblower engine, remove the key and wait for all the rotating parts to stop turning.
4. Disconnect the wire from the spark plug(s) and keep away from spark plug(s) to prevent accidental starting;

**WARNING:** Always use the chute shovel supplied with the snowblower in order to unclog the snowblower, **never use your feet or hands.**

# MAINTENANCE

## LUBRICATION

**SUBFRAME WHEELS:** Grease the wheel axles, the fork pivots after every sixteen hours of use. Apply oil at all pivot points.

**CHUTE ROTATION SYSTEM:** Oil the base of the chute every sixteen hours of operation.

### **GEAR BOX :**

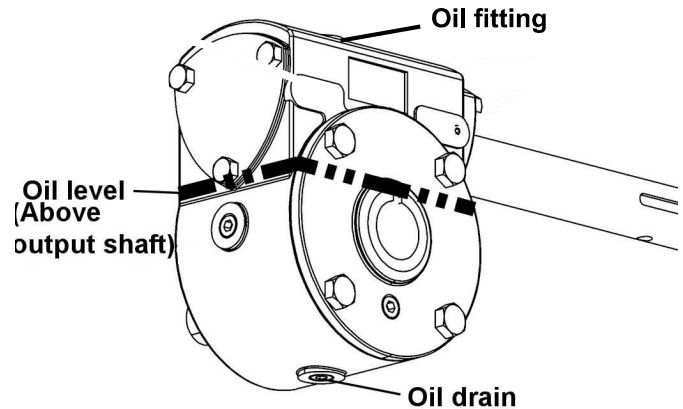
Change oil after the 1st 100 hours of use. Afterwards, every 2500 hours or 6 months.

Oil type used: SAE (80W90)

The gear box should have a total of 500ml of oil or filled just above the output shaft (see figure)

### **GREASABLE BEARINGS :**

Grease every 16 hours of use.



Oil level in the gear box

## AUGER AND FAN SHEAR BOLT REPLACEMENT

**IMPORTANT:** The shear bolts are to be considered a preventive measure and not an assured protection. Operator vigilance is required. Thoroughly inspect the areas where the snowblower is to be used and remove all foreign objects.

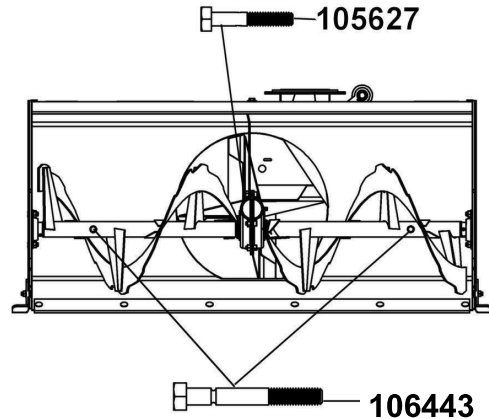
### **TO AVOID DAMAGE TO THE SNOWBLOWER:**

Use only the original shear bolts

(#105627 for the fan et #106443 for the auger).

The use of any other shear bolt will not insure any protection and may void the warranty.

**IMPORTANT:** When replacing the auger shear bolts it is very important to replace the augers in the same position as shown in figure to avoid damage to the snowblower and to ensure maximum efficiency.



Shear bolt

Belt replacement

## MAINTENANCE



### CAUTION

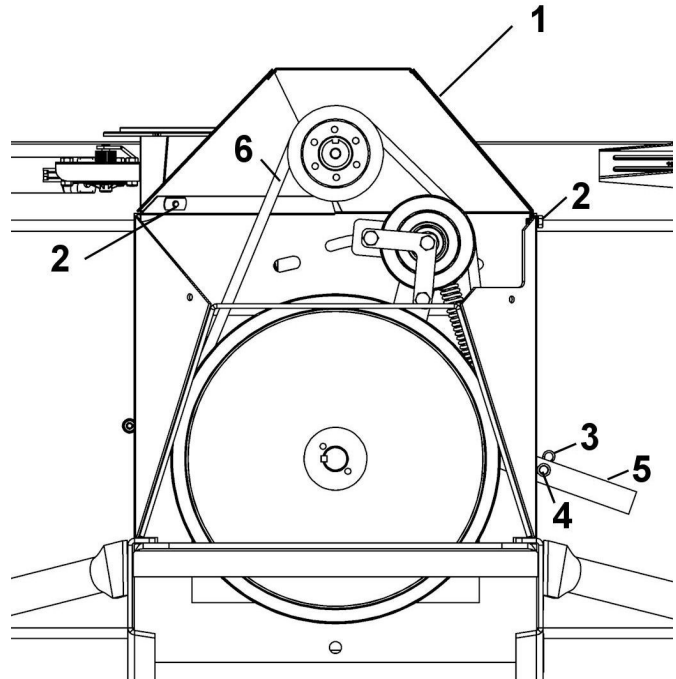


Never use the snowblower without the belt guard.

#### **BELT REPLACEMENT:**

For belt part number, refer to parts breakdown section for parts identification.

- Remove the belt guard (item 1) by removing the three hex bolts  $1/4" \times 1/2"$  (item 2) and the three lock washers.
- Remove the hair pin (item 3) and the pin (item 4). Raise the lever (item 5) to remove the tension on the belts.
- Remove the old belts (item 6) and install the new ones. Make sure the belts are matched up and sold as a pair.
- Reapply tension on the belts and secure the lever in place with the pin and hair pin.
- Reinstall the belt guard.



Belt replacement

# MAINTENANCE

## REPLACING ONE OR TWO SECTIONS OF THE AUGERS AND / OR THE GEAR BOX

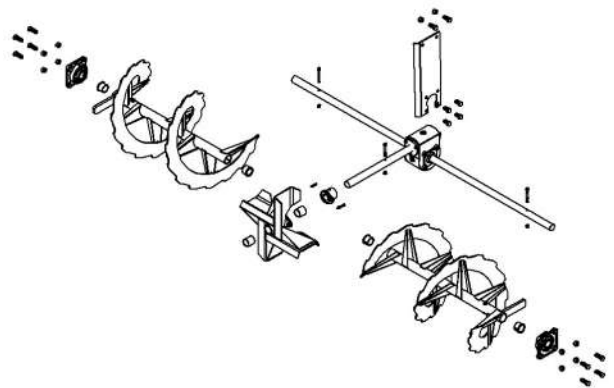
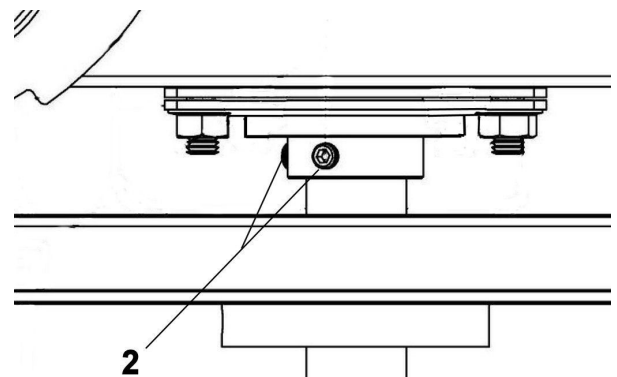
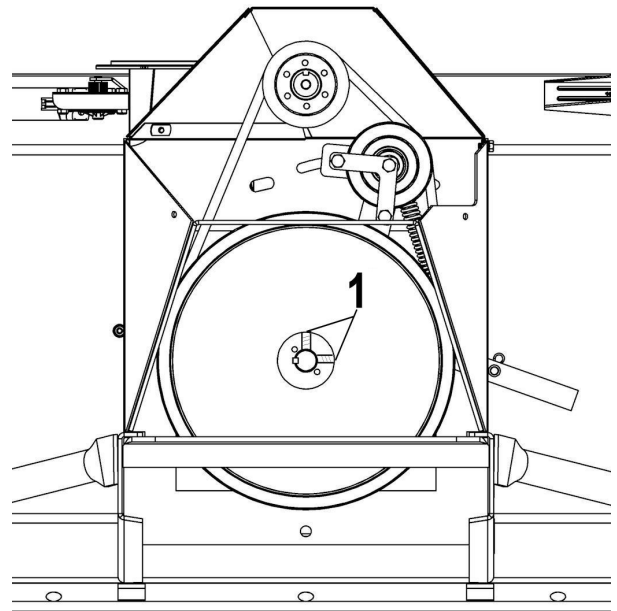
For belt part numbers, refer to snowblower parts breakdown section for parts identification

**Snowblower must be detached & disconnected from the vehicle to replace the auger or the gear box.**

- a) Remove the gas tank from the support (place on the ground to avoid any spills)
- b) Remove the belt guard.
- c) Remove the belts.
- d) Turn the snowblower face down (optional).
- e) Loosen the two set screws (item 1) on the pulleys (it may be necessary to heat the set screws and center of pulleys to soften the "loctite").
- f) Remove the pulleys.
- g) Loosen the two set screws (item 2) on the bearing behind the snowblower (it may be necessary to heat the set screws to soften the "loctite").
- h) Remove all the bolts (item 3) and the nuts that support the gear box and its support.
- i) Remove the assembly (gear box, its support, the fan and augers) from the snowblower and save the nylon bushings and bearings.
- j) Replace the appropriate parts. Insert the shaft and the key into the new gear box (if required).
- k) Install the new auger or augers on their respective side in the position shown with the same nylon bushings on the shaft of the new gear box as shown.
- l) Re-install parts by repeating steps backwards.

**IMPORTANT:** Clean the parts and apply some Loctite 2760 on the key of the pulleys and on the set screws of the bearings and those of the pulleys. Firmly tighten the set screws.

**Follow the instructions in the belt replacement .**



## **DISMOUNTING & STORAGE**

### **DISMOUNTING**

- a) Select a level surface, set parking brake, stop the engine, and remove the ignition key to prevent accidental starting.
- b) Lower the accessory to the ground.
- c) Disconnect the wires that unite the accessory to the vehicle.
- d) Unhook the turnbuckles from the front of the vehicle, (Tip: slacken one of the turnbuckles in order to keep the adjustment), the hook from the winch.
- e) Remove the assembled hitch support from the vehicle's tow hitch ball.
- f) Remove the vehicle.

### **STORAGE**

- a) Clean snowblower and subframe thoroughly and repaint all parts from which paint has worn.
- b) List the replacement parts that will be needed to be replaced before the next season.
- c) Follow the instructions in the Lubrication section.
- d) Concerning the snowblower engine, follow the instructions in the engine owner's manual.
- e) Store the snowblower and the subframe in a dry place.

# TROUBLESHOOTING

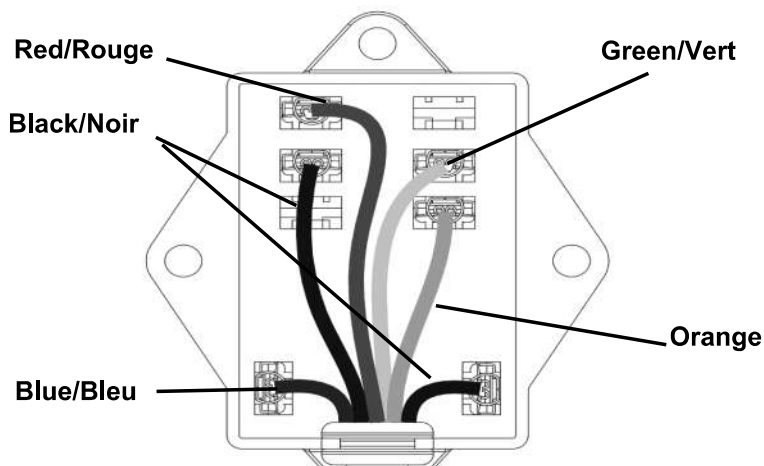
\* Please refer to parts breakdown section for parts identification.

PROBLEM	POSSIBLE CAUSES	CORRECTIVE ACTION
Snowblower vibrates or is abnormally noisy .  Snowblower bouncing up & down when ingesting snow.	Damaged pulley	Replace pulley
	Damaged bearing	Replace the bearing
	Fan or the augers are damaged	Remove and straighten or replace the parts
	Fan or auger bushings are worn	Replace with new bushings
	Augers are not positioned properly	Make sure the ends of the 2 augers are positioned 180 degrees from one and other when replacing shear bolts. (See auger & fan shear bolt replacement section in owner's manual)
Fan stops turning	Shear bolt is probably broken	Replace shear bolt (see maintenance section).
Auger stops turning	Shear bolt is probably broken	Replace shear bolt (see maintenance section).
Snowblower stops turning.	Belt is probably damaged or broken	Check and replace damaged belt
Belts is snapping, shredding, burning or worn in a specific place	Snowblower was engaged when plugged	Make sure the auger and the fan are not frozen or plugged before engaging
	Lack of tension on the belt	Adjust the tensioner spring or replace spring if stretched.
Belts show premature wear	Not the original belts	Always use the original belts
	Worn belt, Belt may be worn causing a slack.	Inspect the belt. Replace if required.
	Not the original shear bolts	Always replace the shear bolts with an original bolt.
	Imperfections in the pulleys	Verify if the pulleys are damaged. Verify that the pulleys are smooth without rust spots. Sand down the pulleys or replace them.
	Interference	Make sure that the belt does not come into contact with any other part, bolts, guides etc... when engaged.
Chute rotation is difficult	Dirt or ice may be underneath chute.	Dismount chute. Clean the base of chute and the rotation ring. Lubricate & re-install.
Chute plugs easily.	Snowblower engine running too slowly.	Run engine at full R.P.M. during snow blowing operation.
	Advancing too quickly with vehicle.	Reduce vehicle's speed.. Allow snowblower to ingest snow at its own speed.

## TROUBLESHOOTING

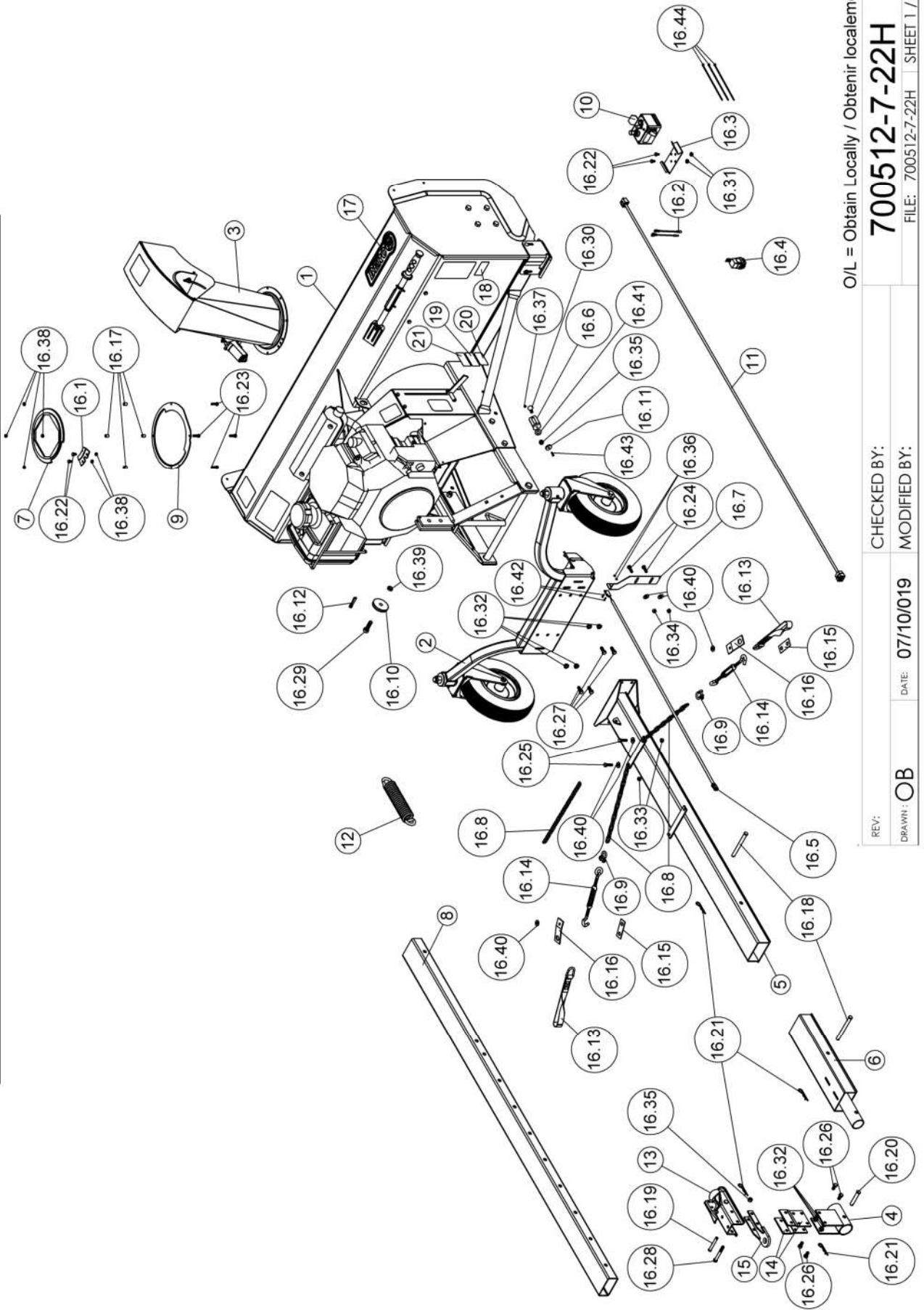
PROBLEM	POSSIBLE CAUSES	CORRECTIVE ACTION
Snowblower digs into ground.  Snowblower does not raise evenly.  The engine does not start	Ground is not frozen or too soft.	Adjust skid shoes lower so they may better support the snowblower. If problem persists, change skid shoes for heavy duty skid shoes (option #700243) which cover more surface and prevents snowblower from digging.
	Pressure of the subframe tires is uneven from one side to another.	Tire pressure must be even on both sides. 50 p.s.i.
	The emergency button is pushed down.	The emergency button must be pulled up to start the engine of the snowblower.
	The electromagnetic clutch is activated.	Deactivate the electromagnetic clutch.
	Other reasons.	See owner's manual
Electric chute motor does not work.	Overheating of the motor.	These motors are equipped with an internal protector. Wait 10 minutes before using.
	Frozen motor or chute.	Slap the chute or wiggle from side to side.
	Defective control box or broken wire harness.	Replace control box or wire harness.
	Loose connectors or oxidation on connectors or motor.	Retighten or clean connectors. Or replace connector part # 106201.
Electric clutch slips	Insufficient electrical current.	Recharge vehicle's battery.
	Electrical current is cut off.	Replace damaged wiring.
	Clutch basket is contaminated.	Clean plates with brake cleaner.
Electric clutch is noisy or vibrates abnormally.	Mounting bolts are loose.	Tighten or replace bolts.
	Certain clutch components may be damaged.	Repair or replace damaged components.

In the case of where the wires become disconnected from the relay, refer to the drawing below to reconnect them in their proper place.





**NOMENCLATURE ET LISTE DES PIÈCES / PARTS BREAKDOWN & PART LIST**  
 Souffleuse à Neige 66" pour VU "Vantage" #700512-7-22H  
 Snowblower 66" for UV "Vantage" #700512-7-22H



O/L = Obtain Locally / Obtenir localement

**700512-7-22H**

FILE: 700512-7-22H SHEET 1 / 5

CHECKED BY:

MODIFIED BY:

DATE: 07/10/019

REV: DRAWN: OB

**NOMENCLATURE ET LISTE DES PIÈCES / PARTS BREAKDOWN & PART LIST**  
**Souffleuse à Neige 66" pour VU "Vantage" #700512-7-22H**  
**Snowblower 66" for UV "Vantage" #700512-7-22H**

REF.	ENGLISH DESCRIPTION	DESCRIPTION FRANÇAISE	QTY.	PART#
1	66" snowblower assembly	Souffleuse assemblée 66"	1	501468
2	Wheel Assembly	Roue assemblée	1	501122
3	Chute assembly	Goulotte assemblée	1	501117
4	Hitch support	Support d'attache	1	104958
5	Subframe	Sous-châssis	1	104957
6	Rear bracket	Fixation arrière	1	104956
7	Rotation ring	Anneau de rotation	1	105429
8	Adjustment tube	Tube d'ajustement	1	109530
9	Rotation ring	Anneau de rotation	1	109550
10	Control box assembly	Boîte de contrôle assemblé	1	106564
11	Wire control box extension	Extension du fil de la boîte de contrôle	1	105400
12	Spring	Ressort	1	105356
13	Hitch	Attache	1	106130
14	Hitch support plate	Plaque de support d'attache	2	104641
15	Hitch Ball Support	Support de boule d'attache	1	106214
16	Hardware Bag	Sac de quincaillerie	1	109606
16.1	Retaining plate	Plaque de retenue	1	105488
16.2	Connector wire Kit	Ensemble de fil connecteur	1	106079
16.3	Box support	Support de la boîte	1	104756
16.4	Wire assembly including plug #108406	Fil assemblé avec bouchon #108406	1	108404
16.5	Wire assembly	Fil assemblé	1	108405
16.6	Square	Équerre	1	108450
16.7	Sensor support	Support de capteur	1	108449
16.8	Chain	Chaîne	3	104633
16.9	Shackle Ptd Z	Clevis Pqé Z	2	102343
16.10	Pulley	Poulie	1	106138
16.11	Magnet	Aimant	1	106037
16.12	Lynch pin	Goupille à anneau	1	103919
16.13	Lift strap	Sangle de relevage	2	103613
16.14	Turnbuckle	Tendeur	2	104634
16.15	Bracket	Fixation	2	104632
16.16	Bracket	Fixation	2	105194

O/L = Obtain Locally / Obtenir localement

Part numbers starting with **500XXX** are not available for sale, however, separate parts are available for sale individually.

Les numéros **500xxx** ne sont pas disponibles pour la vente. Au besoin, veuillez commander les numéros de pièces séparément.

**NOMENCLATURE ET LISTE DES PIÈCES / PARTS BREAKDOWN & PART LIST**  
**Souffleuse à Neige 66" pour VU "Vantage" #700512-7-22H**  
**Snowblower 66" for UV "Vantage" #700512-7-22H**

REF.	ENGLISH DESCRIPTION	DESCRIPTION FRANÇAISE	QTY.	PART#
16.17	Spacer	Espaceur	4	103361
16.18	Pin	Goupille	2	104961
16.19	Pin	Goupille	1	104642
16.20	Pin	Goupille	1	104999
16.21	Hair pin 3mm	Goupille à ressort 3mm	4	102617
16.22	Hex. bolt 1/4" n.c. x 1/2" GR5	Boulon hex. 1/4" n.c. x 1/2" GR5	4	O/L (300NC.5P_1-4x1-2)
16.23	Hex. bolt 1/4" n.c. x 1" GR5 FULLY THREADED	Boulon hex. 1/4" n.c. x 1" GR5 FILETÉ COMPLET	4	O/L (300NC.5P_1-4x1)
16.24	Hex. bolt 5/16" n.c. x 1" GR5	Boulon hex. 5/16" n.c. x 1" GR5	2	O/L (300NC.5P_5-16x1)
16.25	Hex. bolt 5/16" n.c. x 1 1/4" GR5	Boulon hex. 5/16" n.c. x 1 1/4" GR5	2	O/L (300NC.5P_5-16x1-1-4)
16.26	Hex. bolt 3/8" n.c. x 3/4" GR5	Boulon hex. 3/8" n.c. x 3/4" GR5	4	O/L (300NC.5P_3-8x3-4)
16.27	Hex. bolt 3/8" n.c. x 1" GR5	Boulon hex. 3/8" n.c. x 1" GR5	4	O/L (300NC.5P_3-8x1)
16.28	Hex. bolt 3/8" n.c. x 3" GR5	Boulon hex. 3/8" n.c. x 3" GR5	1	O/L (300NC.5P_3-8x3)
16.29	Hex. bolt 1/2" n.c. x 1 3/4" GR5	Boulon hex. 1/2" n.c. x 1 3/4" GR5	1	O/L (300NC.5P_1-2x1-3-4)
16.30	Carriage bolt 3/8" n.c. x 1 1/4 " GR5	Boulon à carrosserie 3/8" n.c. x 1 1/4 " GR5	1	O/L (320NC.5P_3-8x1-1-4)
16.31	Flange nut 1/4" n.c.	Écrou à bride 1/4" n.c.	2	O/L (334NC.P_1-4)
16.32	Flange nut 3/8" n.c.	Écrou à bride 3/8" n.c.	8	O/L (334NC.P_3-8)
16.33	Nylon Insert lock Nut 5/16" n.c. GR5	Écrou à garniture de nylon 5/16" n.c. GR5	2	O/L (335NC.P_5-16)
16.34	Nylon Insert lock Nut 5/16" n.c. GR5	Écrou à garniture de nylon 5/16" n.c. GR5	2	O/L (335NC.P_5-16)
16.35	Nylon Insert Lock Nut 3/8" n.c.	Écrou à garniture de nylon 3/8" n.c.	2	O/L (335NC.P_3-8)
16.36	Nylon insert lock nut #4X40	Ecrou a garniture de nylon #4X40	2	O/L (335NC.P_#4x40)
16.37	Nylon Insert lock Nut #6x32 n.c.	Écrou à garniture de nylon #6x32 n.c.	1	O/L (335NC.P_#6X32)
16.38	Nylon insert lock nut 1/4" n.c. (thin)	Écrou à garniture de nylon 1/4" n.c. (mince)	6	O/L (336NC.P_1-4)
16.39	Nylon insert lock nut 1/2" n.c. (thin)	Écrou à garniture de nylon 1/2" n.c. (mince)	1	O/L (336NC.P_1-2)
16.40	Flat washer 3/8" hole	Rondelle plate 3/8" trou	6	O/L (360.P_3-8T)
16.41	Flat washer 7/16" hole	Rondelle plate 7/16" trou	1	O/L (360.P_7-16T)
16.42	Machine screw pan Head #4X40 x 1-2	Vis mecanique tete pan #4X40 x 1-2	2	O/L (395NC.P_#4x40x1-2)
16.43	Machine screw Pan head #6 x 32 x 9/16"	Vis mécanique tête pan #6 x 32 x 9/16"	1	O/L (395NC.P_#6x32x9-16)
16.44	Tie wrap 8" (black), 50lbs, Weather & UV-Resistant nylon 6.6	Attache de nylon 8" (noir) ,50lbs, Weather & UV-Resistant nylon 6.6	3	O/L (426-8)
17	Berco decal	Décalque Berco	1	103785
18	Specifications decal	Décalque spécifications	1	REF.
19	Serial number	Numéro de série	1	REF.
20	Made in Canada decal	Décalque Fabriqué au Canada	1	REF.
21	EPA decal	Décalque EPA	1	REF.

O/  
L

= Obtain Locally / Obtenir localement



**NOMENCLATURE ET LISTE DES PIÈCES / PARTS BREAKDOWN & PART LIST**  
**Souffleuse à Neige 66" pour VU "Vantage" #700512-7-25K**  
**Snowblower 66" for UV "Vantage" #700512-7-25K**

REF.	ENGLISH DESCRIPTION	DESCRIPTION FRANÇAISE	QTY.	PART#
1	66" snowblower assembly	Souffleuse assemblée 66"	1	501492
2	Wheel Assembly	Roue assemblée	1	501122
3	Chute assembly	Goulotte assemblée	1	501117
4	Hitch support	Support d'attache	1	104958
5	Subframe	Sous-châssis	1	104957
6	Rear bracket	Fixation arrière	1	104956
7	Rotation ring	Anneau de rotation	1	105429
8	Adjustment tube	Tube d'ajustement	1	109530
9	Rotation ring	Anneau de rotation	1	109550
10	Control box assembly	Boîte de contrôle assemblé	1	106564
11	Wire control box extension	Extension du fil de la boîte de contrôle	1	105400
12	Spring	Ressort	1	105356
13	Hitch	Attache	1	106130
14	Hitch support plate	Plaque de support d'attache	2	104641
15	Hitch Ball Support	Support de boule d'attache	1	106214
16	Hardware Bag	Sac de Quincaillerie	1	109606
16.1	Retaining plate	Plaque de retenue	1	105488
16.2	Connector wire Kit	Ensemble de fil connecteur	1	106079
16.3	Box support	Support de la boîte	1	104756
16.4	Wire assembly including plug #108406	Fil assemblé avec bouchon #108406	1	108404
16.5	Wire assembly	Fil assemblé	1	108405
16.6	Square	Équerre	1	108450
16.7	Sensor support	Support de capteur	1	108449
16.8	Chain	Chaîne	3	104633
16.9	Shackle Ptd Z	Clevis Pqé Z	2	102343
16.10	Pulley	Poulie	1	106138
16.11	Magnet	Aimant	1	106037
16.12	Lynch pin	Goupille à anneau	1	103919
16.13	Lift strap	Sangle de relevage	2	103613
16.14	Turnbuckle	Tendeur	2	104634
16.15	Bracket	Fixation	2	104632
16.16	Bracket	Fixation	2	105194
16.17	Spacer	Espaceur	4	103361

O/L = Obtain Locally / Obtenir localement

Part numbers starting with **500XXX** are not available for sale, however, separate parts are available for sale individually.

**NOMENCLATURE ET LISTE DES PIÈCES / PARTS BREAKDOWN & PART LIST**  
**Souffleuse à Neige 66" pour VU "Vantage" #700512-7-25K**  
**Snowblower 66" for UV "Vantage" #700512-7-25K**

REF.	ENGLISH DESCRIPTION	DESCRIPTION FRANÇAISE	QTY.	PART#
16.18	Pin	Goupille	2	104961
16.19	Pin	Goupille	1	104642
16.20	Pin	Goupille	1	104999
16.21	Hair pin 3mm	Goupille à ressort 3mm	4	102617
16.22	Hex. bolt 1/4" n.c. x 1/2" GR5	Boulon hex. 1/4" n.c. x 1/2" GR5	4	O/L (300NC.5P_1-4x1-2)
16.23	Hex. bolt 1/4" n.c. x 1" GR5 FULLY THREADED	Boulon hex. 1/4" n.c. x 1" GR5 FILETÉ COMPLET	4	O/L (300NC.5P_1-4x1)
16.24	Hex. bolt 5/16" n.c. x 1" GR5	Boulon hex. 5/16" n.c. x 1" GR5	2	O/L (300NC.5P_5-16x1)
16.25	Hex. bolt 5/16" n.c. x 1 1/4" GR5	Boulon hex. 5/16" n.c. x 1 1/4" GR5	2	O/L (300NC.5P_5-16x1-1-4)
16.26	Hex. bolt 3/8" n.c. x 3/4" GR5	Boulon hex. 3/8" n.c. x 3/4" GR5	4	O/L (300NC.5P_3-8x3-4)
16.27	Hex. bolt 3/8" n.c. x 1" GR5	Boulon hex. 3/8" n.c. x 1" GR5	4	O/L (300NC.5P_3-8x1)
16.28	Hex. bolt 3/8" n.c. x 3" GR5	Boulon hex. 3/8" n.c. x 3" GR5	1	O/L (300NC.5P_3-8x3)
16.29	Hex. bolt 1/2" n.c. x 1 3/4" GR5	Boulon hex. 1/2" n.c. x 1 3/4" GR5	1	O/L (300NC.5P_1-2x1-3-4)
16.30	Carriage bolt 3/8" n.c. x 1 1/4 " GR5	Boulon à carrosserie 3/8" n.c. x 1 1/4 " GR5	1	O/L (320NC.5P_3-8x1-1-4)
16.31	Flange nut 1/4" n.c.	Écrou à bride 1/4" n.c.	2	O/L (334NC.P_1-4)
16.32	Flange nut 3/8" n.c.	Écrou à bride 3/8" n.c.	8	O/L (334NC.P_3-8)
16.33	Nylon Insert lock Nut 5/16" n.c. GR5	Écrou à garniture de nylon 5/16" n.c. GR5	2	O/L (335NC.P_5-16)
16.34	Nylon Insert lock Nut 5/16" n.c. GR5	Écrou à garniture de nylon 5/16" n.c. GR5	2	O/L (335NC.P_5-16)
16.35	Nylon Insert Lock Nut 3/8" n.c.	Écrou à garniture de nylon 3/8" n.c.	2	O/L (335NC.P_3-8)
16.36	Nylon insert lock nut #4X40	Ecrou a garniture de nylon #4X40	2	O/L (335NC.P_#4x40)
16.37	Nylon Insert lock Nut #6x32 n.c.	Écrou à garniture de nylon #6x32 n.c.	1	O/L (335NC.P_#6X32)
16.38	Nylon insert lock nut 1/4" n.c. (thin)	Écrou à garniture de nylon 1/4" n.c. (mince)	6	O/L (336NC.P_1-4)
16.39	Nylon insert lock nut 1/2" n.c. (thin)	Écrou à garniture de nylon 1/2" n.c. (mince)	1	O/L (336NC.P_1-2)
16.40	Flat washer 3/8" hole	Rondelle plate 3/8" trou	6	O/L (360.P_3-8T)
16.41	Flat washer 7/16" hole	Rondelle plate 7/16" trou	1	O/L (360.P_7-16T)
16.42	Machine screw pan Head #4X40 x 1-2	Vis mecanique tete pan #4X40 x 1-2	2	O/L (395NC.P_#4x40x1-2)
16.43	Machine screw Pan head #6 x 32 x 9/16"	Vis mécanique tête pan #6 x 32 x 9/16"	1	O/L (395NC.P_#6x32x9-16)
16.44	Tie wrap 8" (black), 50lbs, Weather & UV-Resistant nylon 6.6	Attache de nylon 8" (noir) ,50lbs, Weather & UV-Resistant nylon 6.6	3	O/L (426-8)
17	Berco decal	Décalque Berco	1	103785
18	Specifications decal	Décalque spécifications	1	REF.
19	Serial number	Numéro de série	1	REF.
20	Made in Canada decal	Décalque Fabriqué au Canada	1	REF.
21	EPA decal	Décalque EPA	1	REF.

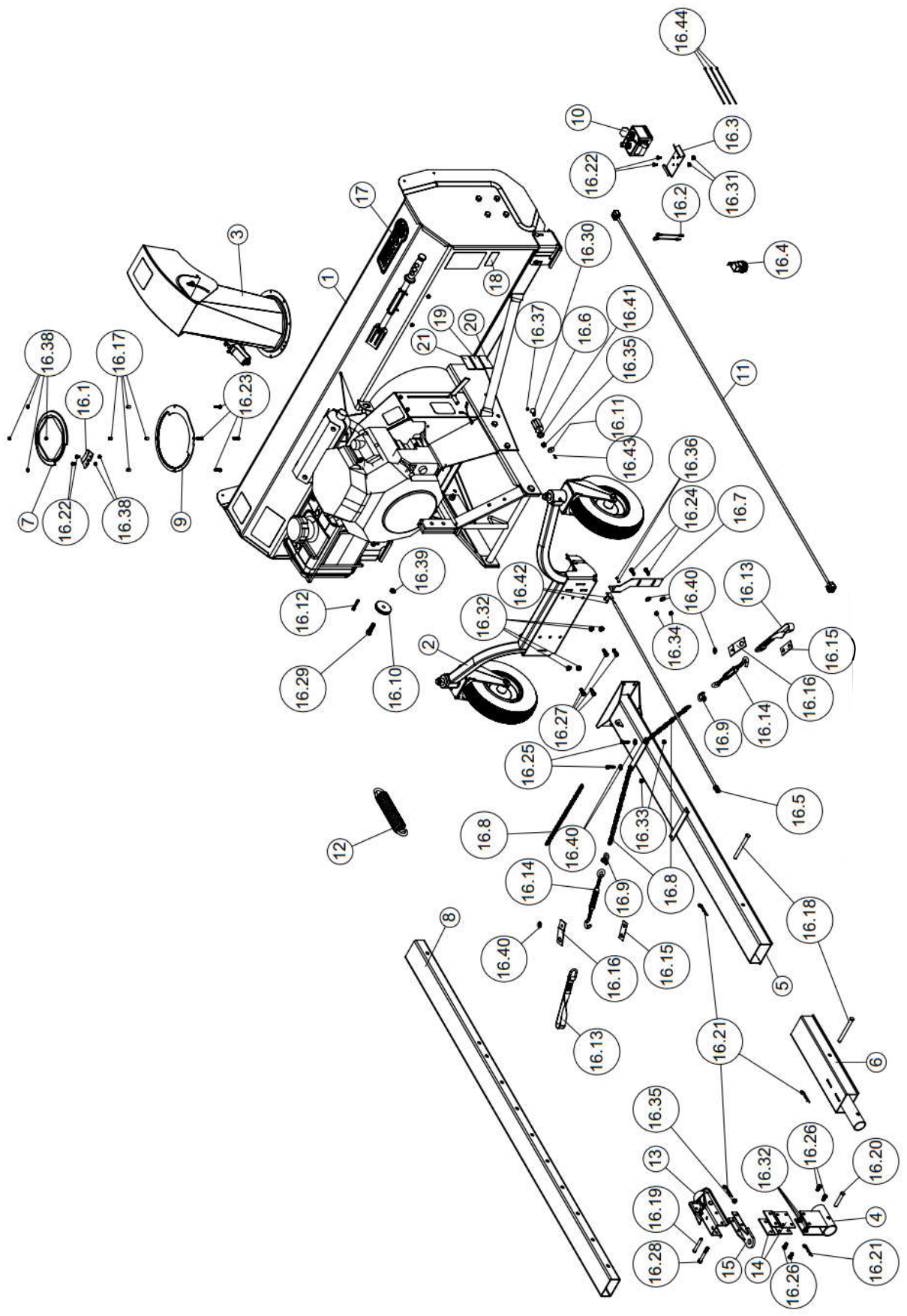
O/L = Obtain Locally / Obtenir localement

Part numbers starting with **500XXX** are not available for sale, however, separate parts are available for sale individually.

Les numéros **500xxx** ne sont pas disponibles pour la vente. Au besoin, veuillez commander les numéros de pièces séparément.



**NOMENCLATURE ET LISTE DES PIÈCES / PARTS BREAKDOWN & PART LIST**  
 Souffleuse à Neige 72" pour VU "Vantage" #700513-7-22H  
 Snowblower 72" for UV "Vantage" #700513-7-22H



**NOMENCLATURE ET LISTE DES PIÈCES / PARTS BREAKDOWN & PART LIST**  
**Souffleuse à Neige 72" pour VU "Vantage" #700513-7-22H**  
**Snowblower 72" for UV "Vantage" #700513-7-22H**

REF.	ENGLISH DESCRIPTION	DESCRIPTION FRANÇAISE	QTY.	PART#
1	72" snowblower assembly	Souffleuse assemblée 72"	1	501469
2	Wheel Assembly	Roue assemblée	1	501122
3	Chute assembly	Goulotte assemblée	1	501117
4	Hitch support	Support d'attache	1	104958
5	Subframe	Sous-châssis	1	104957
6	Rear bracket	Fixation arrière	1	104956
7	Rotation ring	Anneau de rotation	1	105429
8	Adjustment tube	Tube d'ajustement	1	109530
9	Rotation ring	Anneau de rotation	1	109550
10	Control box assembly	Boîte de contrôle assemblé	1	106564
11	Wire control box extension	Extension du fil de la boîte de contrôle	1	105400
12	Spring	Ressort	1	105356
13	Hitch	Attache	1	106130
14	Hitch support plate	Plaque de support d'attache	2	104641
15	Hitch Ball Support	Support de boule d'attache	1	106214
16	Hardware Bag	Sac de Quincaillerie	1	108441
16.1	Retaining plate	Plaque de retenue	1	105488
16.2	Connector wire Kit	Ensemble de fil connecteur	1	106079
16.3	Box support	Support de la boîte	1	104756
16.4	Wire assembly including plug #108406	Fil assemblé avec bouchon #108406	1	108404
16.5	Wire assembly	Fil assemblé	1	108405
16.6	Square	Équerre	1	108450
16.7	Sensor support	Support de capteur	1	108449
16.8	Chain	Chaîne	3	104633
16.9	Shackle Ptd Z	Clevis Pqé Z	2	102343
16.10	Pulley	Poulie	1	106138
16.11	Magnet	Aimant	1	106037
16.12	Lynch pin	Goupille à anneau	1	103919
16.13	Lift strap	Sangle de relevage	2	103613
16.14	Turnbuckle	Tendeur	2	104634
16.15	Bracket	Fixation	2	104632
16.16	Bracket	Fixation	2	105194
16.17	Spacer	Espaceur	4	103361

O/L = Obtain Locally / Obtenir localement

Part numbers starting with **500XXX** are not available for sale, however, separate parts are available for sale individually.

Les numéros **500xxx** ne sont pas disponibles pour la vente. Au besoin, veuillez commander les numéros de pièces séparément.



**NOMENCLATURE ET LISTE DES PIÈCES / PARTS BREAKDOWN & PART LIST**  
**Souffleuse à Neige 72" pour VU "Vantage" #700513-7-22H**  
**Snowblower 72" for UV "Vantage" #700513-7-22H**

REF.	ENGLISH DESCRIPTION	DESCRIPTION FRANÇAISE	QTY.	PART#
16.18	Pin	Goupille	2	104961
16.19	Pin	Goupille	1	104642
16.20	Pin	Goupille	1	104999
16.21	Hair pin 3mm	Goupille à ressort 3mm	4	102617
16.22	Hex. bolt 1/4" n.c. x 1/2" GR5	Boulon hex. 1/4" n.c. x 1/2" GR5	4	O/L (300NC.5P_1-4x1-2)
16.23	Hex. bolt 1/4" n.c. x 1" GR5 FULLY THREADED	Boulon hex. 1/4" n.c. x 1" GR5 FILETÉ COMPLET	4	O/L (300NC.5P_1-4x1)
16.24	Hex. bolt 5/16" n.c. x 1" GR5	Boulon hex. 5/16" n.c. x 1" GR5	2	O/L (300NC.5P_5-16x1)
16.25	Hex. bolt 5/16" n.c. x 1 1/4" GR5	Boulon hex. 5/16" n.c. x 1 1/4" GR5	2	O/L (300NC.5P_5-16x1-1-4)
16.26	Hex. bolt 3/8" n.c. x 3/4" GR5	Boulon hex. 3/8" n.c. x 3/4" GR5	4	O/L (300NC.5P_3-8x3-4)
16.27	Hex. bolt 3/8" n.c. x 1" GR5	Boulon hex. 3/8" n.c. x 1" GR5	4	O/L (300NC.5P_3-8x1)
16.28	Hex. bolt 3/8" n.c. x 3" GR5	Boulon hex. 3/8" n.c. x 3" GR5	1	O/L (300NC.5P_3-8x3)
16.29	Hex. bolt 1/2" n.c. x 1 3/4" GR5	Boulon hex. 1/2" n.c. x 1 3/4" GR5	1	O/L (300NC.5P_1-2x1-3-4)
16.30	Carriage bolt 3/8" n.c. x 1 1/4 " GR5	Boulon à carrosserie 3/8" n.c. x 1 1/4 " GR5	1	O/L (320NC.5P_3-8x1-1-4)
16.31	Flange nut 1/4" n.c.	Écrou à bride 1/4" n.c.	2	O/L (334NC.P_1-4)
16.32	Flange nut 3/8" n.c.	Écrou à bride 3/8" n.c.	8	O/L (334NC.P_3-8)
16.33	Nylon Insert lock Nut 5/16" n.c. GR5	Écrou à garniture de nylon 5/16" n.c. GR5	2	O/L (335NC.P_5-16)
16.34	Nylon Insert lock Nut 5/16" n.c. GR5	Écrou à garniture de nylon 5/16" n.c. GR5	2	O/L (335NC.P_5-16)
16.35	Nylon Insert Lock Nut 3/8" n.c.	Écrou à garniture de nylon 3/8" n.c.	2	O/L (335NC.P_3-8)
16.36	Nylon insert lock nut #4X40	Ecrou a garniture de nylon #4X40	2	O/L (335NC.P_#4x40)
16.37	Nylon Insert lock Nut #6x32 n.c.	Écrou à garniture de nylon #6x32 n.c.	1	O/L (335NC.P_#6X32)
16.38	Nylon insert lock nut 1/4" n.c. (thin)	Écrou à garniture de nylon 1/4" n.c. (mince)	6	O/L (336NC.P_1-4)
16.39	Nylon insert lock nut 1/2" n.c. (thin)	Écrou à garniture de nylon 1/2" n.c. (mince)	1	O/L (336NC.P_1-2)
16.40	Flat washer 3/8" hole	Rondelle plate 3/8" trou	6	O/L (360.P_3-8T)
16.41	Flat washer 7/16" hole	Rondelle plate 7/16" trou	1	O/L (360.P_7-16T)
16.42	Machine screw pan Head #4X40 x 1-2	Vis mecanique tete pan #4X40 x 1-2	2	O/L (395NC.P_#4x40x1-2)
16.43	Machine screw Pan head #6 x 32 x 9/16"	Vis mécanique tête pan #6 x 32 x 9/16"	1	O/L (395NC.P_#6x32x9-16)
16.44	Tie wrap 8" (black), 50lbs, Weather & UV-Resistant nylon 6.6	Attache de nylon 8" (noir) ,50lbs, Weather & UV-Resistant nylon 6.6	3	O/L (426-8)
17	Berco decal	Décalque Berco	1	103785
18	Specifications decal	Décalque spécifications	1	REF.
19	Serial number	Numéro de série	1	REF.
20	Made in Canada decal	Décalque Fabriqué au Canada	1	REF.
21	EPA decal	Décalque EPA	1	REF.

O/L = Obtain Locally / Obtenir localement

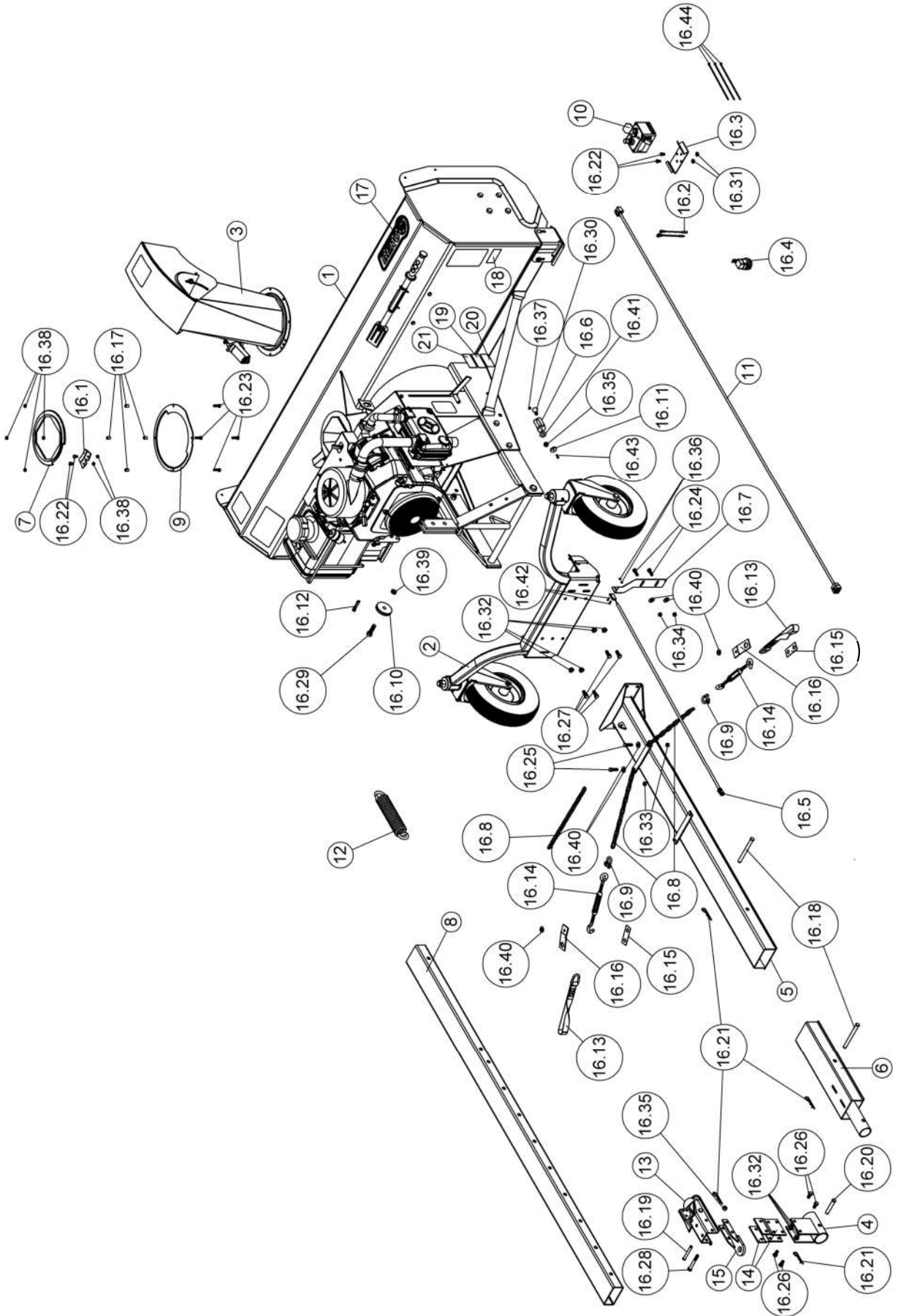
Part numbers starting with **500XXX** are not available for sale, however, separate parts are available for sale individually.

Les numéros **500xxx** ne sont pas disponibles pour la vente. Au besoin, veuillez commander les numéros de pièces séparément.

**NOMENCLATURE ET LISTE DES PIÈCES / PARTS BREAKDOWN & PART LIST**

Souffleuse à Neige 72" pour VU "Vantage" #700513-7-25K

Snowblower 72" for UV "Vantage" #700513-7-25K



**NOMENCLATURE ET LISTE DES PIÈCES / PARTS BREAKDOWN & PART LIST**  
**Souffleuse à Neige 72" pour VU "Vantage" #700513-7-25K**  
**Snowblower 72" for UV "Vantage" #700513-7-25K**

REF.	ENGLISH DESCRIPTION	DESCRIPTION FRANÇAISE	QTY.	PART#
1	72" snowblower assembly	Souffleuse assemblée 72"	1	501494
2	Wheel Assembly	Roue assemblée	1	501122
3	Chute assembly	Goulotte assemblée	1	501117
4	Hitch support	Support d'attache	1	104958
5	Subframe	Sous-châssis	1	104957
6	Rear bracket	Fixation arrière	1	104956
7	Rotation ring	Anneau de rotation	1	105429
8	Adjustment tube	Tube d'ajustement	1	109530
9	Rotation ring	Anneau de rotation	1	109550
10	Control box assembly	Boîte de contrôle assemblé	1	106564
11	Wire control box extension	Extension du fil de la boîte de contrôle	1	105400
12	Spring	Ressort	1	105356
13	Hitch	Attache	1	106130
14	Hitch support plate	Plaque de support d'attache	2	104641
15	Hitch Ball Support	Support de boule d'attache	1	106214
16	Hardware Bag	Sac de Quincaillerie	1	109606
16.1	Retaining plate	Plaque de retenue	1	105488
16.2	Connector wire Kit	Ensemble de fil connecteur	1	106079
16.3	Box support	Support de la boîte	1	104756
16.4	Wire assembly including plug #108406	Fil assemblé avec bouchon #108406	1	108404
16.5	Wire assembly	Fil assemblé	1	108405
16.6	Square	Équerre	1	108450
16.7	Sensor support	Support de capteur	1	108449
16.8	Chain	Chaîne	3	104633
16.9	Shackle Ptd Z	Clevis Pqé Z	2	102343
16.10	Pulley	Poulie	1	106138
16.11	Magnet	Aimant	1	106037
16.12	Lynch pin	Goupille à anneau	1	103919
16.13	Lift strap	Sangle de relevage	2	103613
16.14	Turnbuckle	Tendeur	2	104634
16.15	Bracket	Fixation	2	104632
16.16	Bracket	Fixation	2	105194

O/L = Obtain Locally / Obtenir localement

Part numbers starting with **500XXX** are not available for sale, however, separate parts are available for sale individually.

Les numéros **500xxx** ne sont pas disponibles pour la vente. Au besoin, veuillez commander les numéros de pièces séparément.

**NOMENCLATURE ET LISTE DES PIÈCES / PARTS BREAKDOWN & PART LIST**  
**Souffleuse à Neige 72" pour VU "Vantage" #700513-7-25K**  
**Snowblower 72" for UV "Vantage" #700513-7-25K**

REF.	ENGLISH DESCRIPTION	DESCRIPTION FRANÇAISE	QTY.	PART#
16.17	Spacer	Espaceur	4	103361
16.18	Pin	Goupille	2	104961
16.19	Pin	Goupille	1	104642
16.20	Pin	Goupille	1	104999
16.21	Hair pin 3mm	Goupille à ressort 3mm	4	102617
16.22	Hex. bolt 1/4" n.c. x 1/2" GR5	Boulon hex. 1/4" n.c. x 1/2" GR5	4	O/L (300NC.5P_1-4x1-2)
16.23	Hex. bolt 1/4" n.c. x 1" GR5 FULLY THREADED	Boulon hex. 1/4" n.c. x 1" GR5 FILETÉ COMPLET	4	O/L (300NC.5P_1-4x1)
16.24	Hex. bolt 5/16" n.c. x 1" GR5	Boulon hex. 5/16" n.c. x 1" GR5	2	O/L (300NC.5P_5-16x1)
16.25	Hex. bolt 5/16" n.c. x 1 1/4" GR5	Boulon hex. 5/16" n.c. x 1 1/4" GR5	2	O/L (300NC.5P_5-16x1-1-4)
16.26	Hex. bolt 3/8" n.c. x 3/4" GR5	Boulon hex. 3/8" n.c. x 3/4" GR5	4	O/L (300NC.5P_3-8x3-4)
16.27	Hex. bolt 3/8" n.c. x 1" GR5	Boulon hex. 3/8" n.c. x 1" GR5	4	O/L (300NC.5P_3-8x1)
16.28	Hex. bolt 3/8" n.c. x 3" GR5	Boulon hex. 3/8" n.c. x 3" GR5	1	O/L (300NC.5P_3-8x3)
16.29	Hex. bolt 1/2" n.c. x 1 3/4" GR5	Boulon hex. 1/2" n.c. x 1 3/4" GR5	1	O/L (300NC.5P_1-2x1-3-4)
16.30	Carriage bolt 3/8" n.c. x 1 1/4 " GR5	Boulon à carrosserie 3/8" n.c. x 1 1/4 " GR5	1	O/L (320NC.5P_3-8x1-1-4)
16.31	Flange nut 1/4" n.c.	Écrou à bride 1/4" n.c.	2	O/L (334NC.P_1-4)
16.32	Flange nut 3/8" n.c.	Écrou à bride 3/8" n.c.	8	O/L (334NC.P_3-8)
16.33	Nylon Insert lock Nut 5/16" n.c. GR5	Écrou à garniture de nylon 5/16" n.c. GR5	2	O/L (335NC.P_5-16)
16.34	Nylon Insert lock Nut 5/16" n.c. GR5	Écrou à garniture de nylon 5/16" n.c. GR5	2	O/L (335NC.P_5-16)
16.35	Nylon Insert Lock Nut 3/8" n.c.	Écrou à garniture de nylon 3/8" n.c.	2	O/L (335NC.P_3-8)
16.36	Nylon insert lock nut #4X40	Ecrou a garniture de nylon #4X40	2	O/L (335NC.P_#4x40)
16.37	Nylon Insert lock Nut #6x32 n.c.	Écrou à garniture de nylon #6x32 n.c.	1	O/L (335NC.P_#6X32)
16.38	Nylon insert lock nut 1/4" n.c. (thin)	Écrou à garniture de nylon 1/4" n.c. (mince)	6	O/L (336NC.P_1-4)
16.39	Nylon insert lock nut 1/2" n.c. (thin)	Écrou à garniture de nylon 1/2" n.c. (mince)	1	O/L (336NC.P_1-2)
16.40	Flat washer 3/8" hole	Rondelle plate 3/8" trou	6	O/L (360.P_3-8T)
16.41	Flat washer 7/16" hole	Rondelle plate 7/16" trou	1	O/L (360.P_7-16T)
16.42	Machine screw pan Head #4X40 x 1-2	Vis mecanique tete pan #4X40 x 1-2	2	O/L (395NC.P_#4x40x1-2)
16.43	Machine screw Pan head #6 x 32 x 9/16"	Vis mécanique tête pan #6 x 32 x 9/16"	1	O/L (395NC.P_#6x32x9-16)
16.44	Tie wrap 8" (black), 50lbs, Weather & UV-Resistant nylon 6.6	Attache de nylon 8" (noir) ,50lbs, Weather & UV-Resistant nylon 6.6	3	O/L (426-8)
17	Berco decal	Décalque Berco	1	103785
18	Specifications decal	Décalque spécifications	1	REF.
19	Serial number	Numéro de série	1	REF.
20	Made in Canada decal	Décalque Fabriqué au Canada	1	REF.
21	EPA decal	Décalque EPA	1	REF.

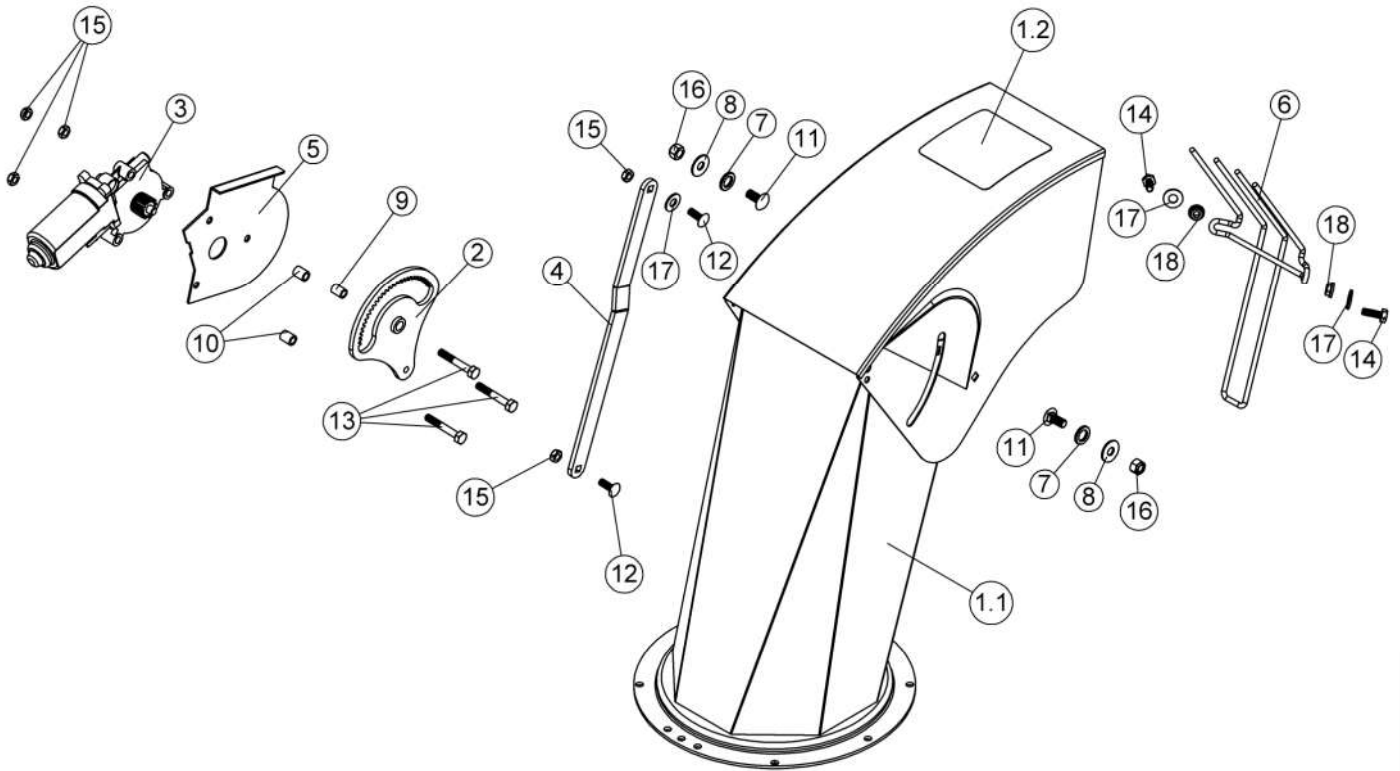
O/L = Obtain Locally / Obtenir localement

Part numbers starting with **500XXX** are not available for sale, however, separate parts are available for sale individually.

Les numéros **500xxx** ne sont pas disponibles pour la vente. Au besoin, veuillez commander les numéros de pièces séparément.



**NOMENCLATURE ET LISTE DES PIÈCES / PARTS BREAKDOWN & PART LIST**  
Goulotte assemblée #501117  
Chute assembly #501117



**NOMENCLATURE ET LISTE DES PIÈCES / PARTS BREAKDOWN & PART LIST**  
**Goulotte assemblée #501117**  
**Chute assembly #501117**

REF.	ENGLISH DESCRIPTION	DESCRIPTION FRANÇAISE	QTY.	PART#
1	Chute with safety decal	Goulotte avec decalque de sécurité	1	106707
1.1	Chute	Goulotte	1	106386
1.2	Danger decal chute	Décalque danger goulotte	1	105127
2	Lever	Levier	1	103365
3	Electric motor	Moteur électrique	1	106147
4	Arm	Bras	1	106385
5	Bracket	Support	1	105492
6	Hand guard	Fourche protectrice	1	105494
7	Nylon flat washer 7/16"	Rondelle plate de nylon 7/16"	2	102011
8	Nylon flat washer 11/32"	Rondelle plate de nylon 11/32"	2	102009
9	Oil lite bushing	Coussinet imprégné d'huile	1	103362
10	Spacer	Espaceur	2	103361
11	Carriage bolt 5/16" n.c. x 3/4 " GR5	Boulon à carrosserie 5/16" n.c. x 3/4 " GR5	2	O/L (320NC.5P_5-16x3-4)
12	Carriage bolt 1/4" n.c. x 3/4 " GR5	Boulon à carrosserie 1/4" n.c. x 3/4" GR5	2	O/L (320NC.5P_1-4x3-4)
13	Hex. bolt 1/4" n.c. x 1 3/4" GR5	Boulon hex. 1/4" n.c. x 1 3/4" GR5	3	O/L (300NC.5P_1-4x1-3-4)
14	Hex. bolt 1/4" n.c. x 3/4" GR5	Boulon hex. 1/4" n.c. x 3/4" GR5	2	O/L (300NC.5P_1-4x3-4)
15	Nylon insert lock nut 1/4" n.c. (thin)	Écrou à garniture de nylon 1/4" n.c. (mince)	5	O/L (336NC.P_1-4)
16	Nylon Insert lock Nut 5/16" n.c. GR5	Écrou à garniture de nylon 5/16" n.c. GR5	2	O/L (335NC.P_5-16)
17	Flat washer 5/16" hole	Rondelle plate 5/16" trou	3	O/L (360.P_5-16T)
18	Flange nut 1/4" n.c.	Écrou à bride 1/4" n.c.	2	O/L (334NC.P_1-4)

O/L = Obtain Locally / Obtenir localement

Part numbers starting with **500XXX** are not available for sale, however, separate parts are available for sale individually.

Les numéros **500xxx** ne sont pas disponibles pour la vente. Au besoin, veuillez commander les numéros de pièces séparément.



**NOMENCLATURE ET LISTE DES PIÈCES / PARTS BREAKDOWN & PART LIST**  
**Vis assemblées #501118**  
**Auger assembly #501118**

REF.	ENGLISH DESCRIPTION	DESCRIPTION FRANÇAISE	QTY.	PART#
1	Fan with bushing	Éventail avec coussinets	1	106700
2	Shear plate	Plaque de cisaillement	1	106705
3	Gear box left rotation	Boîte d'engrenage rotation gauche	1	106703
4	Shaft 66"	Arbre 66"	1	106339
5	Auger 66" right	Vis 66" droite	1	106331
6	Auger 66" left	Vis 66" gauche	1	106330
7	Flange Mounted Bearing	Roulement Appliqué	2	106150
8	Rotation bushing	Coussinet de rotation	4	106329
9	Shim	Espaceur	1	107991
10	Key 1/4" x 1/4" x 2"	Clé 1/4" x 1/4" x 2"	1	102922
11	Key 1/4" x 1/4" x 1 1/4"	Clé 1/4" x 1/4" x 1 1/4"	1	105399
12	Hex. bolt 1/2" n.c. x 1" GR5	Boulon hex. 1/2" n.c. x 1" GR5	4	O/L (300NC.5P_1-2x1)
13	Shear bolt / N.I.L.N. (fan) pkg-10	Boulon de séc./ É.G.N. (éven.) pqt-10	1	105627
14	Shear bolt / N.I.L.N. (auger) pkg-10	Boulon de séc. / É.G.N. (vis) pqt-10	2	106443
15	Hex. bolt 5/16" n.c. x 2 1/2" GR5	Boulon hex. 5/16" n.c. x 2 1/2" GR5	1	O/L (300NC.5P_5-16x2-1-2)
16	Nylon Insert lock Nut 5/16" n.c. GR5	Écrou à garniture de nylon 5/16" n.c. GR5	1	O/L (335NC.P_5-16)

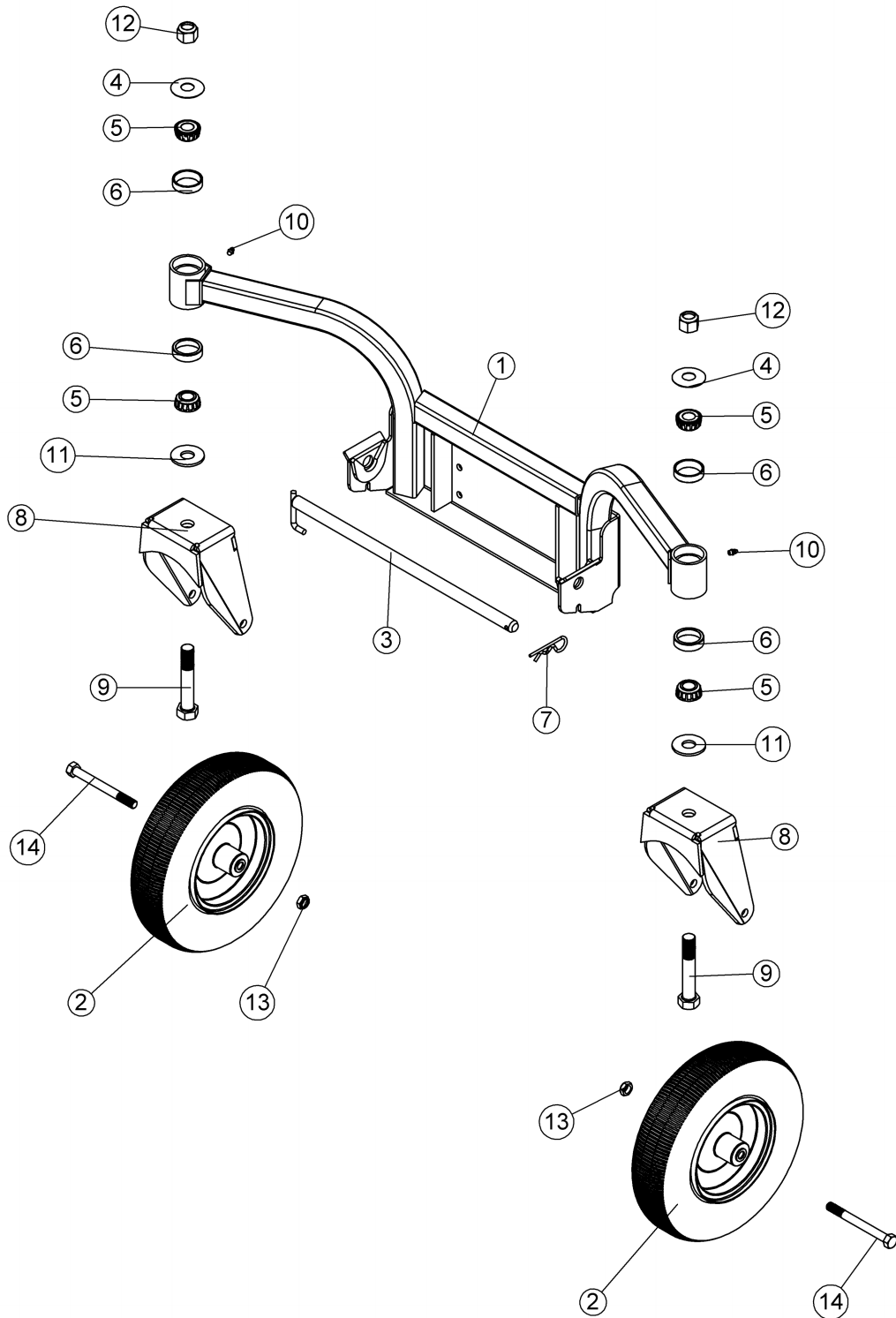
O/L = Obtain Locally / Obtenir localement

Part numbers starting with **500XXX** are not available for sale, however, separate parts are available for sale individually.

Les numéros **500xxx** ne sont pas disponibles pour la vente. Au besoin, veuillez commander les numéros de pièces séparément.



**NOMENCLATURE ET LISTE DES PIÈCES / PARTS BREAKDOWN & PART LIST**  
**Roue assemblée #501122**  
**Wheel Assembly #501122**



**NOMENCLATURE ET LISTE DES PIÈCES / PARTS BREAKDOWN & PART LIST**  
**Roue assemblée #501122**  
**Wheel Assembly #501122**

REF.	ENGLISH DESCRIPTION	DESCRIPTION FRANÇAISE	QTY.	PART#
1	Wheel support	Support de roue	1	106000
2	Wheel	Roue	2	105496
3	Pin	Goupille	1	105500
4	Seal washer	Rondelle d'étanchéité	2	102289
5	Cone bearing	Roulement conique	4	102369
6	Cup for bearing	Cuvette	4	102370
7	Hair pin 4mm	Goupille à ressort 4mm	1	102054
8	Wheel fork	Fourche de roue	2	105499
9	Rod	Tige	2	106272
10	Grease fitting 1/4" n.f.	Graisseur 1/4" n.f.	2	O/L (370.Z_1-4-NF)
11	Flat washer 13/16" hole	Rondelle plate 13/16" trou	2	O/L (360.P_13-16T)
12	Nylon Insert lock Nut 3/4" n.c.	Écrou à garniture de nylon 3/4" n.c.	2	O/L (335NC.P_3-4)
13	Nylon insert lock nut 1/2" n.c. (thin)	Écrou à garniture de nylon 1/2" n.c. (mince)	2	O/L (336NC.P_1-2)
14	Hex. bolt 1/2" n.c. x 5" GR5	Boulon hex. 1/2" n.c. x 5" GR5	2	O/L

O/L = Obtain Locally / Obtenir localement

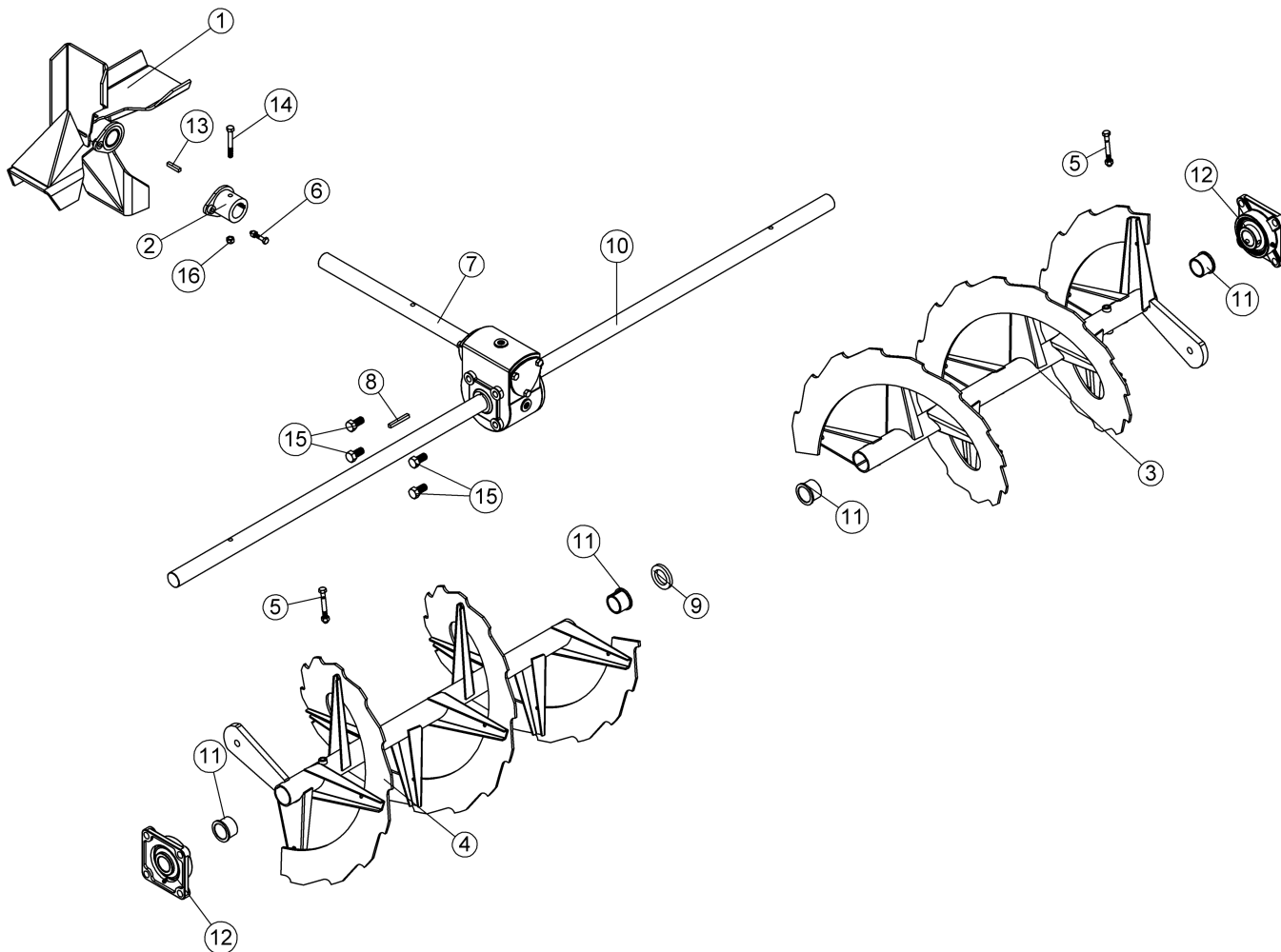
Part numbers starting with **500XXX** are not available for sale, however, separate parts are available for sale individually.

Les numéros **500xxx** ne sont pas disponibles pour la vente. Au besoin, veuillez commander les numéros de pièces séparément.

**NOMENCLATURE ET LISTE DES PIÈCES / PARTS BREAKDOWN & PART LIST**

Vis Assemblées #501126

Auger Assembly #501126



**NOMENCLATURE ET LISTE DES PIÈCES / PARTS BREAKDOWN & PART LIST**  
**Vis Assemblées #501126**  
**Auger Assembly #501126**

REF.	ENGLISH DESCRIPTION	DESCRIPTION FRANÇAISE	QTY.	PART#
1	Fan with bushing	Éventail avec coussinets	1	106700
2	Shear plate	Plaque de cisaillement	1	106705
3	Auger 72" left	Vis 72" gauche	1	106672
4	Auger 72" right	Vis 72" droite	1	106673
5	Shear bolt / N.I.L.N. (auger) pkg-10	Boulon de séc. / É.G.N. (vis) pqt-10	2	106443
6	Shear bolt / N.I.L.N. (fan) pkg-10	Boulon de séc./ É.G.N. (éven.) pqt-10	1	105627
7	Gear box left rotation	Boîte d'engrenage rotation gauche	1	106703
8	Key 1/4" x 1/4" x 2"	Clé 1/4" x 1/4" x 2"	1	102922
9	Shim	Espaceur	1	107991
10	Shaft 72"	Arbre 72"	1	106710
11	Rotation bushing	Coussinet de rotation	4	106329
12	Flange Mounted Bearing	Roulement Appliqué	2	106150
13	Key 1/4" x 1/4" x 1 1/4"	Clé 1/4" x 1/4" x 1 1/4"	1	105399
14	Hex. bolt 5/16" n.c. x 2 1/2" GR5	Boulon hex. 5/16" n.c. x 2 1/2" GR5	1	O/L (300NC.5P_5-16x2-1-2)
15	Hex. bolt 1/2" n.c. x 1" GR5	Boulon hex. 1/2" n.c. x 1" GR5	4	O/L (300NC.5P_1-2x1)
16	Nylon Insert lock Nut 5/16" n.c. GR5	Écrou à garniture de nylon 5/16" n.c. GR5	1	O/L (335NC.P_5-16)

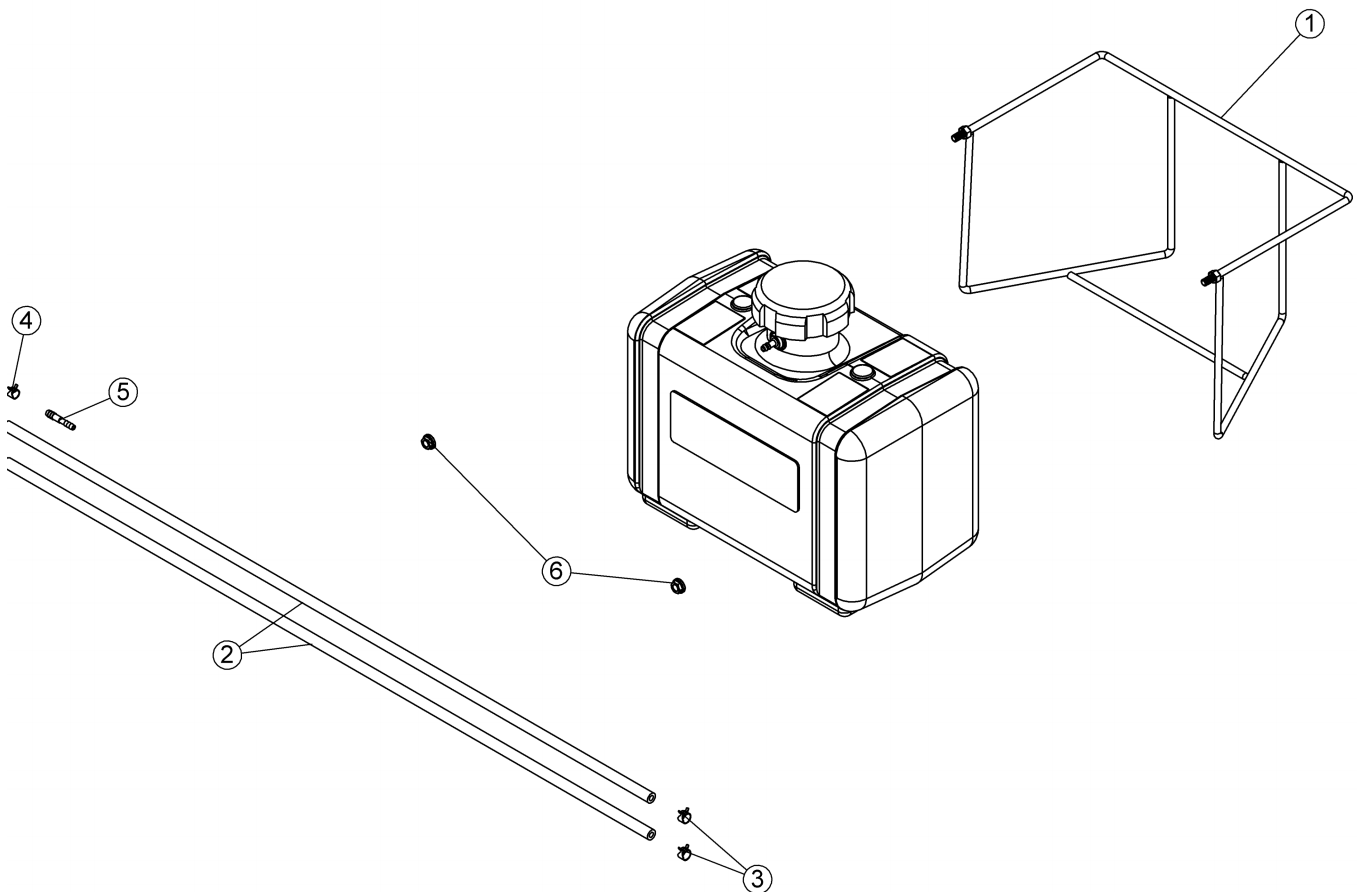
O/L = Obtain Locally / Obtenir localement

Part numbers starting with **500XXX** are not available for sale, however, separate parts are available for sale individually.

Les numéros **500xxx** ne sont pas disponibles pour la vente. Au besoin, veuillez commander les numéros de pièces séparément.

**NOMENCLATURE ET LISTE DES PIÈCES / PARTS BREAKDOWN & PART LIST**  
**Réservoir à essence Assemblé #501258**  
**Gas Tank Assembly #501258**

REF.	ENGLISH DESCRIPTION	DESCRIPTION FRANÇAISE	QTY.	PART#
1	Tank support	Support de réservoir	1	105528
2	Fuel hose EPA 1/4"	Tuyau à essence EPA 1/4"	2	107308
3	Spring action hose clamp for 1/2" hose	Collier de serrage à ressort pour tuyau 1/2"	4	107269
4	Spring action hose clamp for 7/16" hose	Collier de serrage à ressort pour tuyau 7/16"	1	107310
5	Barb adapter 1/4" x 3/16"	Adaptateur à barbillon 1/4" x 3/16"	1	107319
6	Flange nut 5/16" n.c.	Écrou à bride 5/16" n.c.	2	O/L (334NC.P_5-16)
7	5 Gallon EPA gasoline tank	Réservoir à essence 5 gallon EPA	1	107311
7.1	5 gallon EPA gasoline tank	Réservoir à essence 5 gallon EPA	1	107311
7.2	Gasoline tank cap	Bouchon de réservoir à essence	1	107312



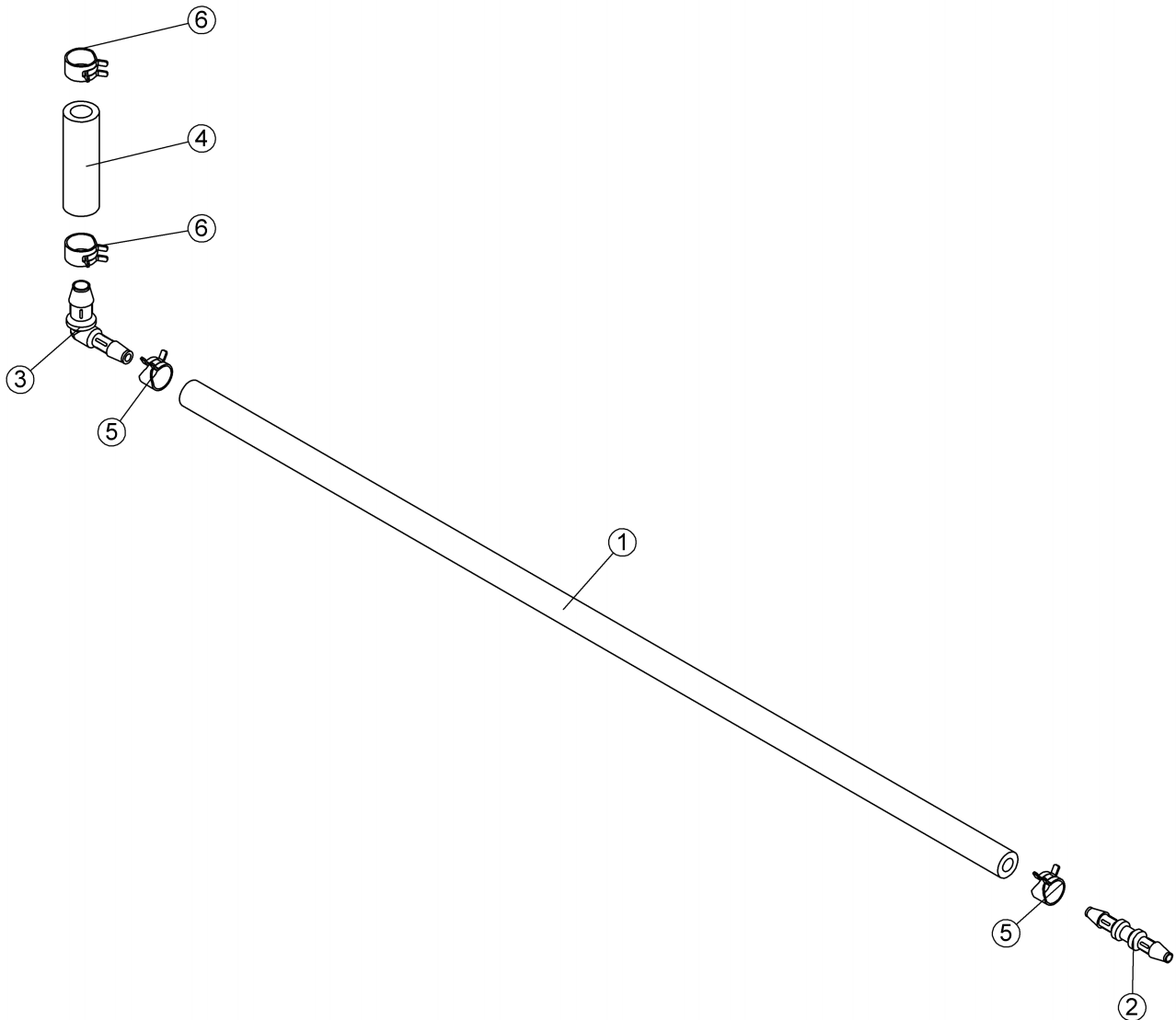
O/L = Obtain Locally / Obtenir localement

Part numbers starting with **500XXX** are not available for sale, however, separate parts are available for sale individually.

Les numéros **500xxx** ne sont pas disponibles pour la vente. Au besoin, veuillez commander les numéros de pièces séparément.

**NOMENCLATURE ET LISTE DES PIÈCES / PARTS BREAKDOWN & PART LIST**  
**Ensemble d'adaptateur EPA pour moteur Honda #501288**  
**EPA set of adaptor for Honda engine #501288**

REF.	ENGLISH DESCRIPTION	DESCRIPTION FRANÇAISE	QTY.	PART#
1	Fuel hose EPA 1/4"	Tuyau à essence EPA 1/4"	1	107329
2	Barb adapter 1/4" x 1/4"	Adaptateur à barbillon 1/4" x 1/4"	1	107330
3	Barb elbow adapter 3/8" x 1/4"	Adaptateur coudé à barbillon 3/8" x 1/4"	1	107328
4	Fuel hose 3/8"	Tuyau à essence 3/8"	1	107326
5	Spring action hose clamp for 1/2" hose	Collier de serrage à ressort pour tuyau 1/2"	2	107269
6	Spring action hose clamp for 5/8" hose	Collier de serrage à ressort pour tuyau 5/8"	2	107327

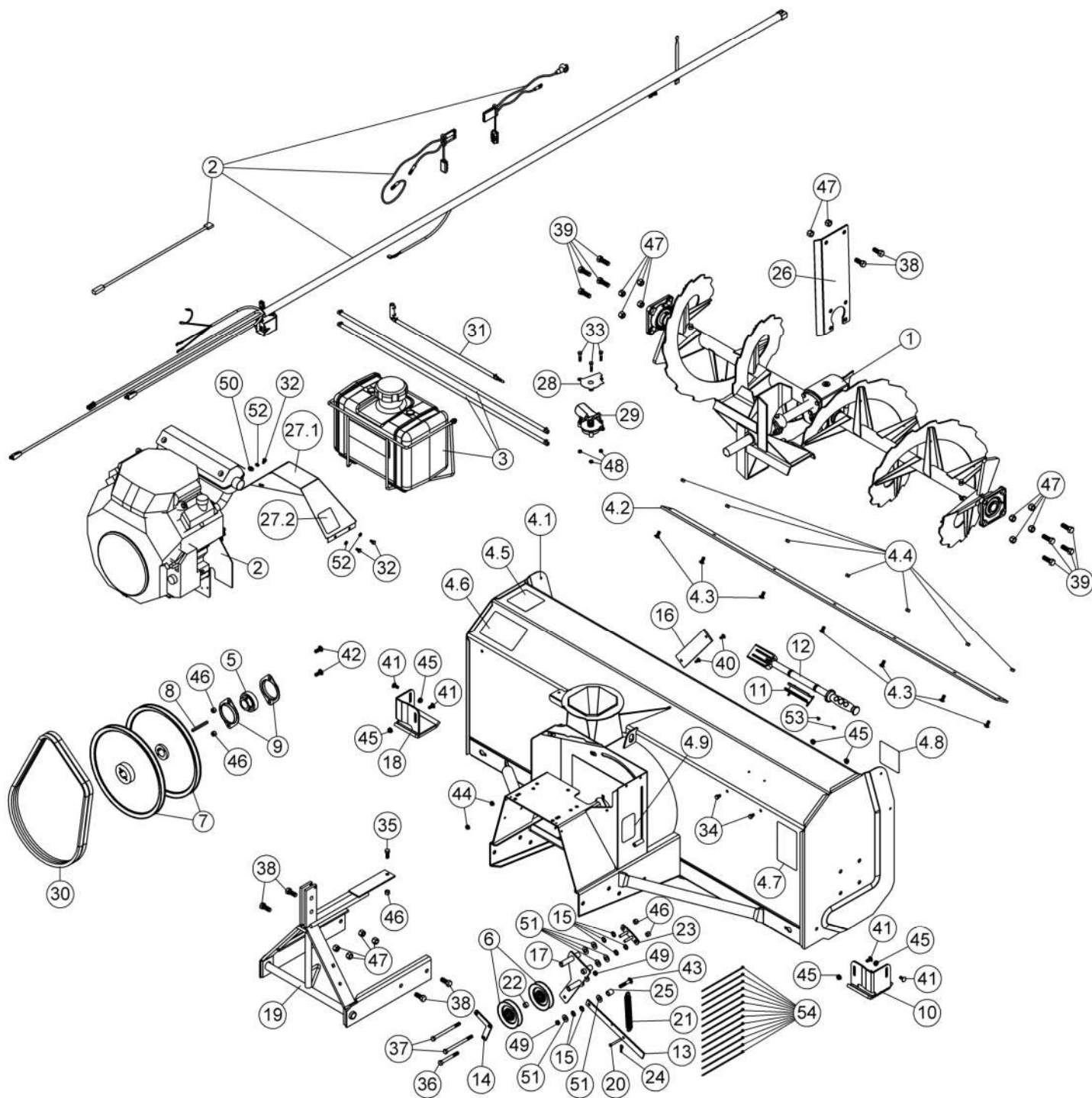


O/L = Obtain Locally / Obtenir localement

Part numbers starting with **500XXX** are not available for sale, however, separate parts are available for sale individually.

Les numéros **500xxx** ne sont pas disponibles pour la vente. Au besoin, veuillez commander les numéros de pièces séparément.

**NOMENCLATURE ET LISTE DES PIÈCES / PARTS BREAKDOWN & PART LIST**  
**Souffleuse assemblée 66" #501468**  
**66" snowblower assembly #501468**



## NOMENCLATURE ET LISTE DES PIÈCES / PARTS BREAKDOWN & PART LIST

Souffleuse assemblée 66" #501468

66" snowblower assembly #501468

REF.	ENGLISH DESCRIPTION	DESCRIPTION FRANÇAISE	QTY.	PART#
1	Auger assembly	Vis assemblées	1	501118
2	Engine 22HP vantage assembly	Moteur 22H assemblé pour vantage	1	501471
3	Gas Tank Assembly	Réservoir à essence Assemblé	1	501258
4	Frame 66" #109548 w/ saf. dec. & cut. edge	Châssis 66' #109548' a/ déc. de séc. & racloir	1	109546
4.1	Frame 66"	Châssis 66"	1	109548
4.2	Cutting edge 66"	Racloir 66"	1	105478
4.3	Carriage bolt 5/16" n.c. x 3/4 " GR5	Boulon à carrosserie 5/16" n.c. x 3/4 " GR5	7	O/L (320NC.5N_5-16x3-4)
4.4	Stover lock nut 5/16" n.c.	Écrou de blocage 5/16" n.c.	7	O/L (338NC.N_5-16)
4.5	Decal danger auger	Decalque danger vis	1	105126
4.6	Decal warning safety	Decalque avertissement sécurité	1	105131
4.7	Decal read instructions	Decalque lire instructions	1	105130
4.8	Decal auger positioning	Décalque positionnement vis	1	107024
4.9	Decal Warning / Spring under tension	Decalque Avertissement / Ressort sous tension	1	109609
5	Bearing with set screw	Roulement à billes avec vis à pression	1	106371
6	V-Pulley	Poulie en V	2	102766
7	V pulley with set screw	Poulie en V avec vis pression	2	106568
8	Key 1/4" x 1/4" x 2.88"	Clé 1/4" x 1/4" x 2.88"	1	104436
9	Flangette	Flangette	2	106704
10	Right skid shoe	Patin droit	1	105486
11	Chute shovel support	Support de pelle à goulotte	1	105701
12	Chute shovel	Pelle à goulotte	1	105700
13	Lever	Levier	1	106264
14	Retaining Plate	Plaque de retenue	1	106258
15	Nylon flat washer 7/16"	Rondelle plate de nylon 7/16"	6	102011
16	Reinforcement	Renfort	1	105484
17	Bender	Tendeur	1	106701
18	Left skid shoe	Patin gauche	1	105487
19	Hitch	Attache	1	105483
20	Pin	Goupille	1	105365
21	Spring	Ressort	1	102592
22	Sleeve	Douille	1	106260
23	Spacer	Espacer	1	106265
24	Hair pin 2mm	Goupille à ressort 2mm	1	102430
25	Sleeve	Douille	1	103028
26	Gear box support	Support de boîte d'engrenages	1	106706

O/L = Obtain Locally / Obtenir localement

Part numbers starting with **500XXX** are not available for sale, however, separate parts are available for sale individually.

Les numéros **500xxx** ne sont pas disponibles pour la vente. Au besoin, veuillez commander les numéros de pièces séparément.



**NOMENCLATURE ET LISTE DES PIÈCES / PARTS BREAKDOWN & PART LIST**  
**Souffleuse assemblée 66" #501468**  
**66" snowblower assembly #501468**

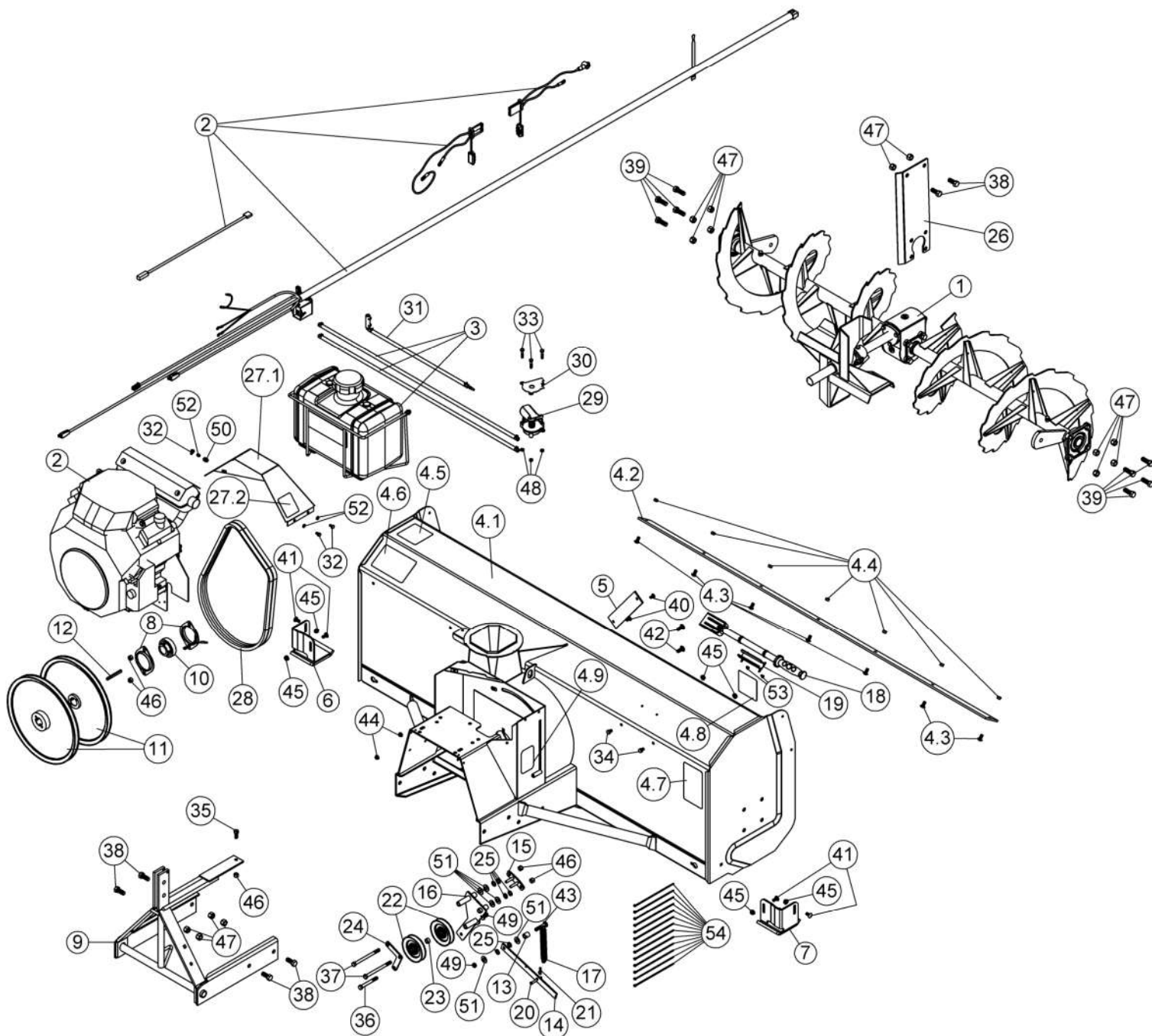
REF.	ENGLISH DESCRIPTION	DESCRIPTION FRANÇAISE	QTY.	PART#
27	Belt guard with safety decal	Garde-courroie avec décalque de sécurité	1	106702
27.1	Belt Guard	Garde Courroie	1	106270
27.2	Decal danger belts	Decalque danger courroies	1	105128
28	Gasket	Joint d'étanchéité	1	108877
29	Electric motor	Moteur électrique	1	106147
30	Pair of V-belts, BX-54	Paire de courroie en V, BX-54	1	106343
31	EPA set of adaptor for Honda engine	Ensemble d'adaptateur EPA pour moteur Honda	1	501288
32	Hex. bolt 1/4" n.c. x 1/2" GR5	Boulon hex. 1/4" n.c. x 1/2" GR5	3	O/L (300NC.5P_1-4x1-2)
33	Hex. bolt 1/4" n.c. x 1 1/4" GR5	Boulon hex. 1/4" n.c. x 1 1/4" GR5	3	O/L (300NC.5P_1-4x1-1-4)
34	Hex. bolt 5/16" n.c. x 1/2" GR5	Boulon hex. 5/16" n.c. x 1/2" GR5	2	O/L (300NC.5P_5-16x1-2)
35	Hex. bolt 3/8" n.c. x 1" GR5	Boulon hex. 3/8" n.c. x 1" GR5	1	O/L (300NC.5P_3-8x1)
36	Hex. bolt 3/8" n.c. x 3 1/4" GR5	Boulon hex. 3/8" n.c. x 3 1/4" GR5	1	O/L (300NC.5P_3-8x3-1-4)
37	Hex. bolt 3/8" n.c. x 5" GR5	Boulon hex. 3/8" n.c. x 5" GR5	2	O/L (300NC.5P_3-8x5)
38	Hex. bolt 1/2" n.c. x 1 1/4" GR5	Boulon hex. 1/2" n.c. x 1 1/4" GR5	6	O/L (300NC.5P_1-2x1-1-4)
39	Hex. bolt 1/2" n.c. x 1 1/2" GR5	Boulon hex. 1/2" n.c. x 1 1/2" GR5	8	O/L (300NC.5P_1-2x1-1-2)
40	Carriage bolt 1/4" n.c. x 5/8 " GR5	Boulon à carrosserie 1/4" n.c. x 5/8 " GR5	2	O/L (320NC.5P_1-4x5-8)
41	Carriage bolt 5/16" n.c. x 3/4 " GR5	Boulon à carrosserie 5/16" n.c. x 3/4 " GR5	4	O/L (320NC.5P_5-16x3-4)
42	Carriage bolt 3/8" n.c. x 1 " GR5	Boulon à carrosserie 3/8" n.c. x 1 " GR5	2	O/L (320NC.5P_3-8x1)
43	Carriage bolt 3/8" n.c. x 2 " GR5	Boulon à carrosserie 3/8" n.c. x 2 " GR5	1	O/L (320NC.5P_3-8x2)
44	Flange nut 1/4" n.c.	Écrou à bride 1/4" n.c.	2	O/L (334NC.P_1-4)
45	Flange nut 5/16" n.c.	Écrou à bride 5/16" n.c.	6	O/L (334NC.P_5-16)
46	Nylon Insert Lock Nut 3/8" n.c.	Écrou à garniture de nylon 3/8" n.c.	5	O/L (335NC.P_3-8)
47	Nylon Insert lock Nut 1/2" n.c.	Écrou à garniture de nylon 1/2" n.c.	14	O/L (335NC.P_1-2)
48	Nylon insert lock nut 1/4" n.c. (thin)	Écrou à garniture de nylon 1/4" n.c. (mince)	3	O/L (336NC.P_1-4)
49	Nylon insert lock nut 3/8" n.c. (thin)	Écrou à garniture de nylon 3/8" n.c. (mince)	2	O/L (336NC.P_3-8)
50	Flat washer 5/16" hole	Rondelle plate 5/16" trou	1	O/L (360.P_5-16T)
51	Flat washer 7/16" hole	Rondelle plate 7/16" trou	6	O/L (360.P_7-16T)
52	Lock washer 1/4"	Rondelle de blocage 1/4"	3	O/L (362.P_1-4)
53	Socket Head Cap Screw M5 x 0.80 x 10	Vis six PC tête ronde M5 x 0.80 x 10	2	O/L (412.Z_M5x0.80x10)
54	Tie wrap 8" (black), 50lbs, Weather & UV-Resistant nylon 6.6	Attache de nylon 8" (noir) ,50lbs, Weather & UV-Resistant nylon 6.6	13	O/L (426-8)

O/L = Obtain Locally / Obtenir localement

Part numbers starting with **500xxx** are not available for sale, however, separate parts are available for sale individually.

Les numéros **500xxx** ne sont pas disponibles pour la vente. Au besoin, veuillez commander les numéros de pièces séparément.

**NOMENCLATURE ET LISTE DES PIÈCES / PARTS BREAKDOWN & PART LIST**  
 Souffleuse assemblée 72" #501469  
 72" snowblower assembly #501469



**NOMENCLATURE ET LISTE DES PIÈCES / PARTS BREAKDOWN & PART LIST**  
**Souffleuse assemblée 72" #501469**  
**72" snowblower assembly #501469**

REF.	ENGLISH DESCRIPTION	DESCRIPTION FRANÇAISE	QTY.	PART#
1	Auger Assembly	Vis Assemblées	1	501126
2	Engine 22HP vantage assembly	Moteur 22H assemblé pour vantage	1	501471
3	Gas Tank Assembly	Réservoir à essence Assemblé	1	501258
4	Frame 72" #109549 w/ saf. dec. & cut. edge	Châssis 72' #109549' a/ déc. de séc. & racloir	1	109547
4.1	Frame 72"	Châssis 72"	1	109549
4.2	Cutting edge 72"	Racloir 72"	1	105479
4.3	Carriage bolt 5/16" n.c. x 3/4 " GR5	Boulon à carrosserie 5/16" n.c. x 3/4 " GR5	7	O/L (320NC.5N_5-16x3-4)
4.4	Stover lock nut 5/16" n.c.	Écrou de blocage 5/16" n.c.	7	O/L (338NC.N_5-16)
4.5	Decal danger auger	Decalque danger vis	1	105126
4.6	Decal warning safety	Decalque avertissement sécurité	1	105131
4.7	Decal read instructions	Decalque lire instructions	1	105130
4.8	Decal auger positioning	Décalque positionnement vis	1	107024
4.9	Decal Warning / Spring under tension	Decalque Avertissement / Ressort sous tension	1	109609
5	Reinforcement	Renfort	1	105484
6	Left skid shoe	Patin gauche	1	105487
7	Right skid shoe	Patin droit	1	105486
8	Flangette	Flangette	2	106704
9	Hitch	Attache	1	105483
10	Bearing with set screw	Roulement à billes avec vis à pression	1	106371
11	V pulley with set screw	Poulie en V avec vis pression	2	106568
12	Key 1/4" x 1/4" x 2.88"	Clé 1/4" x 1/4" x 2.88"	1	104436
13	Sleeve	Douille	1	103028
14	Lever	Levier	1	106264
15	Spacer	Espacer	1	106265
16	Bender	Tendeur	1	106701
17	Spring	Ressort	1	102592
18	Chute shovel	Pelle à goulotte	1	105700
19	Chute shovel support	Support de pelle à goulotte	1	105701
20	Pin	Goupille	1	105365
21	Hair pin 2mm	Goupille à ressort 2mm	1	102430
22	V-Pulley	Poulie en V	2	102766
23	Sleeve	Douille	1	106260

O/L = Obtain Locally / Obtenir localement

Part numbers starting with **500XXX** are not available for sale, however, separate parts are available for sale individually.

Les numéros **500xxx** ne sont pas disponibles pour la vente. Au besoin, veuillez commander les numéros de pièces séparément.

**NOMENCLATURE ET LISTE DES PIÈCES / PARTS BREAKDOWN & PART LIST**  
**Souffleuse assemblée 72" #501469**  
**72" snowblower assembly #501469**

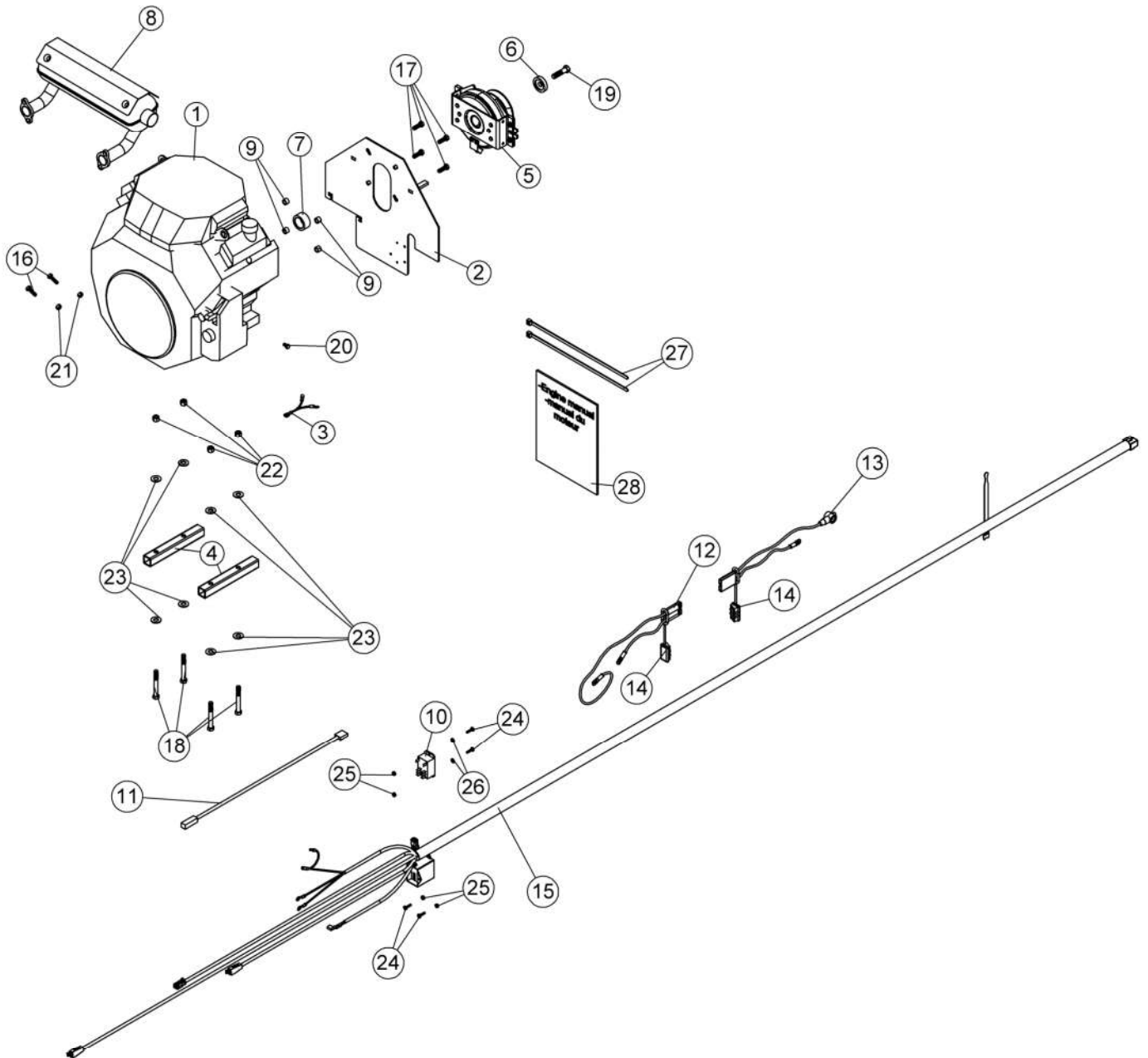
REF.	ENGLISH DESCRIPTION	DESCRIPTION FRANÇAISE	QTY.	PART#
24	Retaining Plate	Plaque de retenue	1	106258
25	Nylon flat washer 7/16"	Rondelle plate de nylon 7/16"	6	102011
26	Gear box support	Support de boîte d'engrenages	1	106706
27	Belt guard with safety decal	Garde-courroie avec décalque de sécurité	1	106702
27.1	Belt Guard	Garde Courroie	1	106270
27.2	Decal danger belts	Decalque danger courroies	1	105128
28	Pair of V-belts, BX-54	Paire de courroie en V, BX-54	1	106343
29	Electric motor	Moteur électrique	1	106147
30	Gasket	Joint d'étanchéité	1	108877
31	EPA set of adaptor for Honda engine	Ensemble d'adaptateur EPA pour moteur Honda	1	501288
32	Hex. bolt 1/4" n.c. x 1/2" GR5	Boulon hex. 1/4" n.c. x 1/2" GR5	3	O/L (300NC.5P_1-4x1-2)
33	Hex. bolt 1/4" n.c. x 1 1/4" GR5	Boulon hex. 1/4" n.c. x 1 1/4" GR5	3	O/L (300NC.5P_1-4x1-1-4)
34	Hex. bolt 5/16" n.c. x 1/2" GR5	Boulon hex. 5/16" n.c. x 1/2" GR5	2	O/L (300NC.5P_5-16x1-2)
35	Hex. bolt 3/8" n.c. x 1" GR5	Boulon hex. 3/8" n.c. x 1" GR5	1	O/L (300NC.5P_3-8x1)
36	Hex. bolt 3/8" n.c. x 3 1/4" GR5	Boulon hex. 3/8" n.c. x 3 1/4" GR5	1	O/L (300NC.5P_3-8x3-1-4)
37	Hex. bolt 3/8" n.c. x 5" GR5	Boulon hex. 3/8" n.c. x 5" GR5	2	O/L (300NC.5P_3-8x5)
38	Hex. bolt 1/2" n.c. x 1 1/4" GR5	Boulon hex. 1/2" n.c. x 1 1/4" GR5	6	O/L (300NC.5P_1-2x1-1-4)
39	Hex. bolt 1/2" n.c. x 1 1/2" GR5	Boulon hex. 1/2" n.c. x 1 1/2" GR5	8	O/L (300NC.5P_1-2x1-1-2)
40	Carriage bolt 1/4" n.c. x 5/8 " GR5	Boulon à carrosserie 1/4" n.c. x 5/8 " GR5	2	O/L (320NC.5P_1-4x5-8)
41	Carriage bolt 5/16" n.c. x 3/4 " GR5	Boulon à carrosserie 5/16" n.c. x 3/4 " GR5	4	O/L (320NC.5P_5-16x3-4)
42	Carriage bolt 3/8" n.c. x 1 " GR5	Boulon à carrosserie 3/8" n.c. x 1 " GR5	2	O/L (320NC.5P_3-8x1)
43	Carriage bolt 3/8" n.c. x 2 " GR5	Boulon à carrosserie 3/8" n.c. x 2 " GR5	1	O/L (320NC.5P_3-8x2)
44	Flange nut 1/4" n.c.	Écrou à bride 1/4" n.c.	2	O/L (334NC.P_1-4)
45	Flange nut 5/16" n.c.	Écrou à bride 5/16" n.c.	6	O/L (334NC.P_5-16)
46	Nylon Insert Lock Nut 3/8" n.c.	Écrou à garniture de nylon 3/8" n.c.	5	O/L (335NC.P_3-8)
47	Nylon Insert lock Nut 1/2" n.c.	Écrou à garniture de nylon 1/2" n.c.	14	O/L (335NC.P_1-2)
48	Nylon insert lock nut 1/4" n.c. (thin)	Écrou à garniture de nylon 1/4" n.c. (mince)	3	O/L (336NC.P_1-4)
49	Nylon insert lock nut 3/8" n.c. (thin)	Écrou à garniture de nylon 3/8" n.c. (mince)	2	O/L (336NC.P_3-8)
50	Flat washer 5/16" hole	Rondelle plate 5/16" trou	1	O/L (360.P_5-16T)
51	Flat washer 7/16" hole	Rondelle plate 7/16" trou	6	O/L (360.P_7-16T)
52	Lock washer 1/4"	Rondelle de blocage 1/4"	3	O/L (362.P_1-4)
53	Socket Head Cap Screw M5 x 0.80 x 10	Vis six PC tête ronde M5 x 0.80 x 10	2	O/L (412.Z_M5x0.80x10)
54	Tie wrap 8" (black), 50lbs, Weather & UV-Resistant nylon 6.6	Attache de nylon 8" (noir) ,50lbs, Weather & UV-Resistant nylon 6.6	13	O/L (426-8)

O/L = Obtain Locally / Obtenir localement

Part numbers starting with **500XXX** are not available for sale, however, separate parts are available for sale individually.

Les numéros **500xxx** ne sont pas disponibles pour la vente. Au besoin, veuillez commander les numéros de pièces séparément.

**NOMENCLATURE ET LISTE DES PIÈCES / PARTS BREAKDOWN & PART LIST**  
**Moteur 22H assemblé pour vantage #501471**  
**Engine 22HP vantage assembly #501471**



**NOMENCLATURE ET LISTE DES PIÈCES / PARTS BREAKDOWN & PART LIST**  
**Moteur 22H assemblé pour vantage #501471**  
**Engine 22HP vantage assembly #501471**

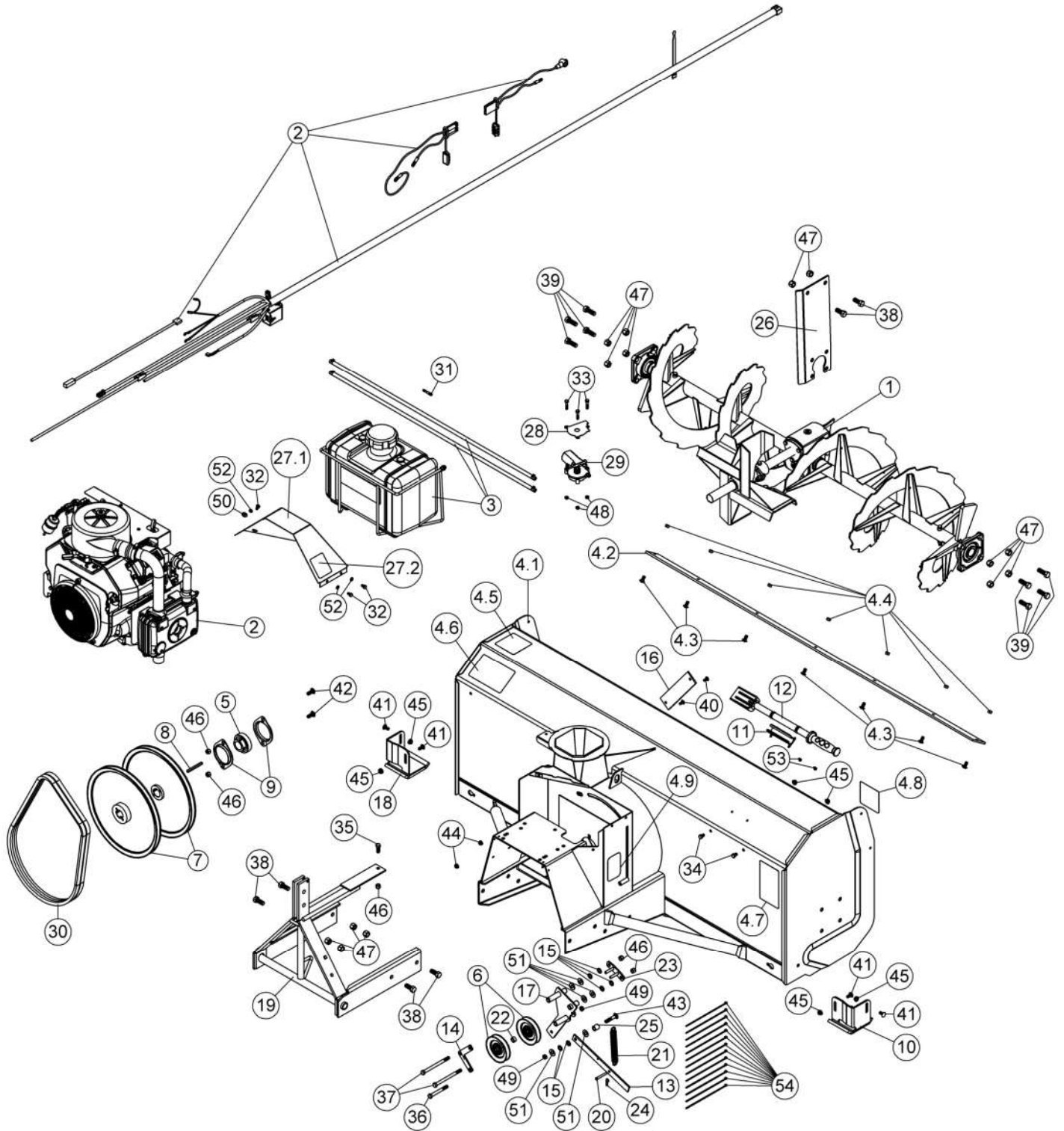
REF.	ENGLISH DESCRIPTION	DESCRIPTION FRANÇAISE	QTY.	PART#
1	Honda engine 22 hp with key	Moteur Honda 22 CV avec clé	1	105520
2	Guard	Garde	1	109532
3	Stop emergency wire	Fil d'arrêt d'urgence	1	105597
4	Shim	Cale	2	109541
5	Electric Clutch (Hole 1 1/8")	Embrayage électrique (Alésage 1 1/8")	1	109243
6	Flange washer	Rondelle à bride	1	109533
7	Spacer for 1 1/8 shaft	Espaceur pour arbre 1 1/8	1	109577
8	Honda muffler	Silencieux Honda	1	105448
9	Sleeve	Douille	4	103264
10	Relay	Relais	1	106123
11	Wire Assembly	Fil Assemblé	1	106548
12	Wire assembly	Fil assemblé	1	104017
13	Wire assembly	Fil assemblé	1	104018
14	Cap	Capuchon	2	105407
15	Wire Assembly	Fil assemblé	1	106558
16	Hex. bolt 1/4" n.c. x 1" GR5 FULLY THREADED	Boulon hex. 1/4" n.c. x 1" GR5 FILETÉ COMPLET	2	O/L (300NC.5P_1-4x1)
17	Hex. bolt 5/16" n.f. x 1" GR5	Boulon hex. 5/16" n.f. x 1" GR5	4	O/L (300NF.5P_5-16x1)
18	Hex. bolt 3/8" n.c. x 3" GR5	Boulon hex. 3/8" n.c. x 3" GR5	4	O/L (300NC.5P_3-8x3)
19	Hex. bolt 7/16" n.f. x 1 3/4" GR5	Boulon hex. 7/16" n.f. x 1 3/4" GR5	1	O/L (300NF.5P_7-16x13-4)
20	Hex. bolt M6 x 1.00 x 12 GR8.8	Boulon hex. M6 x 1.00 x 12 GR8.8	1	O/L (310.8.8P_M6X1.00X12)
21	Nylon Insert lock Nut 1/4" n.c.	Écrou à garniture de nylon 1/4" n.c.	2	O/L (335NC.P_1-4)
22	Nylon Insert Lock Nut 3/8" n.c.	Écrou à garniture de nylon 3/8" n.c.	4	O/L (335NC.P_3-8)
23	Flat washer 7/16" hole	Rondelle plate 7/16" trou	8	O/L (360.P_7-16T)
24	Machine screw Pan head no.8 x 32 x 3/4"	Vis mécanique tête pan no.8 x 32 x 3/4"	4	O/L (395NC.S_#8x32x3-4)
25	Nylon insert locknut #8 x 32 (thin) GR2	Écrou à garni. de nylon #8 x 32 (mince) GR2	4	O/L (336NC.P_#8x32)
26	Flat washer #10 hole	Rondelle plate #10 trou	2	O/L (360.P_#10T)
27	Tie wrap 14" (black), 120lbs, Weather & UV-Resistant nylon 6.6	Attache de nylon 14" (noir) ,120lbs, Weather & UV-Resistant nylon 6.6	2	O/L (426-14)
28	Engine manual	Manuel du moteur	1	-

O/L = Obtain Locally / Obtenir localement

Part numbers starting with **500XXX** are not available for sale, however, separate parts are available for sale individually.

Les numéros **500xxx** ne sont pas disponibles pour la vente. Au besoin, veuillez commander les numéros de pièces séparément.

**NOMENCLATURE ET LISTE DES PIÈCES / PARTS BREAKDOWN & PART LIST**  
 Souffleuse assemblée 66" #501492  
 66" snowblower assembly #501492





**NOMENCLATURE ET LISTE DES PIÈCES / PARTS BREAKDOWN & PART LIST**  
**Souffleuse assemblée 66" #501492**  
**66" snowblower assembly #501492**

REF.	ENGLISH DESCRIPTION	DESCRIPTION FRANÇAISE	QTY.	PART#
1	Auger assembly	Vis assemblées	1	501118
2	Engine 25K vantage assembly	Moteur 25K assemblé pour vantage	1	501472
3	Gas Tank Assembly	Réservoir à essence Assemblé	1	501258
4	Frame 66" #109548 w/ saf. dec. & cut. edge	Châssis 66" #109548' a/ déc. de séc. & racloir	1	109546
4.1	Frame 66"	Châssis 66"	1	109548
4.2	Cutting edge 66"	Racloir 66"	1	105478
4.3	Carriage bolt 5/16" n.c. x 3/4 " GR5	Boulon à carrosserie 5/16" n.c. x 3/4 " GR5	7	O/L (320NC.5N_5-16x3-4)
4.4	Stover lock nut 5/16" n.c.	Écrou de blocage 5/16" n.c.	7	O/L (338NC.N_5-16)
4.5	Decal danger auger	Decalque danger vis	1	105126
4.6	Decal warning safety	Decalque avertissement sécurité	1	105131
4.7	Decal read instructions	Decalque lire instructions	1	105130
4.8	Decal auger positioning	Décalque positionnement vis	1	107024
4.9	Decal Warning / Spring under tension	Decalque Avertissement / Ressort sous tension	1	109609
5	Bearing with set screw	Roulement à billes avec vis à pression	1	106371
6	V-Pulley	Poulie en V	2	102766
7	V pulley with set screw	Poulie en V avec vis pression	2	106568
8	Key 1/4" x 1/4" x 2.88"	Clé 1/4" x 1/4" x 2.88"	1	104436
9	Flangette	Flangette	2	106704
10	Right skid shoe	Patin droit	1	105486
11	Chute shovel support	Support de pelle à goulotte	1	105701
12	Chute shovel	Pelle à goulotte	1	105700
13	Lever	Levier	1	106264
14	Retaining Plate	Plaque de retenue	1	106258
15	Nylon flat washer 7/16"	Rondelle plate de nylon 7/16"	6	102011
16	Reinforcement	Renfort	1	105484
17	Bender	Tendeur	1	106701
18	Left skid shoe	Patin gauche	1	105487
19	Hitch	Attache	1	105483
20	Pin	Goupille	1	105365
21	Spring	Ressort	1	102592
22	Sleeve	Douille	1	106260

O/L = Obtain Locally / Obtenir localement

Part numbers starting with **500XXX** are not available for sale, however, separate parts are available for sale individually.

Les numéros **500xxx** ne sont pas disponibles pour la vente. Au besoin, veuillez commander les numéros de pièces séparément.



**NOMENCLATURE ET LISTE DES PIÈCES / PARTS BREAKDOWN & PART LIST**  
**Souffleuse assemblée 66" #501492**  
**66" snowblower assembly #501492**

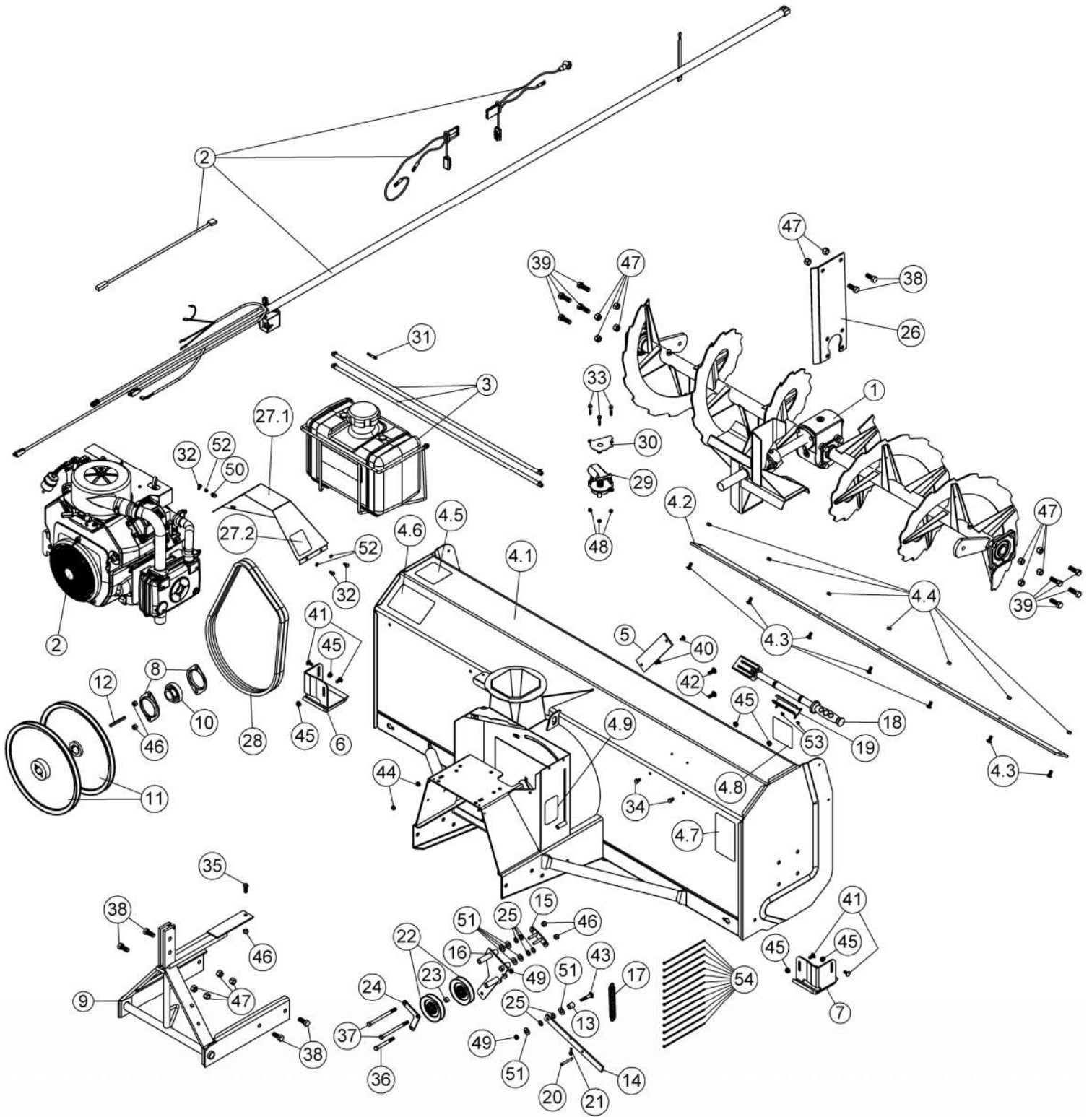
REF.	ENGLISH DESCRIPTION	DESCRIPTION FRANÇAISE	QTY.	PART#
23	Spacer	Espacer	1	106265
24	Hair pin 2mm	Goupille à ressort 2mm	1	102430
25	Sleeve	Douille	1	103028
26	Gear box support	Support de boîte d'engrenages	1	106706
27	Belt guard with safety decal	Garde-courroie avec décalque de sécurité	1	106702
27.1	Belt Guard	Garde Courroie	1	106270
27.2	Decal danger belts	Decalque danger courroies	1	105128
28	Gasket	Joint d'étanchéité	1	108877
29	Electric motor	Moteur électrique	1	106147
30	Pair of V-belts, BX-54	Paire de courroie en V, BX-54	1	106343
31	Barb adapter 1/4" x 3/16"	Adaptateur à barbillon 1/4" x 3/16"	1	107319
32	Hex. bolt 1/4" n.c. x 1/2" GR5	Boulon hex. 1/4" n.c. x 1/2" GR5	3	O/L (300NC.5P_1-4x1-2)
33	Hex. bolt 1/4" n.c. x 1 1/4" GR5	Boulon hex. 1/4" n.c. x 1 1/4" GR5	3	O/L (300NC.5P_1-4x1-1-4)
34	Hex. bolt 5/16" n.c. x 1/2" GR5	Boulon hex. 5/16" n.c. x 1/2" GR5	2	O/L (300NC.5P_5-16x1-2)
35	Hex. bolt 3/8" n.c. x 1" GR5	Boulon hex. 3/8" n.c. x 1" GR5	1	O/L (300NC.5P_3-8x1)
36	Hex. bolt 3/8" n.c. x 3 1/4" GR5	Boulon hex. 3/8" n.c. x 3 1/4" GR5	1	O/L (300NC.5P_3-8x3-1-4)
37	Hex. bolt 3/8" n.c. x 5" GR5	Boulon hex. 3/8" n.c. x 5" GR5	2	O/L (300NC.5P_3-8x5)
38	Hex. bolt 1/2" n.c. x 1 1/4" GR5	Boulon hex. 1/2" n.c. x 1 1/4" GR5	6	O/L (300NC.5P_1-2x1-1-4)
39	Hex. bolt 1/2" n.c. x 1 1/2" GR5	Boulon hex. 1/2" n.c. x 1 1/2" GR5	8	O/L (300NC.5P_1-2x1-1-2)
40	Carriage bolt 1/4" n.c. x 5/8 " GR5	Boulon à carrosserie 1/4" n.c. x 5/8 " GR5	2	O/L (320NC.5P_1-4x5-8)
41	Carriage bolt 5/16" n.c. x 3/4 " GR5	Boulon à carrosserie 5/16" n.c. x 3/4 " GR5	4	O/L (320NC.5P_5-16x3-4)
42	Carriage bolt 3/8" n.c. x 1 " GR5	Boulon à carrosserie 3/8" n.c. x 1 " GR5	2	O/L (320NC.5P_3-8x1)
43	Carriage bolt 3/8" n.c. x 2 " GR5	Boulon à carrosserie 3/8" n.c. x 2 " GR5	1	O/L (320NC.5P_3-8x2)
44	Flange nut 1/4" n.c.	Écrou à bride 1/4" n.c.	2	O/L (334NC.P_1-4)
45	Flange nut 5/16" n.c.	Écrou à bride 5/16" n.c.	6	O/L (334NC.P_5-16)
46	Nylon Insert Lock Nut 3/8" n.c.	Écrou à garniture de nylon 3/8" n.c.	5	O/L (335NC.P_3-8)
47	Nylon Insert lock Nut 1/2" n.c.	Écrou à garniture de nylon 1/2" n.c.	14	O/L (335NC.P_1-2)
48	Nylon insert lock nut 1/4" n.c. (thin)	Écrou à garniture de nylon 1/4" n.c. (mince)	3	O/L (336NC.P_1-4)
49	Nylon insert lock nut 3/8" n.c. (thin)	Écrou à garniture de nylon 3/8" n.c. (mince)	2	O/L (336NC.P_3-8)
50	Flat washer 5/16" hole	Rondelle plate 5/16" trou	1	O/L (360.P_5-16T)
51	Flat washer 7/16" hole	Rondelle plate 7/16" trou	6	O/L (360.P_7-16T)
52	Lock washer 1/4"	Rondelle de blocage 1/4"	3	O/L (362.P_1-4)
53	Socket Head Cap Screw M5 x 0.80 x 10	Vis six PC tête ronde M5 x 0.80 x 10	2	O/L (412.Z_M5x0.80x10)
54	Tie wrap 8" (black), 50lbs, Weather & UV-Resistant nylon 6.6	Attache de nylon 8" (noir) ,50lbs, Weather & UV-Resistant nylon 6.6	13	O/L (426-8)

O/L = Obtain Locally / Obtenir localement

Part numbers starting with **500XXX** are not available for sale, however, separate parts are available for sale individually.

Les numéros **500xxx** ne sont pas disponibles pour la vente. Au besoin, veuillez commander les numéros de pièces séparément.

**NOMENCLATURE ET LISTE DES PIÈCES / PARTS BREAKDOWN & PART LIST**  
 Souffleuse assemblée 72" #501494  
 72" snowblower assembly #501494



**NOMENCLATURE ET LISTE DES PIÈCES / PARTS BREAKDOWN & PART LIST**  
**Souffleuse assemblée 72" #501494**  
**72" snowblower assembly #501494**

REF.	ENGLISH DESCRIPTION	DESCRIPTION FRANÇAISE	QTY.	PART#
1	Auger Assembly	Vis Assemblées	1	501126
2	Engine 25K vantage assembly	Moteur 25K assemblé pour vantage	1	501472
3	Gas Tank Assembly	Réservoir à essence Assemblé	1	501258
4	Frame 72" #109549 w/ saf. dec. & cut. edge	Châssis 72' #109549' a/ déc. de séc. & racloir	1	109547
4.1	Frame 72"	Châssis 72"	1	109549
4.2	Cutting edge 72"	Racloir 72"	1	105479
4.3	Carriage bolt 5/16" n.c. x 3/4 " GR5	Boulon à carrosserie 5/16" n.c. x 3/4 " GR5	7	O/L (320NC.5N_5-16x3-4)
4.4	Stover lock nut 5/16" n.c.	Écrou de blocage 5/16" n.c.	7	O/L (338NC.N_5-16)
4.5	Decal danger auger	Decalque danger vis	1	105126
4.6	Decal warning safety	Decalque avertissement sécurité	1	105131
4.7	Decal read instructions	Decalque lire instructions	1	105130
4.8	Decal auger positioning	Décalque positionnement vis	1	107024
4.9	Decal Warning / Spring under tension	Decalque Avertissement / Ressort sous tension	1	109609
5	Reinforcement	Renfort	1	105484
6	Left skid shoe	Patin gauche	1	105487
7	Right skid shoe	Patin droit	1	105486
8	Flangette	Flangette	2	106704
9	Hitch	Attache	1	105483
10	Bearing with set screw	Roulement à billes avec vis à pression	1	106371
11	V pulley with set screw	Poulie en V avec vis pression	2	106568
12	Key 1/4" x 1/4" x 2.88"	Clé 1/4" x 1/4" x 2.88"	1	104436
13	Sleeve	Douille	1	103028
14	Lever	Levier	1	106264
15	Spacer	Espacer	1	106265
16	Bender	Tendeur	1	106701
17	Spring	Ressort	1	102592
18	Chute shovel	Pelle à goulotte	1	105700
19	Chute shovel support	Support de pelle à goulotte	1	105701
20	Pin	Goupille	1	105365
21	Hair pin 2mm	Goupille à ressort 2mm	1	102430
22	V-Pulley	Poulie en V	2	102766
23	Sleeve	Douille	1	106260

O/L = Obtain Locally / Obtenir localement

Part numbers starting with **500XXX** are not available for sale, however, separate parts are available for sale individually.

Les numéros **500xxx** ne sont pas disponibles pour la vente. Au besoin, veuillez commander les numéros de pièces séparément.

**NOMENCLATURE ET LISTE DES PIÈCES / PARTS BREAKDOWN & PART LIST**  
**Souffleuse assemblée 72" #501494**  
**72" snowblower assembly #501494**

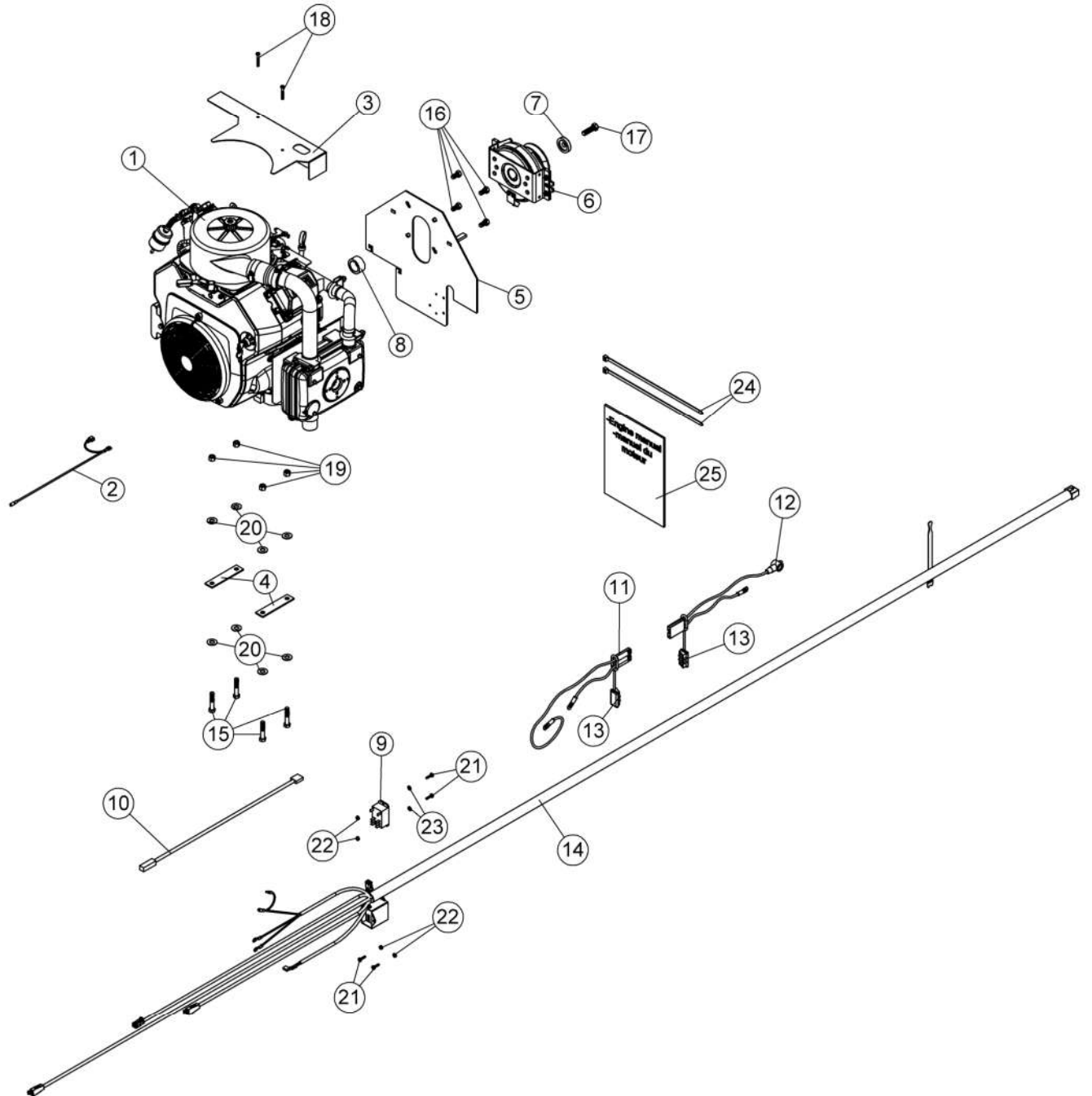
REF.	ENGLISH DESCRIPTION	DESCRIPTION FRANÇAISE	QTY.	PART#
24	Retaining Plate	Plaque de retenue	1	106258
25	Nylon flat washer 7/16"	Rondelle plate de nylon 7/16"	6	102011
26	Gear box support	Support de boîte d'engrenages	1	106706
27	Belt guard with safety decal	Garde-courroie avec décalque de sécurité	1	106702
27.1	Belt Guard	Garde Courroie	1	106270
27.2	Decal danger belts	Decalque danger courroies	1	105128
28	Pair of V-belts, BX-54	Paire de courroie en V, BX-54	1	106343
29	Electric motor	Moteur électrique	1	106147
30	Gasket	Joint d'étanchéité	1	108877
31	Barb adapter 1/4" x 3/16"	Adaptateur à barbillon 1/4" x 3/16"	1	107319
32	Hex. bolt 1/4" n.c. x 1/2" GR5	Boulon hex. 1/4" n.c. x 1/2" GR5	3	O/L (300NC.5P_1-4x1-2)
33	Hex. bolt 1/4" n.c. x 1 1/4" GR5	Boulon hex. 1/4" n.c. x 1 1/4" GR5	3	O/L (300NC.5P_1-4x1-1-4)
34	Hex. bolt 5/16" n.c. x 1/2" GR5	Boulon hex. 5/16" n.c. x 1/2" GR5	2	O/L (300NC.5P_5-16x1-2)
35	Hex. bolt 3/8" n.c. x 1" GR5	Boulon hex. 3/8" n.c. x 1" GR5	1	O/L (300NC.5P_3-8x1)
36	Hex. bolt 3/8" n.c. x 3 1/4" GR5	Boulon hex. 3/8" n.c. x 3 1/4" GR5	1	O/L (300NC.5P_3-8x3-1-4)
37	Hex. bolt 3/8" n.c. x 5" GR5	Boulon hex. 3/8" n.c. x 5" GR5	2	O/L (300NC.5P_3-8x5)
38	Hex. bolt 1/2" n.c. x 1 1/4" GR5	Boulon hex. 1/2" n.c. x 1 1/4" GR5	6	O/L (300NC.5P_1-2x1-1-4)
39	Hex. bolt 1/2" n.c. x 1 1/2" GR5	Boulon hex. 1/2" n.c. x 1 1/2" GR5	8	O/L (300NC.5P_1-2x1-1-2)
40	Carriage bolt 1/4" n.c. x 5/8 " GR5	Boulon à carrosserie 1/4" n.c. x 5/8 " GR5	2	O/L (320NC.5P_1-4x5-8)
41	Carriage bolt 5/16" n.c. x 3/4 " GR5	Boulon à carrosserie 5/16" n.c. x 3/4 " GR5	4	O/L (320NC.5P_5-16x3-4)
42	Carriage bolt 3/8" n.c. x 1 " GR5	Boulon à carrosserie 3/8" n.c. x 1 " GR5	2	O/L (320NC.5P_3-8x1)
43	Carriage bolt 3/8" n.c. x 2 " GR5	Boulon à carrosserie 3/8" n.c. x 2 " GR5	1	O/L (320NC.5P_3-8x2)
44	Flange nut 1/4" n.c.	Écrou à bride 1/4" n.c.	2	O/L (334NC.P_1-4)
45	Flange nut 5/16" n.c.	Écrou à bride 5/16" n.c.	6	O/L (334NC.P_5-16)
46	Nylon Insert Lock Nut 3/8" n.c.	Écrou à garniture de nylon 3/8" n.c.	5	O/L (335NC.P_3-8)
47	Nylon Insert lock Nut 1/2" n.c.	Écrou à garniture de nylon 1/2" n.c.	14	O/L (335NC.P_1-2)
48	Nylon insert lock nut 1/4" n.c. (thin)	Écrou à garniture de nylon 1/4" n.c. (mince)	3	O/L (336NC.P_1-4)
49	Nylon insert lock nut 3/8" n.c. (thin)	Écrou à garniture de nylon 3/8" n.c. (mince)	2	O/L (336NC.P_3-8)
50	Flat washer 5/16" hole	Rondelle plate 5/16" trou	1	O/L (360.P_5-16T)
51	Flat washer 7/16" hole	Rondelle plate 7/16" trou	6	O/L (360.P_7-16T)
52	Lock washer 1/4"	Rondelle de blocage 1/4"	3	O/L (362.P_1-4)
53	Socket Head Cap Screw M5 x 0.80 x 10	Vis six PC tête ronde M5 x 0.80 x 10	2	O/L (412.Z_M5x0.80x10)
54	Tie wrap 8" (black), 50lbs, Weather & UV-Resistant nylon 6.6	Attache de nylon 8" (noir) ,50lbs, Weather & UV-Resistant nylon 6.6	13	O/L (426-8)

O/L = Obtain Locally / Obtenir localement

Part numbers starting with **500xxx** are not available for sale, however, separate parts are available for sale individually.

Les numéros **500xxx** ne sont pas disponibles pour la vente. Au besoin, veuillez commander les numéros de pièces séparément.

**NOMENCLATURE ET LISTE DES PIÈCES / PARTS BREAKDOWN & PART LIST**  
**Moteur 25K assemblé pour vantage #501472**  
**Engine 25K vantage assembly #501472**



**NOMENCLATURE ET LISTE DES PIÈCES / PARTS BREAKDOWN & PART LIST**  
**Moteur 25K assemblé pour vantage #501472**  
**Engine 25K vantage assembly #501472**

REF.	ENGLISH DESCRIPTION	DESCRIPTION FRANÇAISE	QTY.	PART#
1	Engine CH-25 (Kohler) with key	Moteur CH-25 (Kohler) avec clé	1	105521
2	Wire assembly	Fil assemblé	1	105218
3	Heat shield	Pare-chaleur	1	104621
4	Shim	Cale	2	106266
5	Guard	Garde	1	109532
6	Electric Clutch (Hole 1 1/8")	Embrayage électrique (Alésage 1 1/8")	1	109243
7	Flange washer	Rondelle à bride	1	109533
8	Spacer for 1 1/8 shaft	Espaceur pour arbre 1 1/8	1	109577
9	Relay	Relais	1	106123
10	Wire Assembly	Fil Assemblé	1	106548
11	Wire assembly	Fil assemblé	1	104017
12	Wire assembly	Fil assemblé	1	104018
13	Cap	Capuchon	2	105407
14	Wire Assembly	Fil assemblé	1	106558
15	Hex. bolt 3/8" n.c. x 2" GR5	Boulon hex. 3/8" n.c. x 2" GR5	4	O/L (300NC.5P_3-8x2)
16	Hex. bolt 3/8" n.c. x 3/4" GR5	Boulon hex. 3/8" n.c. x 3/4" GR5	4	O/L (300NC.5P_3-8x3-4)
17	Hex. bolt 7/16" n.f. x 1 1/2" GR5	Boulon hex. 7/16" n.f. x 1 1/2" GR5	1	O/L (300NF.5P_7-16x11-2)
18	Machine screw Pan head no.10 x 32 x 1 1/2"	Vis mécanique tête pan no.10 x 32 x 1 1/2"	2	O/L (395NC.P_#10x32x1-1-2)
19	Nylon Insert Lock Nut 3/8" n.c.	Écrou à garniture de nylon 3/8" n.c.	4	O/L (335NC.P_3-8)
20	Flat washer 7/16" hole	Rondelle plate 7/16" trou	8	O/L (360.P_7-16T)
21	Machine screw Pan head no.8 x 32 x 3/4"	Vis mécanique tête pan no.8 x 32 x 3/4"	4	O/L (395NC.S_#8x32x3-4)
22	Nylon insert locknut #8 x 32 (thin) GR2	Écrou à garni. de nylon #8 x 32 (mince) GR2	4	O/L (336NC.P_#8x32)
23	Flat washer #10 hole	Rondelle plate #10 trou	2	O/L (360.P_#10T)
24	Tie wrap 14" (black), 120lbs, Weather & UV-Resistant nylon 6.6	Attache de nylon 14" (noir) ,120lbs, Weather & UV-Resistant nylon 6.6	2	O/L (426-14)
25	Engine manual	Manuel du moteur	1	-

O/L = Obtain Locally / Obtenir localement

Part numbers starting with **500XXX** are not available for sale, however, separate parts are available for sale individually.

Les numéros **500xxx** ne sont pas disponibles pour la vente. Au besoin, veuillez commander les numéros de pièces séparément.

# TORQUE SPECIFICATION TABLE

## GENERAL TORQUE SPECIFICATION TABLE USE THE FOLLOWING TORQUES WHEN SPECIAL TORQUES ARE NOT GIVEN

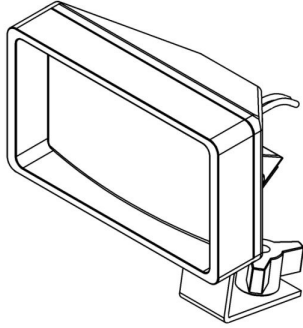
**NOTE:** These values apply to fasteners as received from supplier, dry or when lubricated with normal oil. They do not apply if special graphited or moly disulphide greases or other extreme pressure lubricants are used. This applies to both UNF and UNC threads.

\* Thick nuts must be used with grade 8 bolts

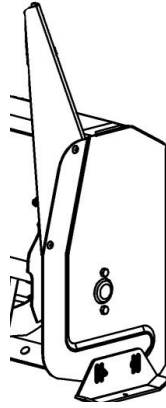
SEE Grade No.		2				5				8 *			
BOLT HEAD IDENTIFICATION MARKS AS PER GRADE NOTE MANUFACTURING MARKS WILL VARY		TORQUE				TORQUE				TORQUE			
BOLT SIZE		FOOT POUNDS		NEWTON-METERS		FOOT POUNDS		NEWTON-METERS		FOOT POUNDS		NEWTON-METERS	
Inches	Millimetre	Min.	Max.	Min.	Max.	Min.	Max.	Min.	Max.	Min.	Max.	Min.	Max.
1/4"	6.35	5	6	6.8	8.13	9	11	12.2	14.9	12	15	16.3	30.3
5/16"	7.94	10	12	13.6	16.3	17	20.5	23.1	27.8	24	29	32.5	39.3
3/8"	9.53	20	23	27.1	31.2	35	42	47.5	57	45	54	61	73.2
7/16"	11.11	30	35	40.7	47.4	54	64	73.2	86.8	70	84	94.9	113.9
1/2"	12.7	45	52	61	70.5	80	96	108.5	130.2	110	132	149.2	179
9/16"	14.29	65	75	88.1	101.6	110	132	149.2	179	160	192	217	260.4
5/8"	15.88	95	105	128.7	142.3	150	180	203.4	244.1	220	264	298.3	358
3/4"	19.05	150	185	203.3	250.7	270	324	366.1	439.3	380	456	515.3	618.3
7/8"	22.23	160	200	216.8	271	400	480	542.4	650.9	600	720	813.6	976.3
1"	25.4	250	300	338.8	406.5	580	696	786.5	943.8	900	1080	1220.4	1464.5

METRIC BOLT TORQUE SPECIFICATIONS							
		COARSE THREAD			FINE THREAD		
Size Screw	Grade No.	Pitch (mm)	Foot Pounds	Newton-Meters	Pitch (mm)	Foot Pounds	Newton-Meters
M6	4T	1.00	3.6 - 5.8	4.9 - 7.9	-	-	-
	7T		5.8 - 9.4	7.9 - 12.7		-	-
	8T		7.2 - 10	9.8 - 13.6		-	-
M8	4T	1.25	7.2 - 14	9.8 - 19	1.00	12 - 17	16.3 - 23
	7T		17 - 22	23 - 29.8		19 - 27	25.7 - 36.6
	8T		20 - 26	27.1 - 35.2		22 - 31	29.8 - 42
M10	4T	1.50	20 - 25	27.1 - 33.9	1.25	20 - 29	27.1 - 39.3
	7T		34 - 40	46.1 - 54.2		35 - 47	47.4 - 63.7
	8T		38 - 46	51.5 - 62.3		40 - 52	54.2 - 70.5
M12	4T	1.75	28 - 34	37.9 - 46.1	1.25	31 - 41	42 - 55.6
	7T		51 - 59	69.1 - 79.9		56 - 68	75.9 - 92.1
	8T		57 - 66	77.2 - 89.4		62 - 75	84 - 101.6
M14	4T	2.00	49 - 56	66.4 - 75.9	1.50	52 - 64	70.5 - 86.7
	7T		81 - 93	109.8 - 126		90 - 106	122 - 143.6
	8T		96 - 109	130.1 - 147.7		107 - 124	145 - 168
M16	4T	2.00	67 - 77	90.8 - 104.3	1.50	69 - 83	93.5 - 112.5
	7T		116 - 130	157.2 - 176.2		120 - 138	162.6 - 187
	8T		129 - 145	174.8 - 196.5		140 - 158	189.7 - 214.1
M18	4T	2.00	88 - 100	119.2 - 136	1.50	100 - 117	136 - 158.5
	7T		150 - 168	203.3 - 227.6		177 - 199	239.8 - 269.6
	8T		175 - 194	237.1 - 262.9		202 - 231	273.7 - 313
M20	4T	2.50	108 - 130	146.3 - 176.2	1.50	132 - 150	178.9 - 203.3
	7T		186 - 205	252 - 277.8		206 - 242	279.1 - 327.9
	8T		213 - 249	288.6 - 337.4		246 - 289	333.3 - 391.6

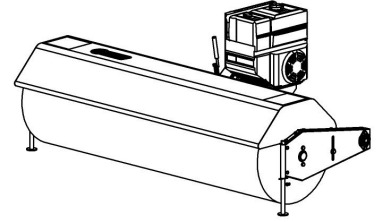
## OPTIONS & ACCESSORIES



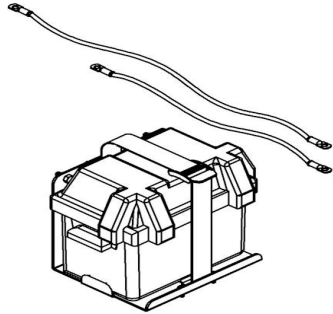
**#700456  
LIGHT KIT**  
Better visibility for night time use



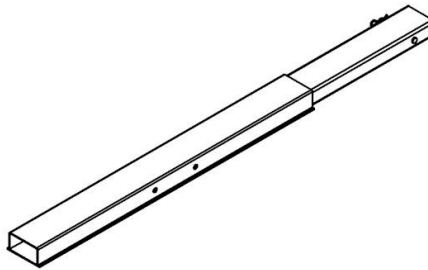
**#700535  
SNOW DRIFT CUTTER**  
Slices through high snow drifts to facilitate and increase snow intake. Package of 2.



**#700854BER  
66" ROTARY BROOM**  
For UV



**#700524  
SUPPORT FOR BATTERY  
(BATTERY NOT INCLUDED)**  
For ATV or UV



**SUBFRAME EXTENSION**  
**#700485**  
For bigger vehicle











***WHEN PERFORMANCE  
& DEPENDABILITY  
ARE NON NEGOTIABLE!***

**Bercomac Limitée  
92, Fortin North, Adstock, Quebec, Canada, G0N 1S0**

***WWW.BERCOMAC.COM***

**PRINTED IN CANADA**

**(ORIGINAL NOTICE)**