



**ASP GROUP®**

*INSTALLATION INSTRUCTIONS*

**TGB**

**BLADE 600/1000**



## **SAFETY INSTRUCTIONS**

***Warning: Failure to heed all safety and operating instructions and warnings regarding use of this product can result in serious bodily injury.***

***ONLY TRAINED AND ADVACEND PERSONS CAN INSTALL THIS CABINE***

***EVERY PERSON, WHO USING VEHICLE WITH CABINE, IS OBLIGED TO USE PROTECTIVE HELMET AND PROTECTIVE GLASS***

***IS STRONGLY RECOMMENDED TO USE BODY PROTECTION (LIKE MOTORBIKE SUITS)***

***READ PROPERLY COMPLETE ASSEMBLY INSTRUCTIONS BEFORE STARTING OF ASSEMBLY***

***Install all parts indicated in assembly instructions. Failure to fully assemble product before use could result in personal injury.***

***Assembly of product requires use of hand or power tools. If you are not experienced in using these types of tools, have product dealer do the install for you.***

***Some parts contain sharp edges, wear protective gloves if necessary. Always keep your assembly area clean, uncluttered and well lit.***

***Keep visitors and children a safe distance away from the assembly area. Visitors should wear the same safety equipment described under.***

***Dress for safety. DO NOT wear loose clothing, gloves, neckties or jewelry if using power tools to assemble this product. Insert all nut covers after you finish installation.***

## **MAINTANCE AND CLEANING**

*To clean polycarbonate surface use soapy water solution or other subtle means.*

*Dirt and dust wash by gently water stream and swipe only with wet or damp means in the direction from top to bottom.*

*The recommended frequency of cleaning of polycarbonate part is about 1 time per month or according to the actual degree of pollution.*

*Do not use detergents that could scratch the surface plates. (abrasives, harsh fabrics, etc.)*

*Do not use solvents or alkaline detergents or cleaners with ammonia (ammonium hydroxide).*

*Do not remove the impurities from the surface of the razor blades or other sharp items.*

*Do not clean cabine, when the polycarbonate plates are heated by the sun.*

*Do not use the squeegee, it could be scratched surface plates.*

*Do not clean the water current strength greater than 50 bar (WAP)*

*The manufacturer is not responsible for scratching the surface in case of failure to comply with the above instructions.*

*All bolted connections of cab must be by user at regular intervals checked and tightened.*

*It is necessary to check the air filter of the heater regularly, depending on the dust environment in which the vehicle is operated.*



**CAB PREVIEW**

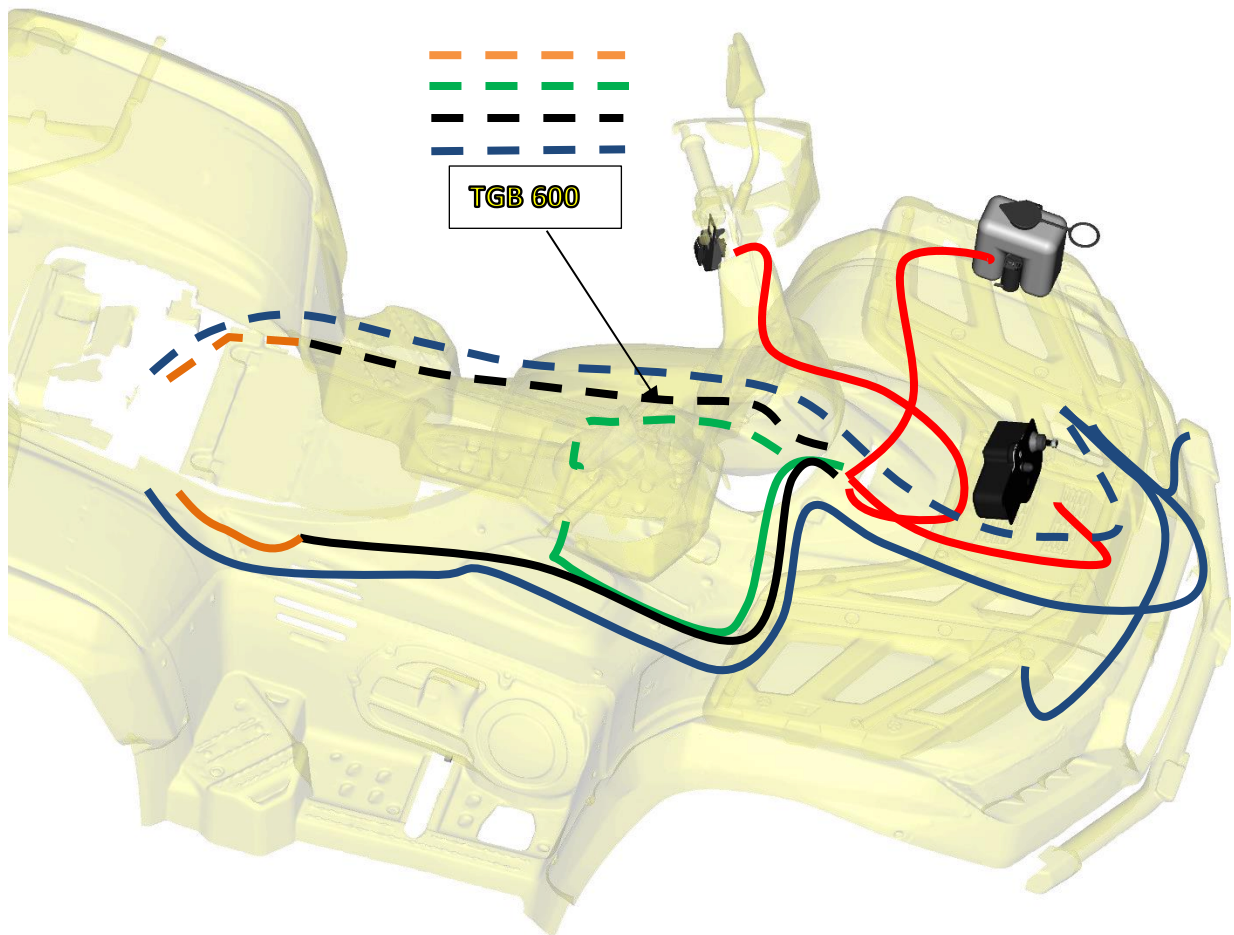


4



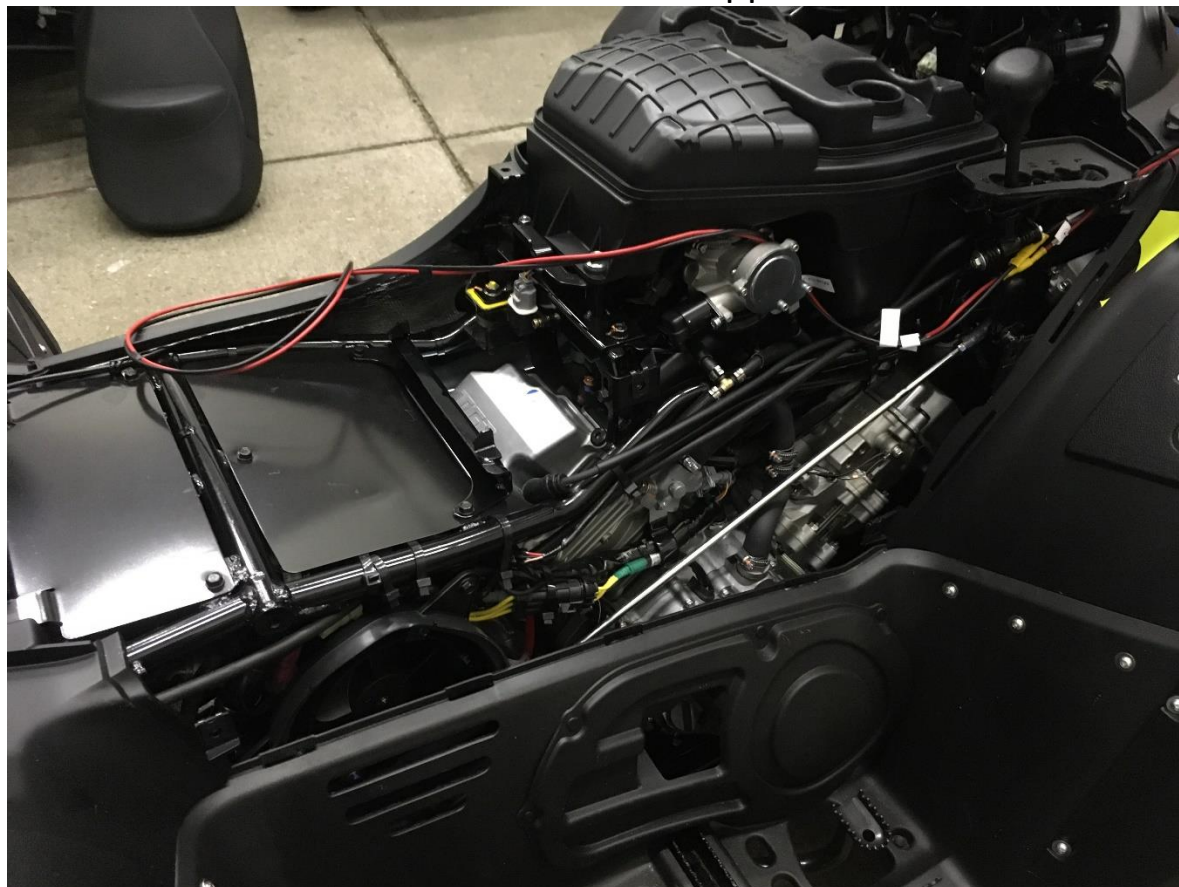
**ELECTROINSTALLATION 1****SCHEMATIC OVERALL DIAGRAM**

- **POWER SUPPLY HARNESS**
- **POWER SUPPLY HARNESS EXTENSION**
- **RELAY HARNESS (ACC)**
- **WIPER/WASHER HARNESS -**
- WINDOW DEFROST HARNESS**



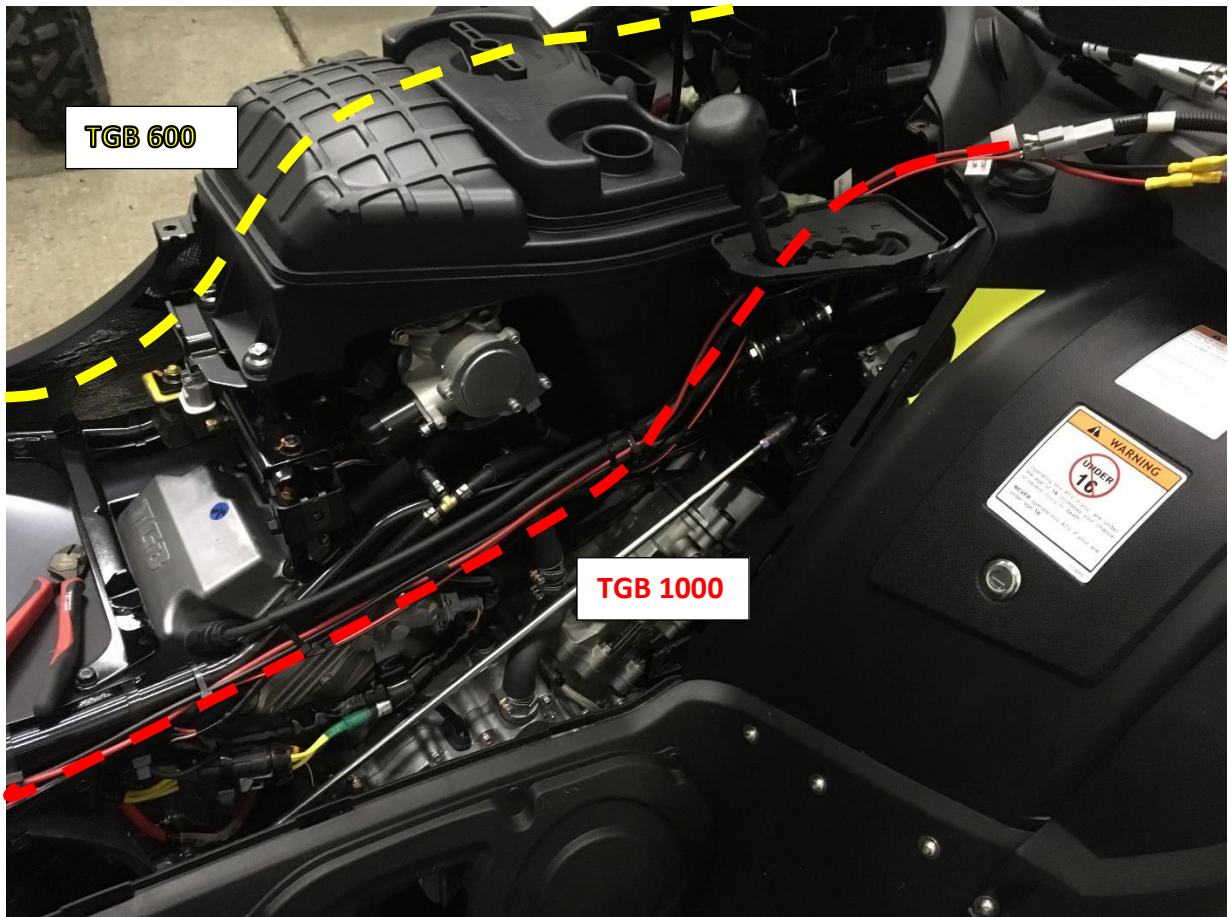
If you have a TGB 600 route the harnesses on the other side of the vehicle.

Unmount seats and side upper cover.



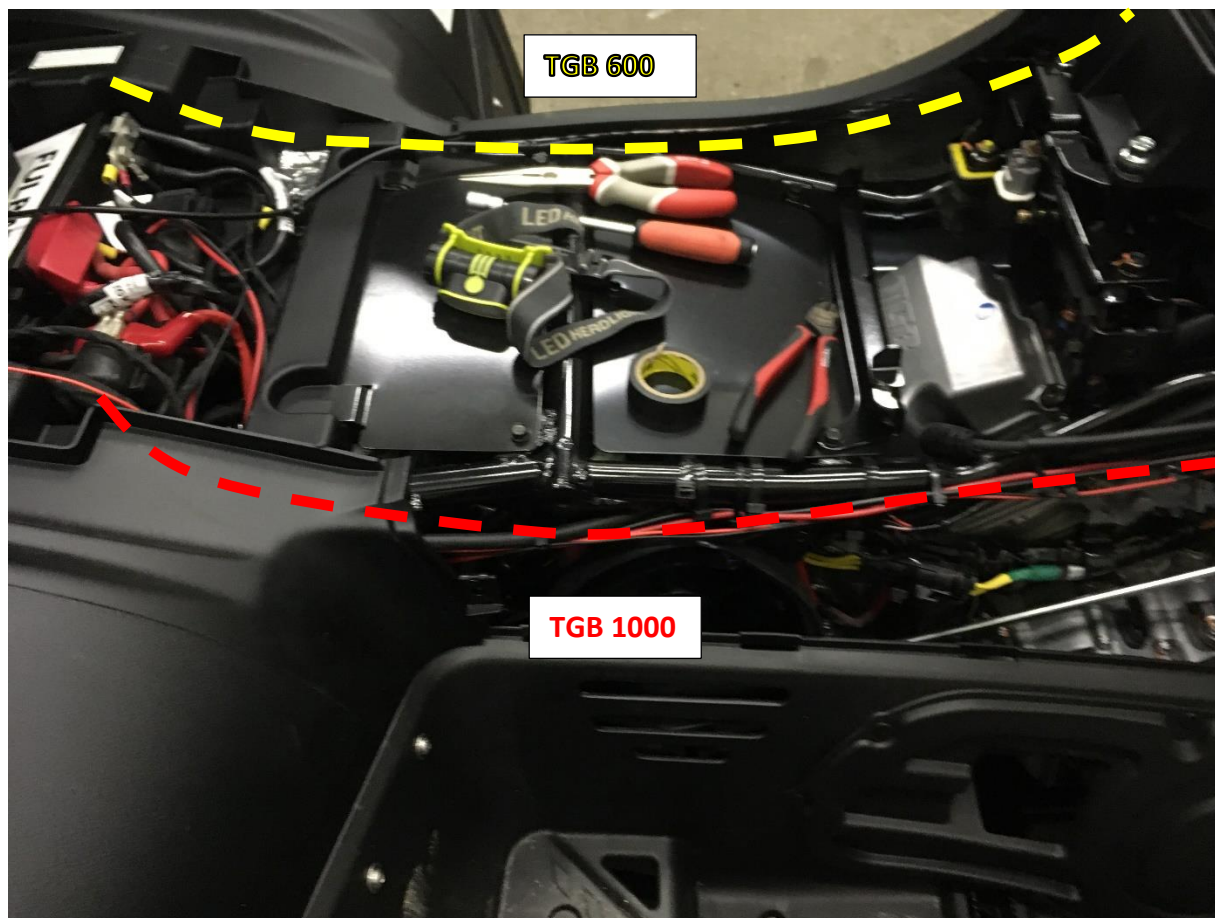
6

Connect Power supply harness and power supply harness extension together. Place power supply harness, and if you have window defrost electrical harness, and run the battery connectors branches to the battery. See picture below for your better orientation.

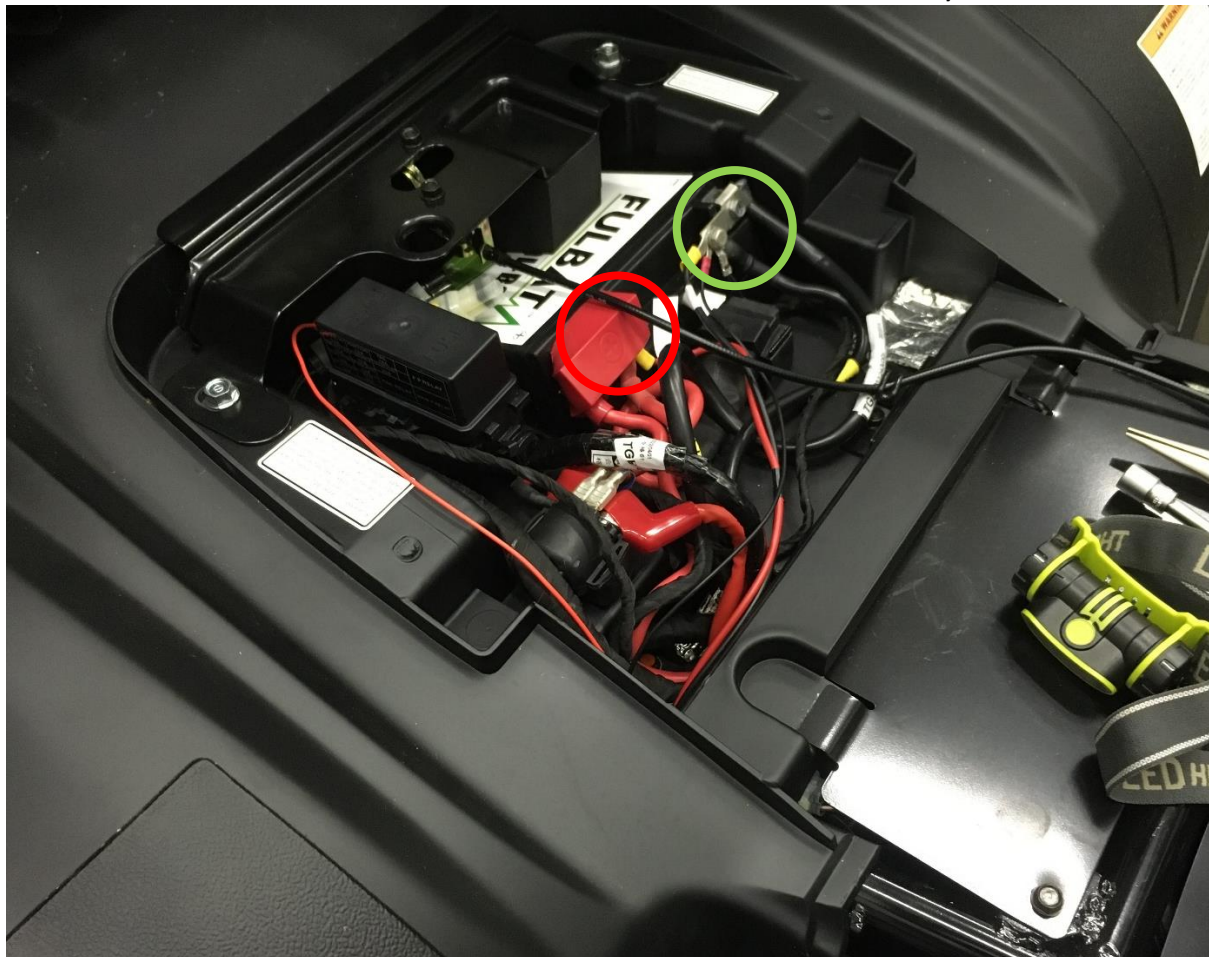


SEE NEXT PAGE





**Connect the battery connectors only after all other wirings have been connected.** Red wire has to be connected with “plus”; black wire has to be connected with “minus”)

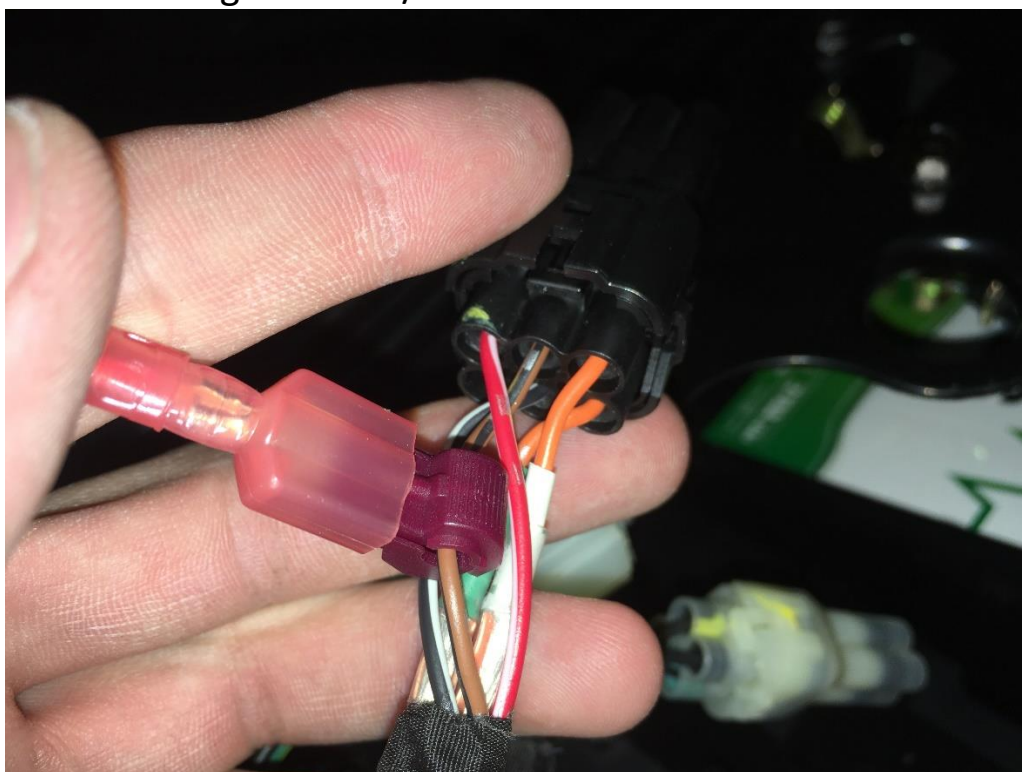


9

Find the original connector near the battery space.



Install the cross-wire connector (on relay harness ACC) onto the original black/brown wire. DETAIL VIEW

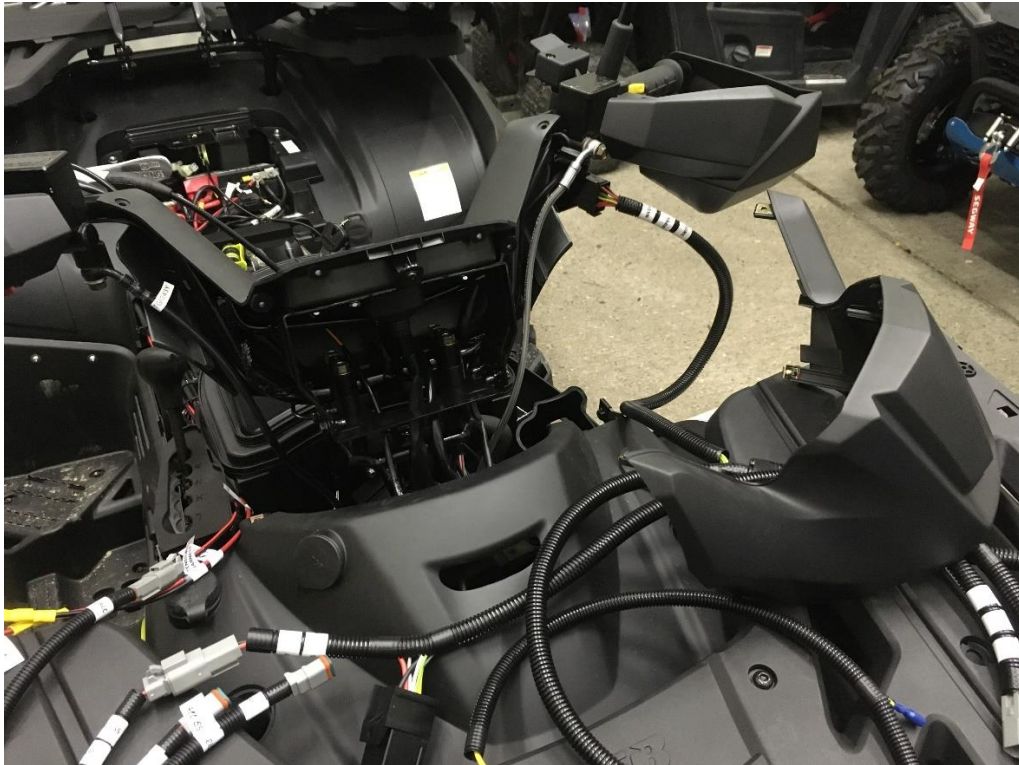




Connect relay harness (ACC) connector with the appropriate connector on the power supply harness.



Connect power supply connector on wiper/washer electrical harness with the appropriate connector on the power supply harness.



11

Run the washer harness under the grill to the left front space.



Replace original winch holder on the handlebar with a winch and wiper/washer switch holder. Mount wiper/washer switch into the holder and connect the appropriate connector wiper/washer electrical harness to the switch.

12

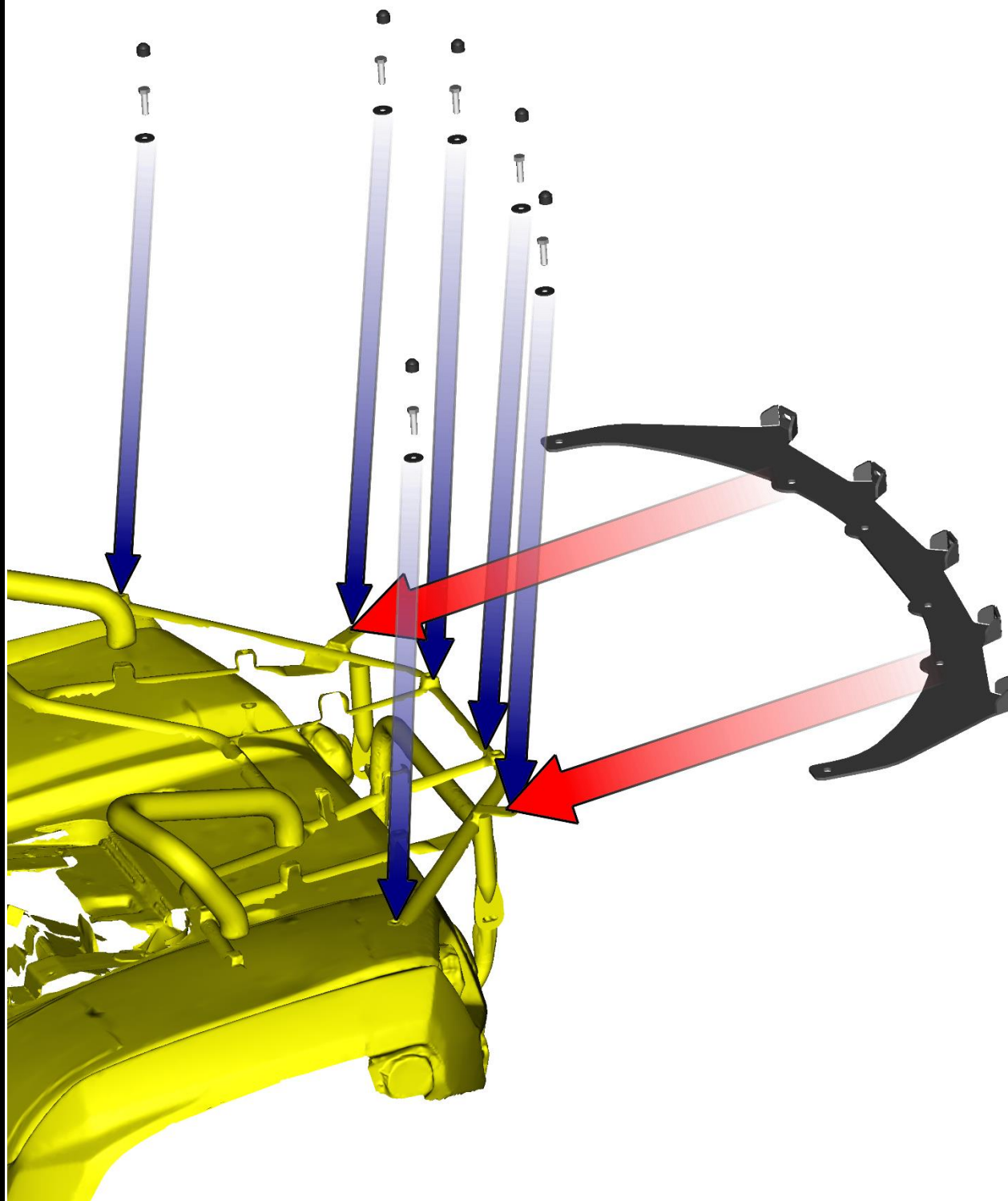


Install the covers back to position.



### FRAME HOLDERS INSTALLATION

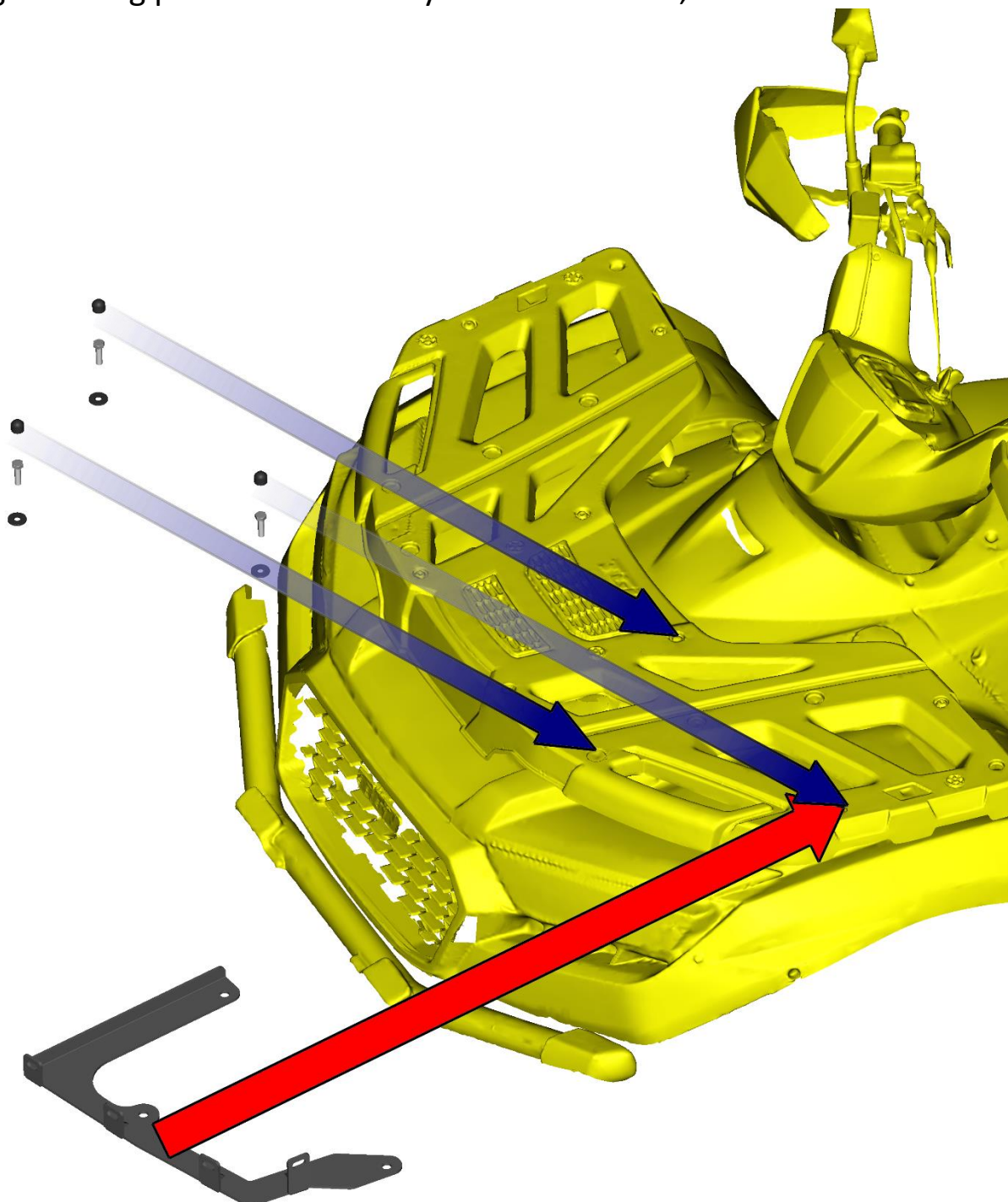
Place the rear frame holder onto the rear rack. Fix the holder to original fixing points of vehicle by included screws, washers and covers.



13

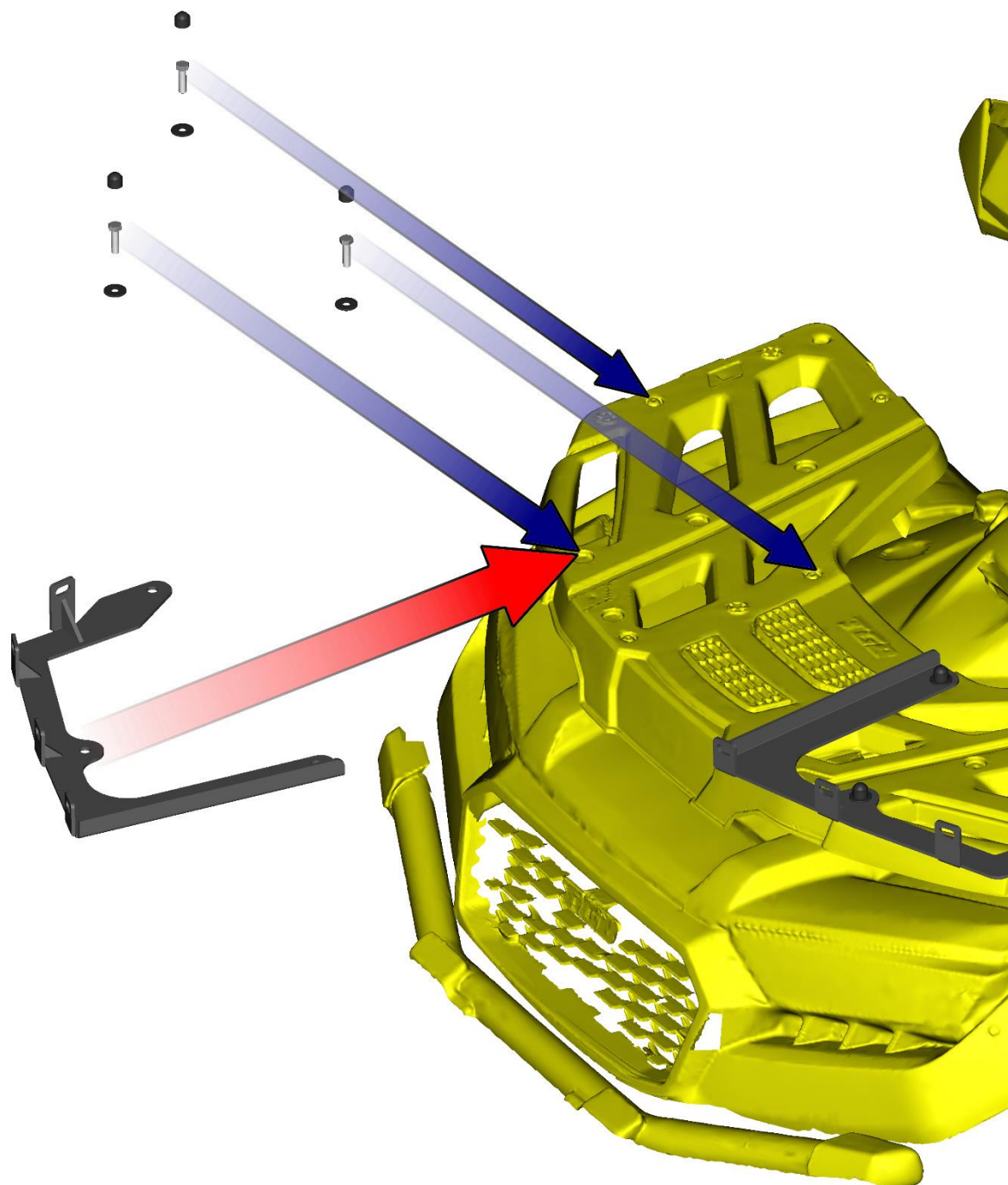


Place the front left frame holder onto the front rack. Fix the holder to original fixing points of vehicle by included screws, washers and covers.



14

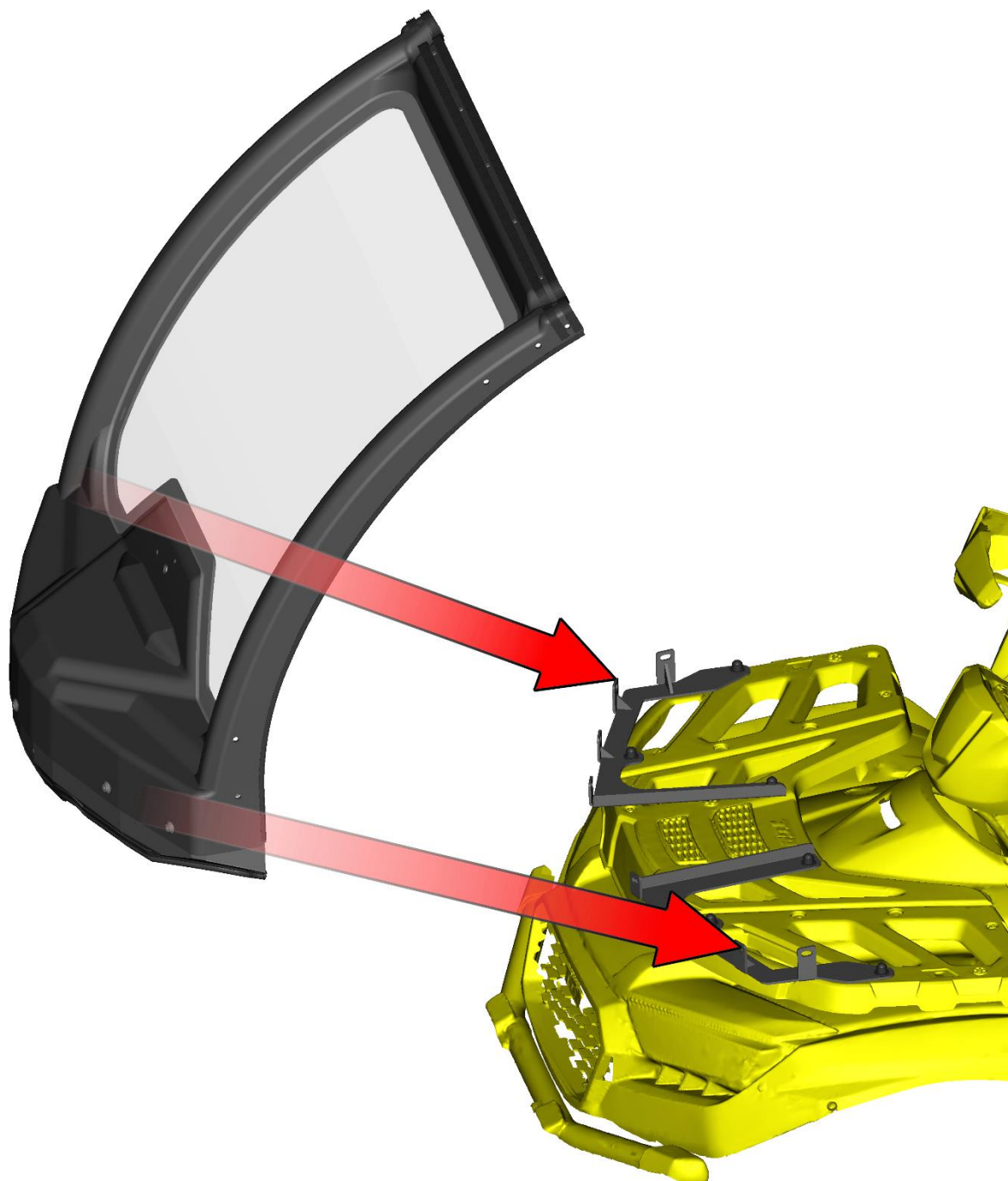
Place the front right frame holder onto the front rack. Fix the holder to original fixing points of vehicle by included screws, washers and covers.



15

### PANELS INSTALLATION

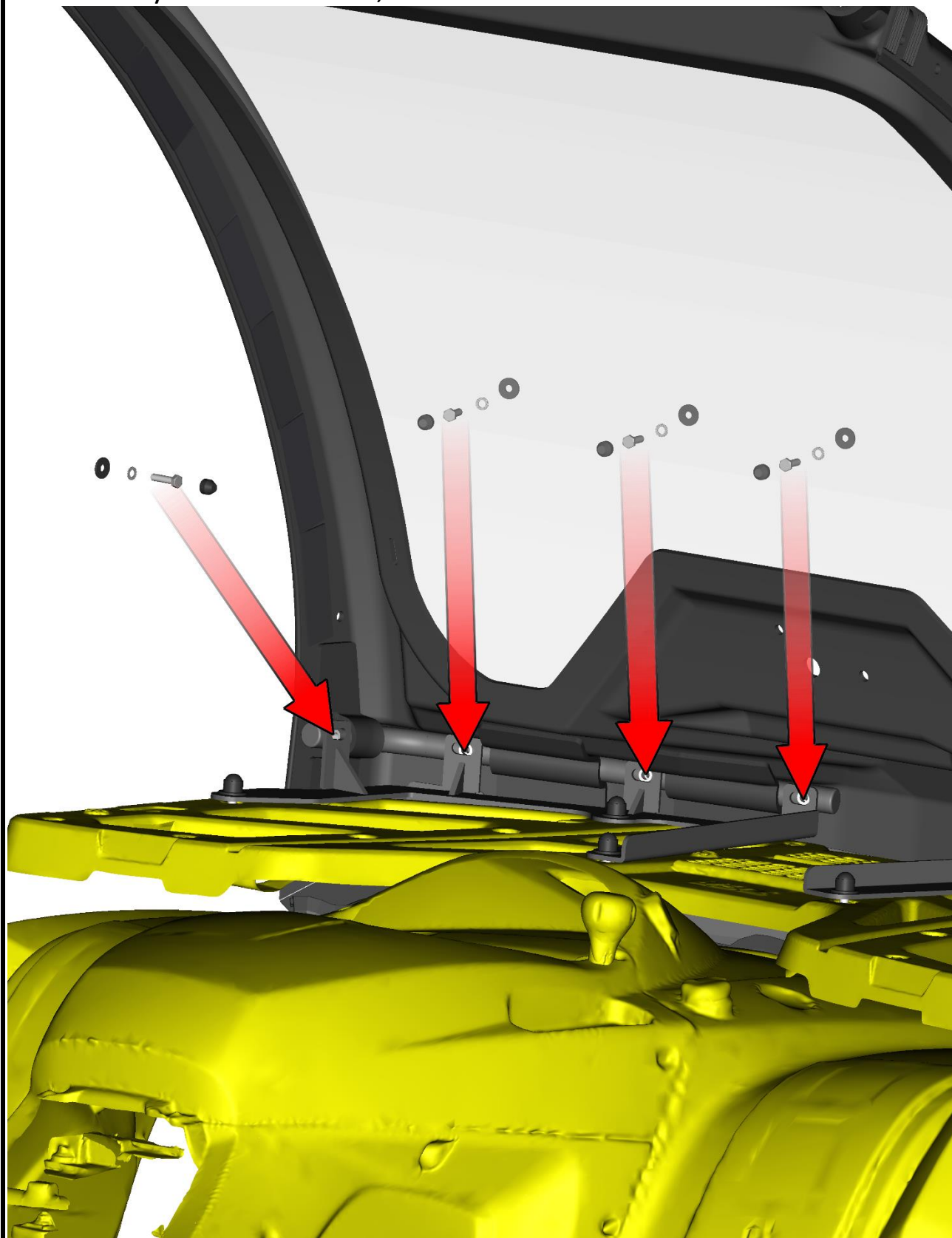
Place the front panel onto the front frame holders of the front part of the vehicle.



16

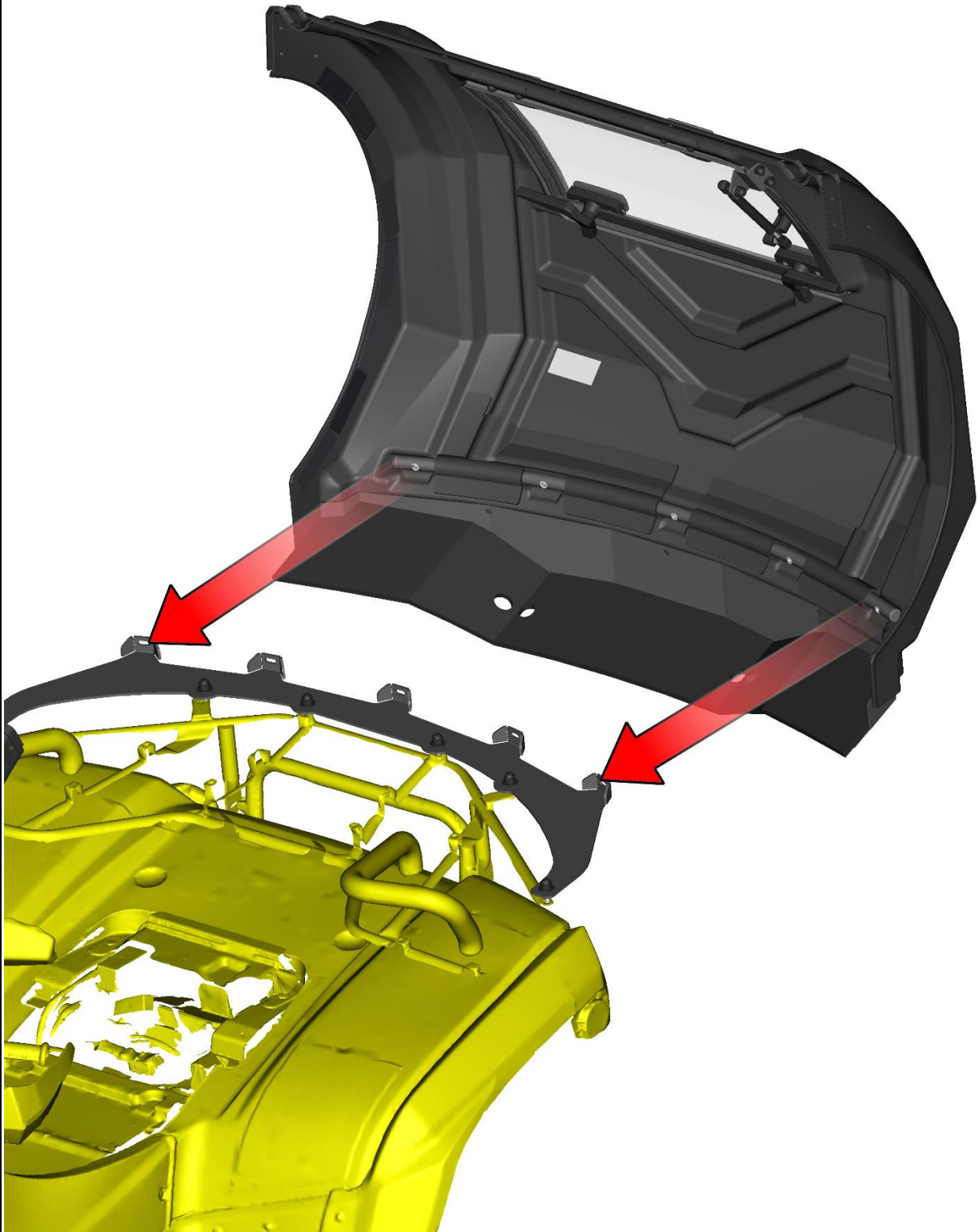


Fix the front panel with the frame holders  
by included screws, washers and covers on both sides.



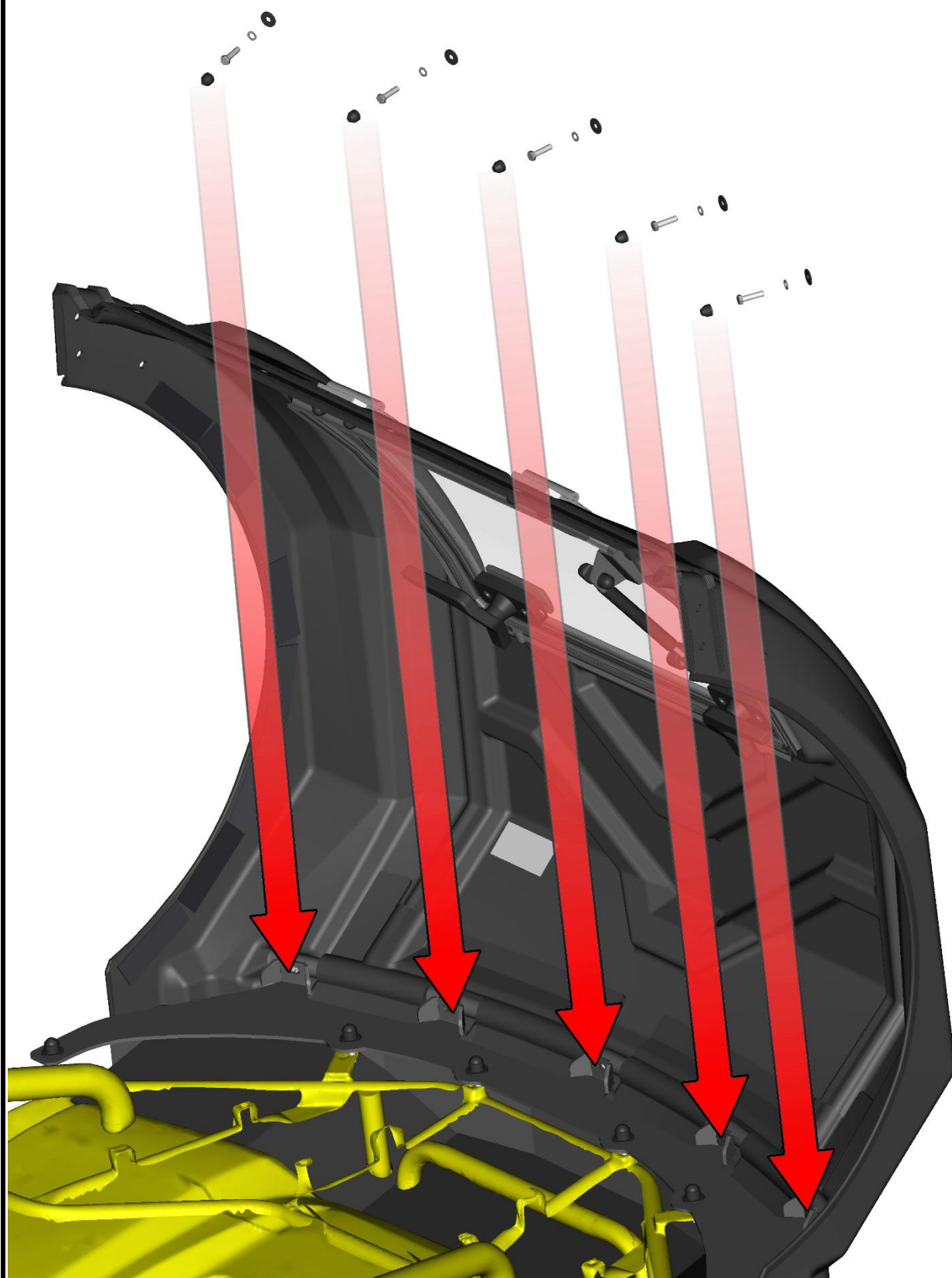
17

Place the rear panel onto the rear frame holders of the vehicle.



18

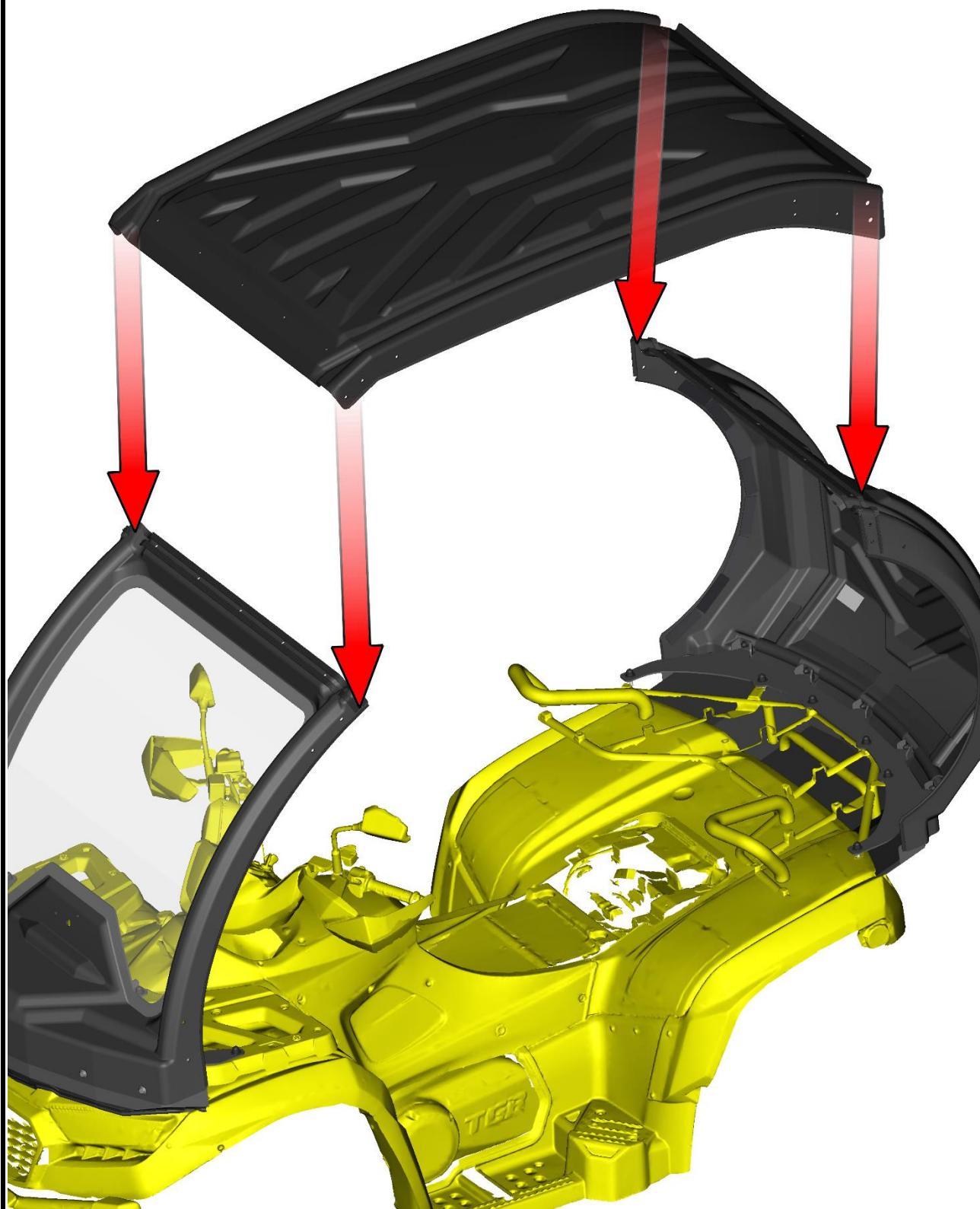
Fix the rear panel with the frame  
by included screws, washers and covers.



19

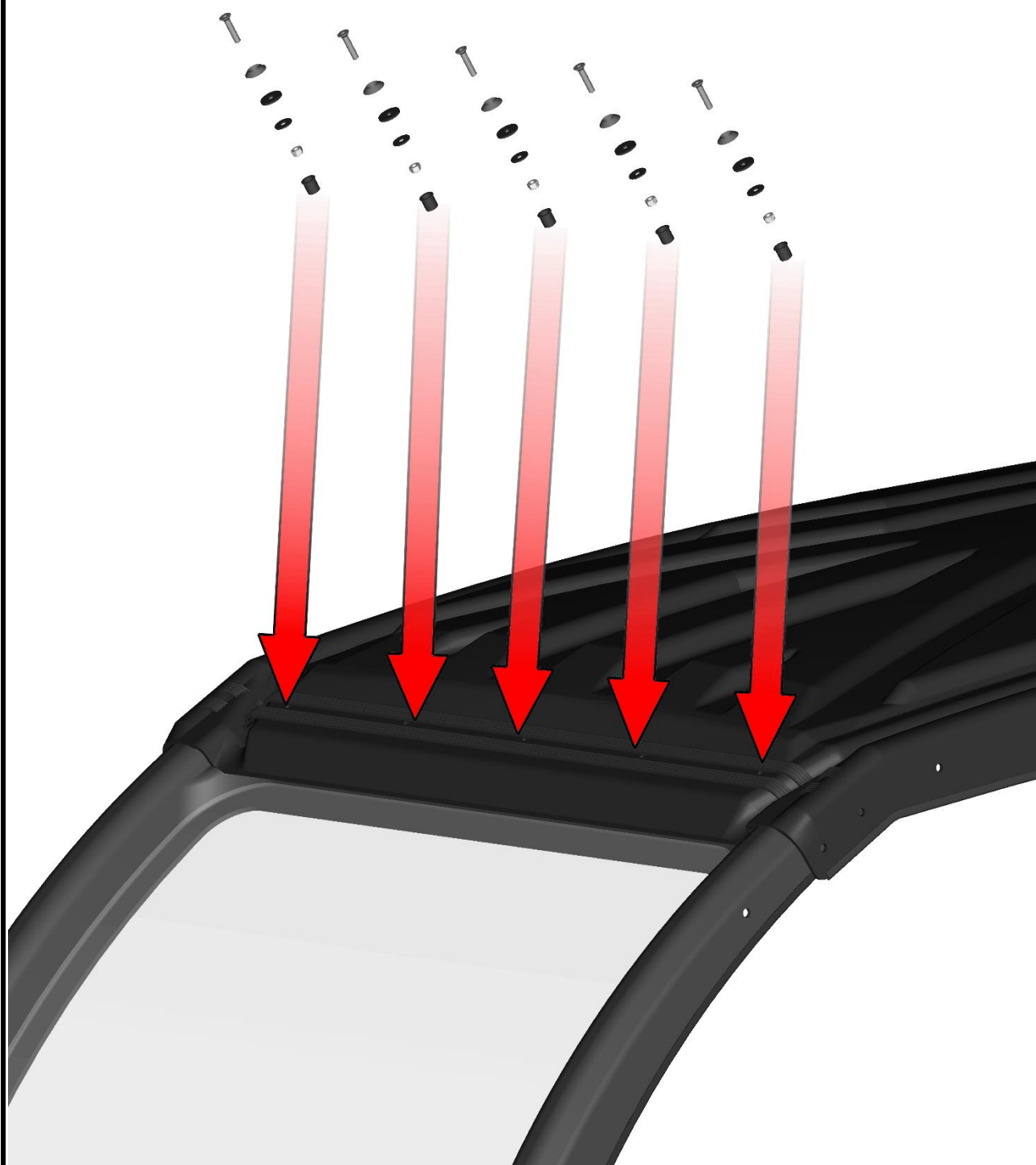


Connect front panel and rear panel with the roof. Use only centered bolts as seen in the next pictures!



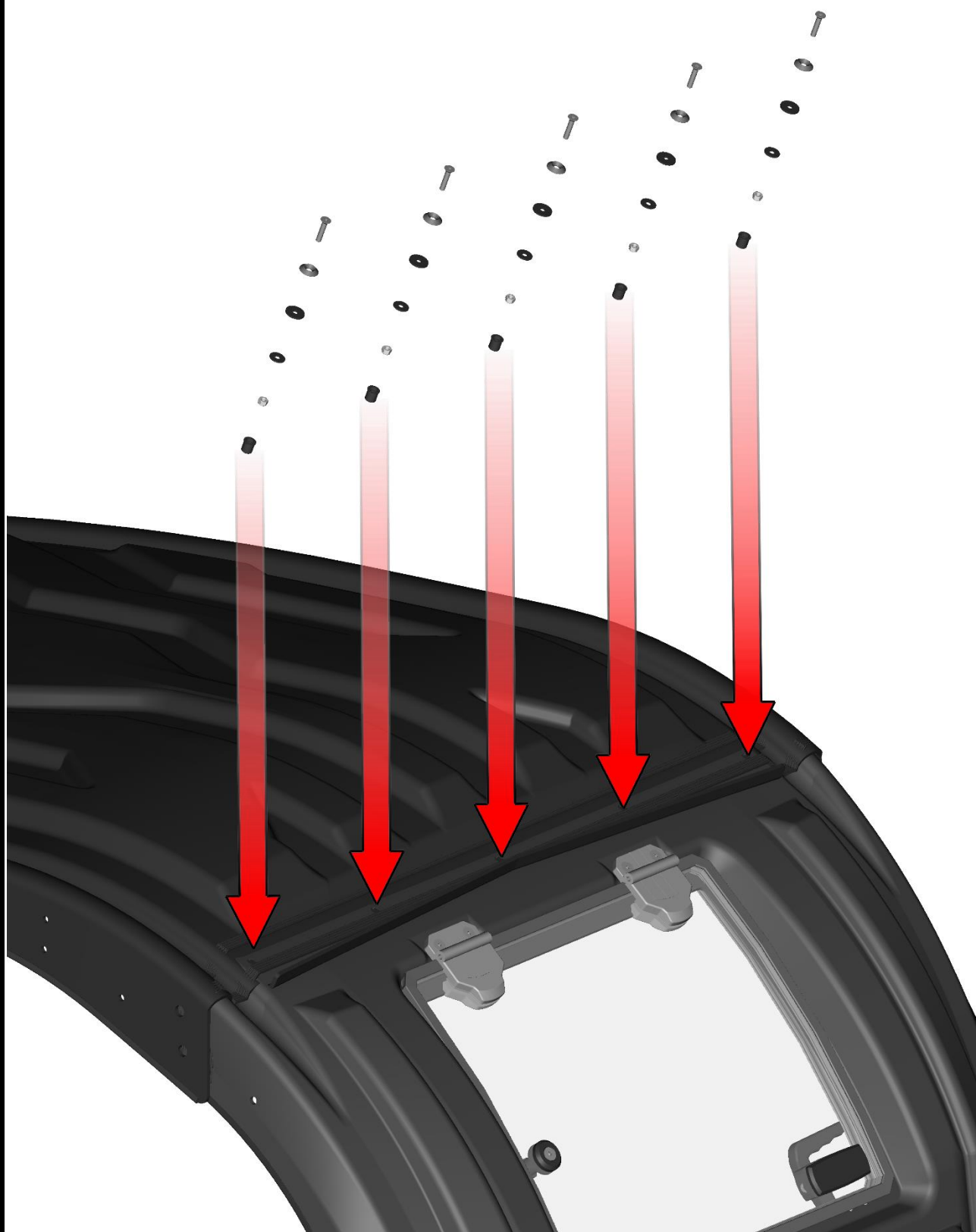
20

Adjust the roof panel to correct position and fix the front panel with the roof panel by included screws, washers, nuts and covers.



21

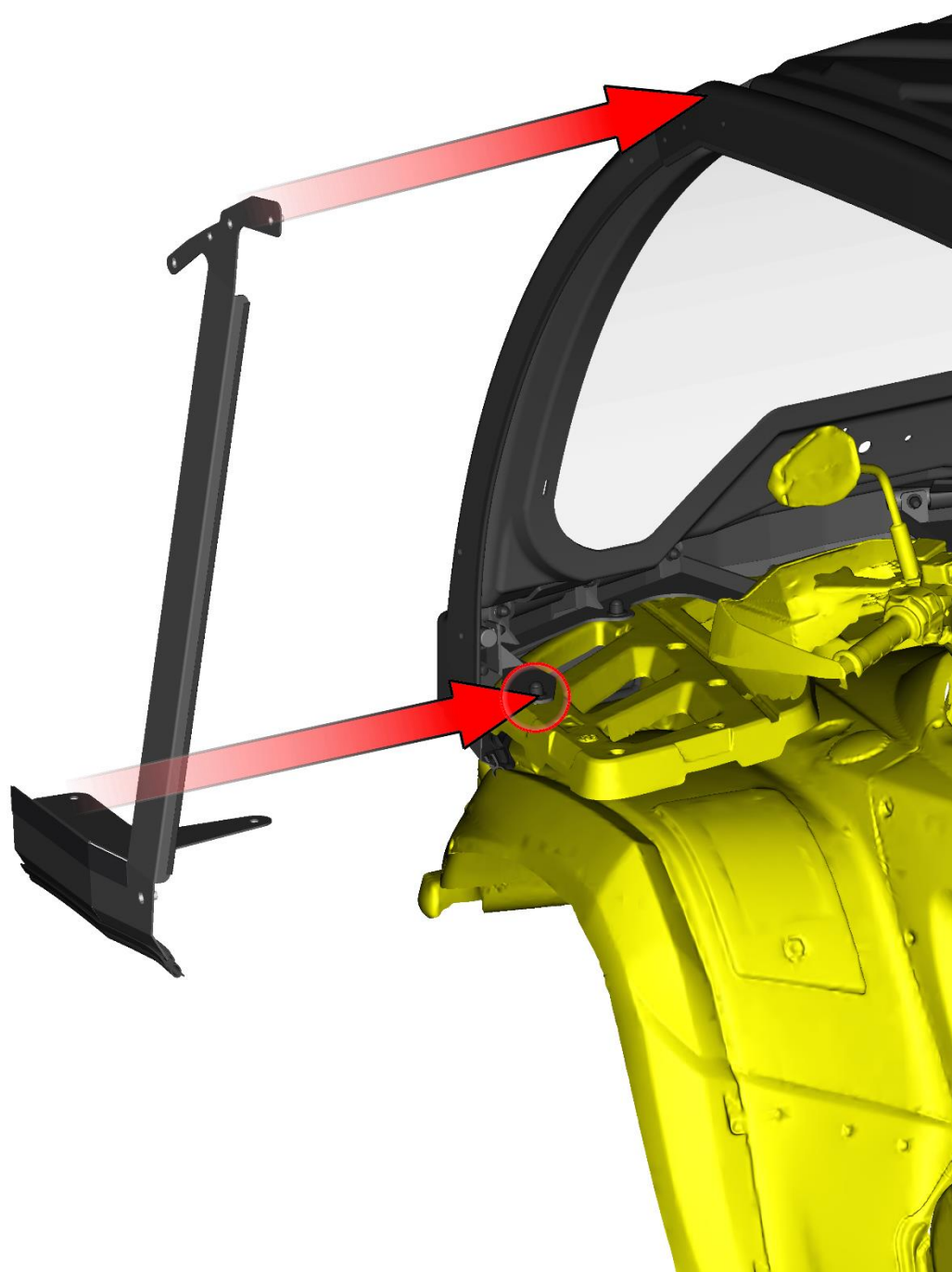
Adjust the roof panel to correct position and fix the rear panel with the roof panel by included screws, washers, nuts and covers.

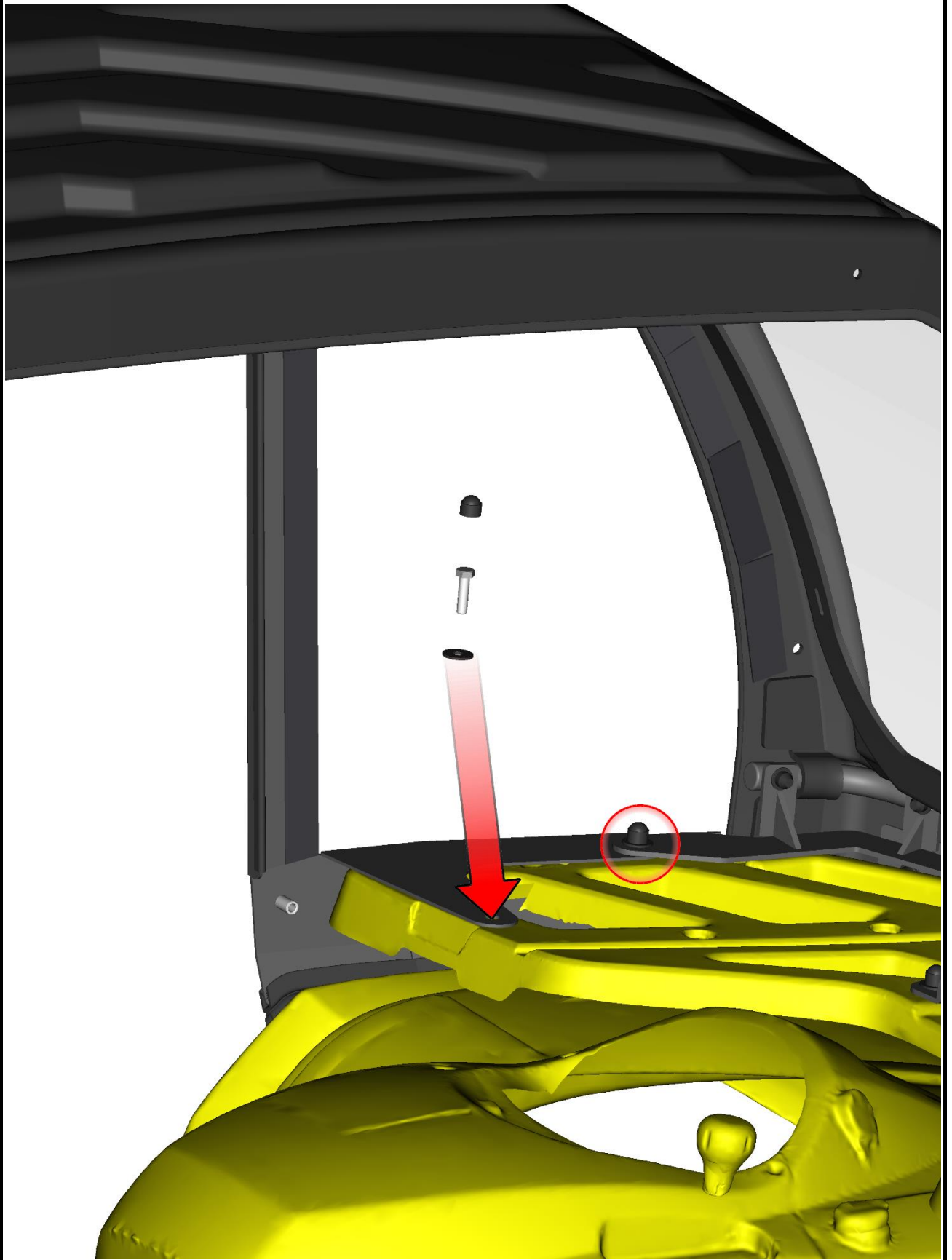


22

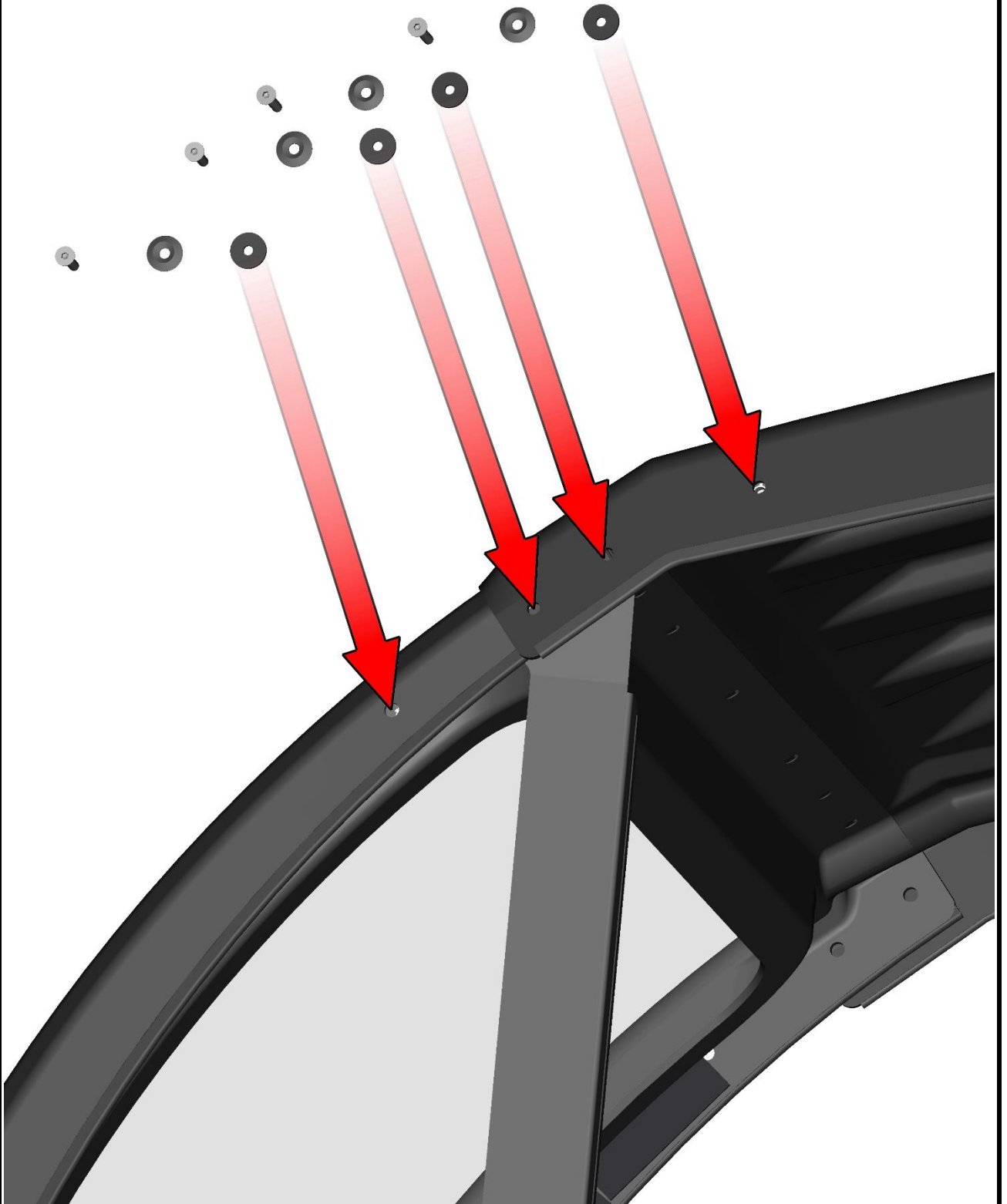


Place the left front reinforcement onto the vehicle and insert upper part of the reinforcement under the roof carefully. Fix the reinforcement with the vehicle original fixing point by included screw and washer.





Mount front panel, roof panel and left front reinforcement together.



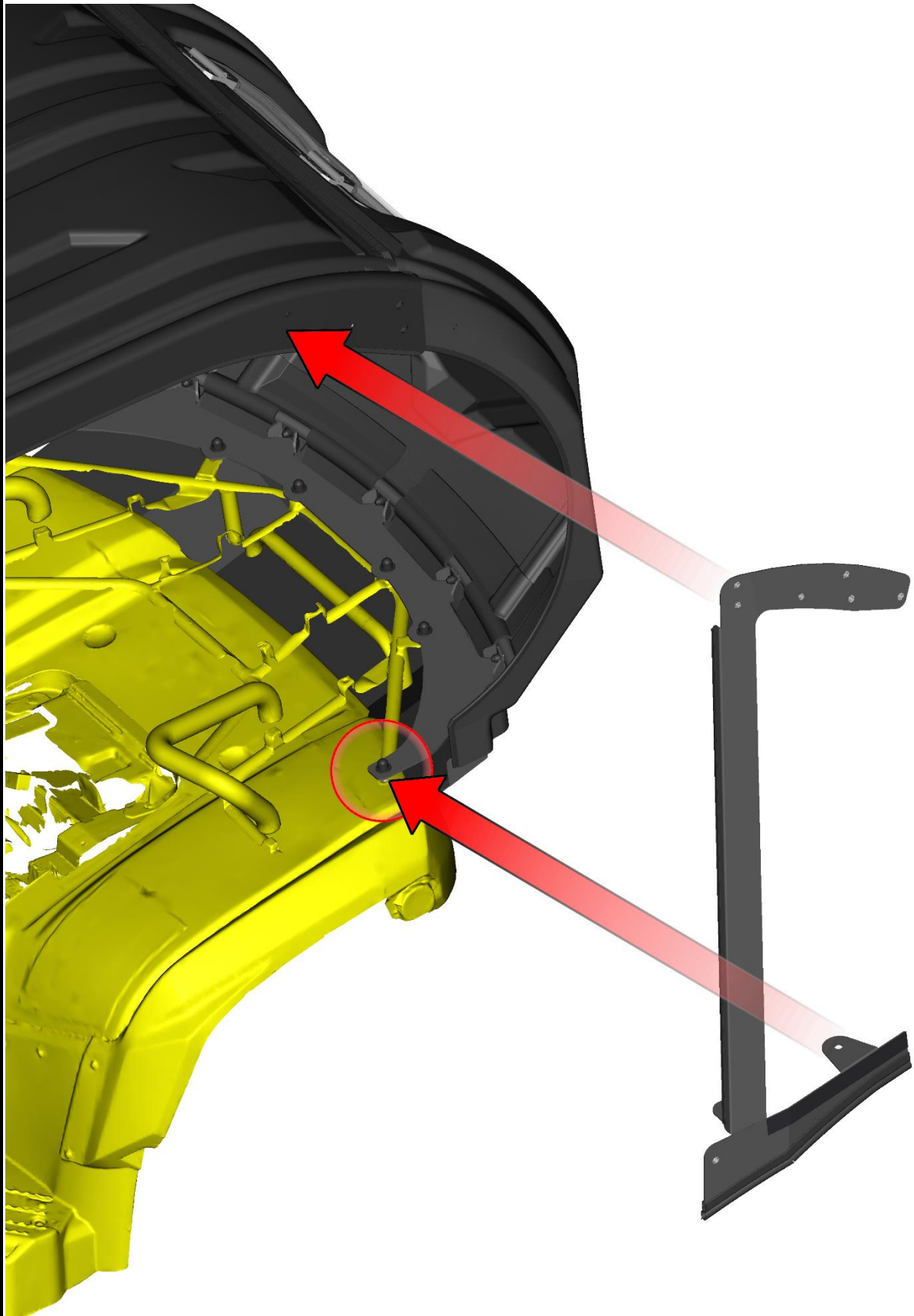
25

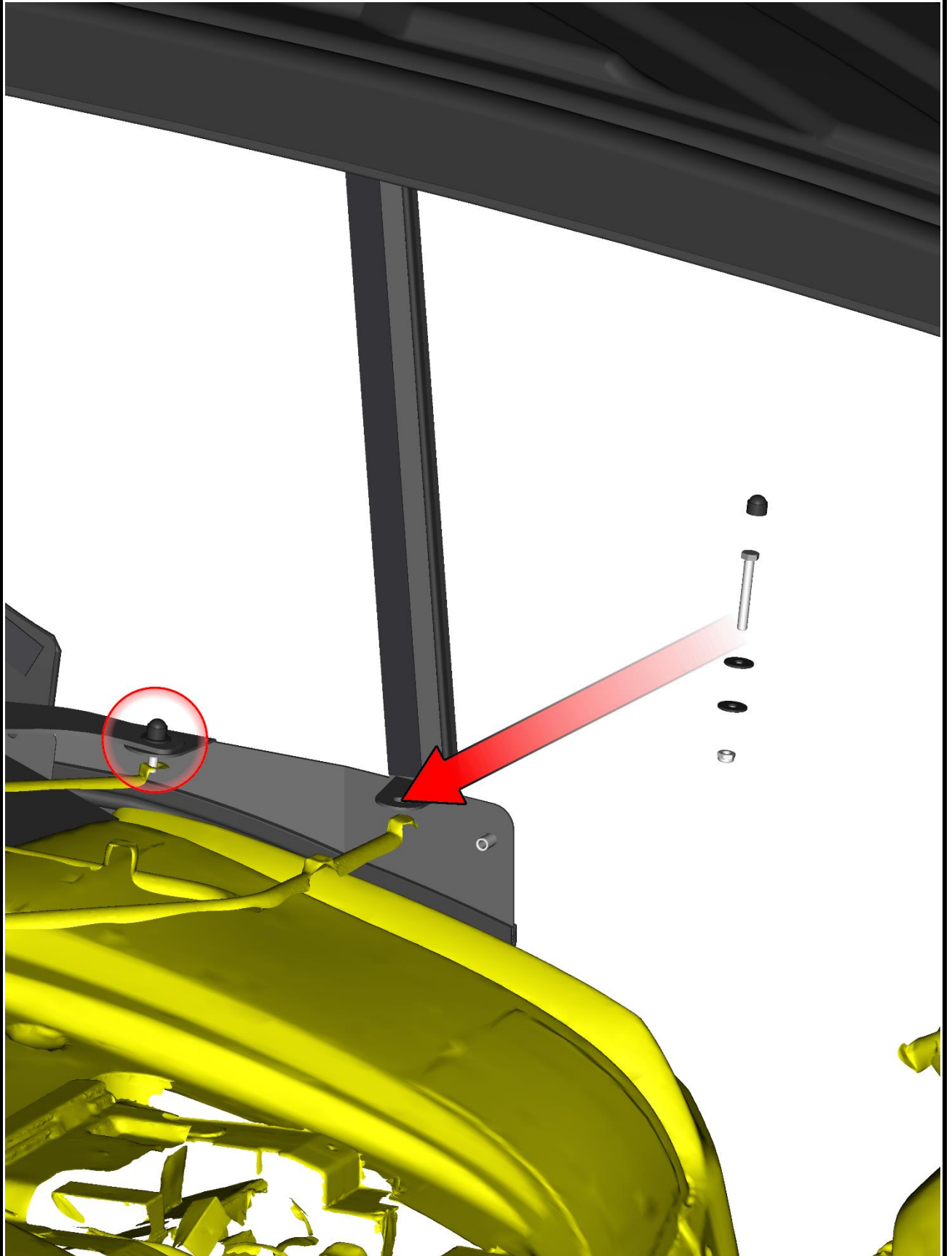


Repeat previous steps on the second side.

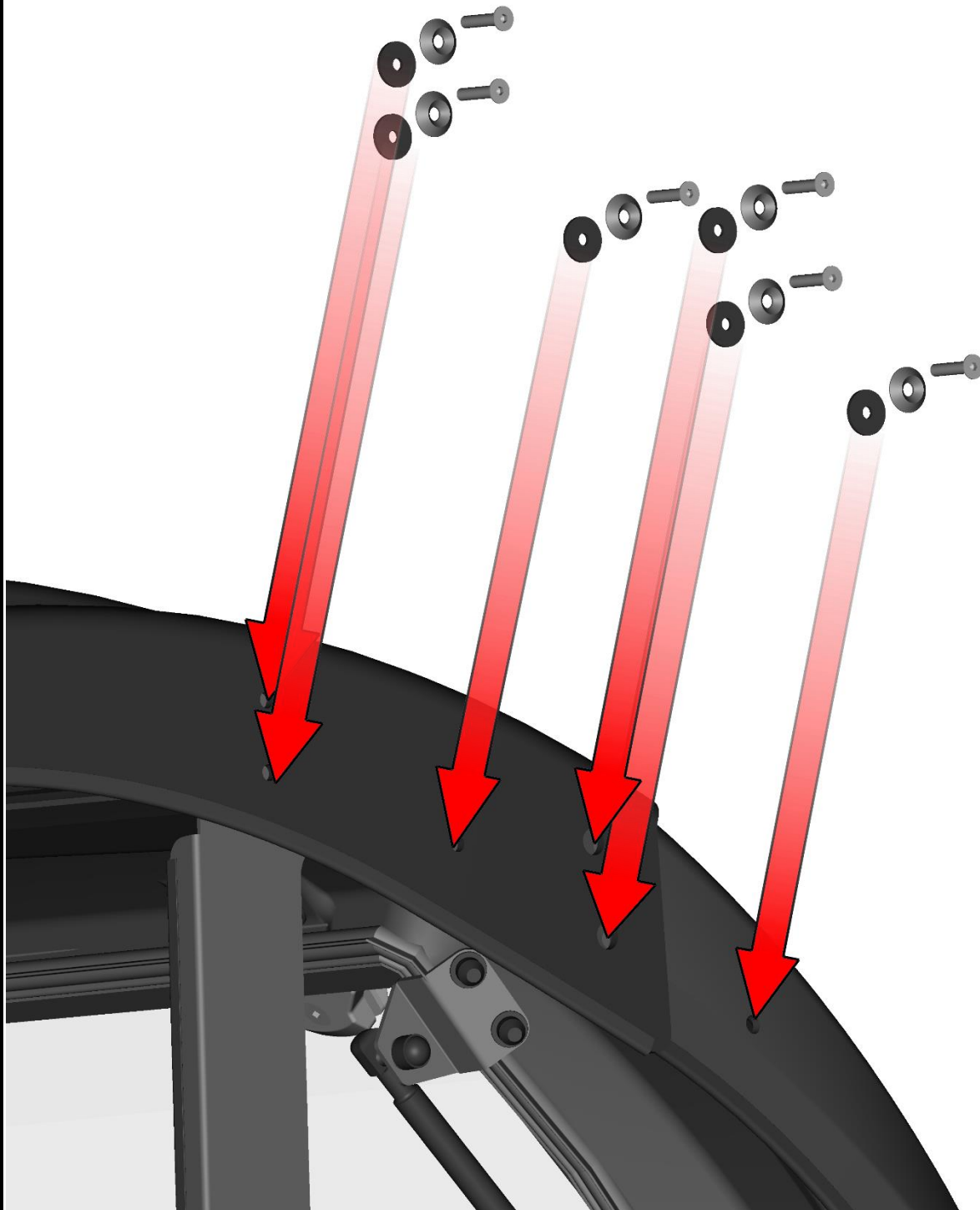


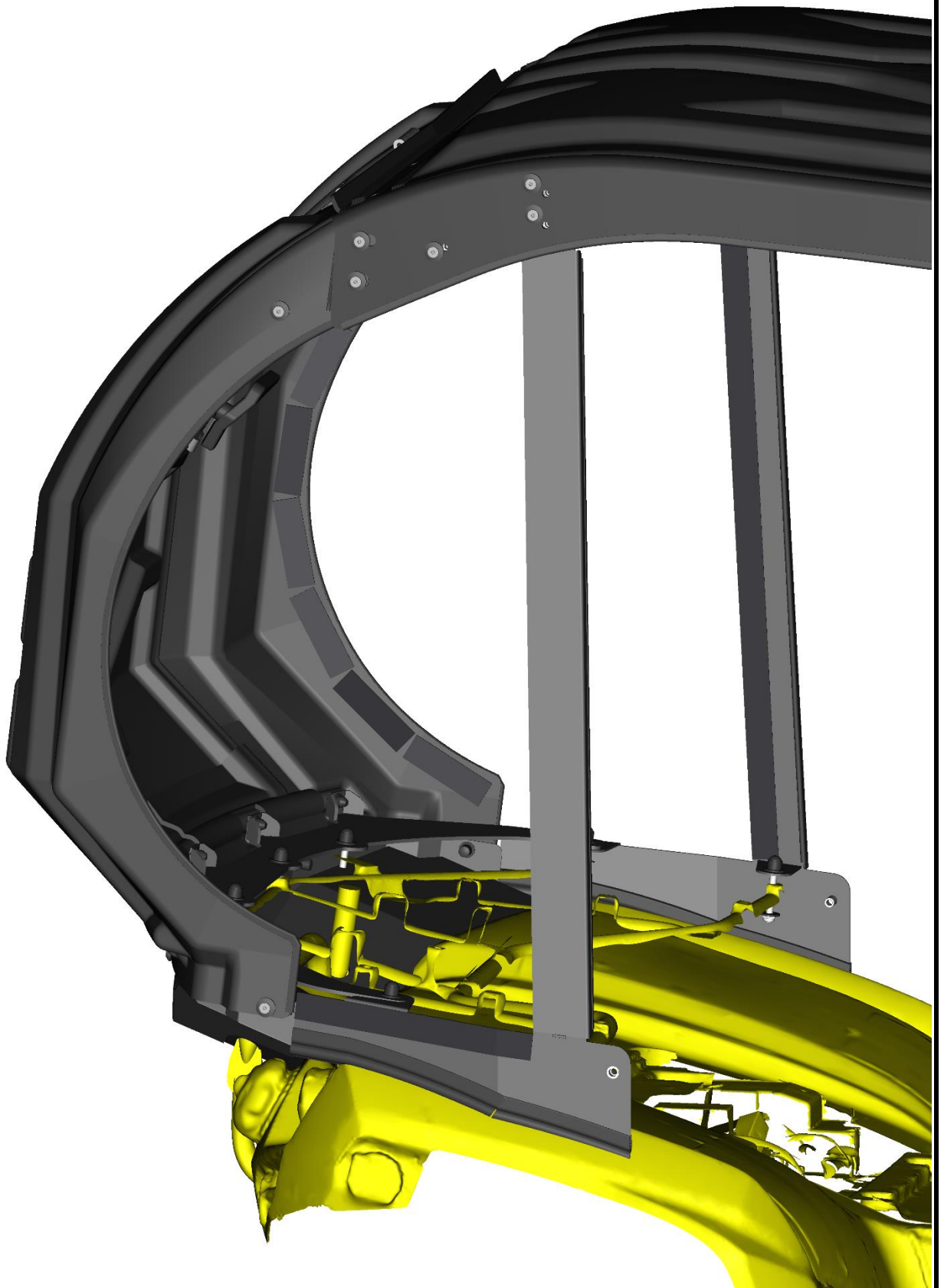
26









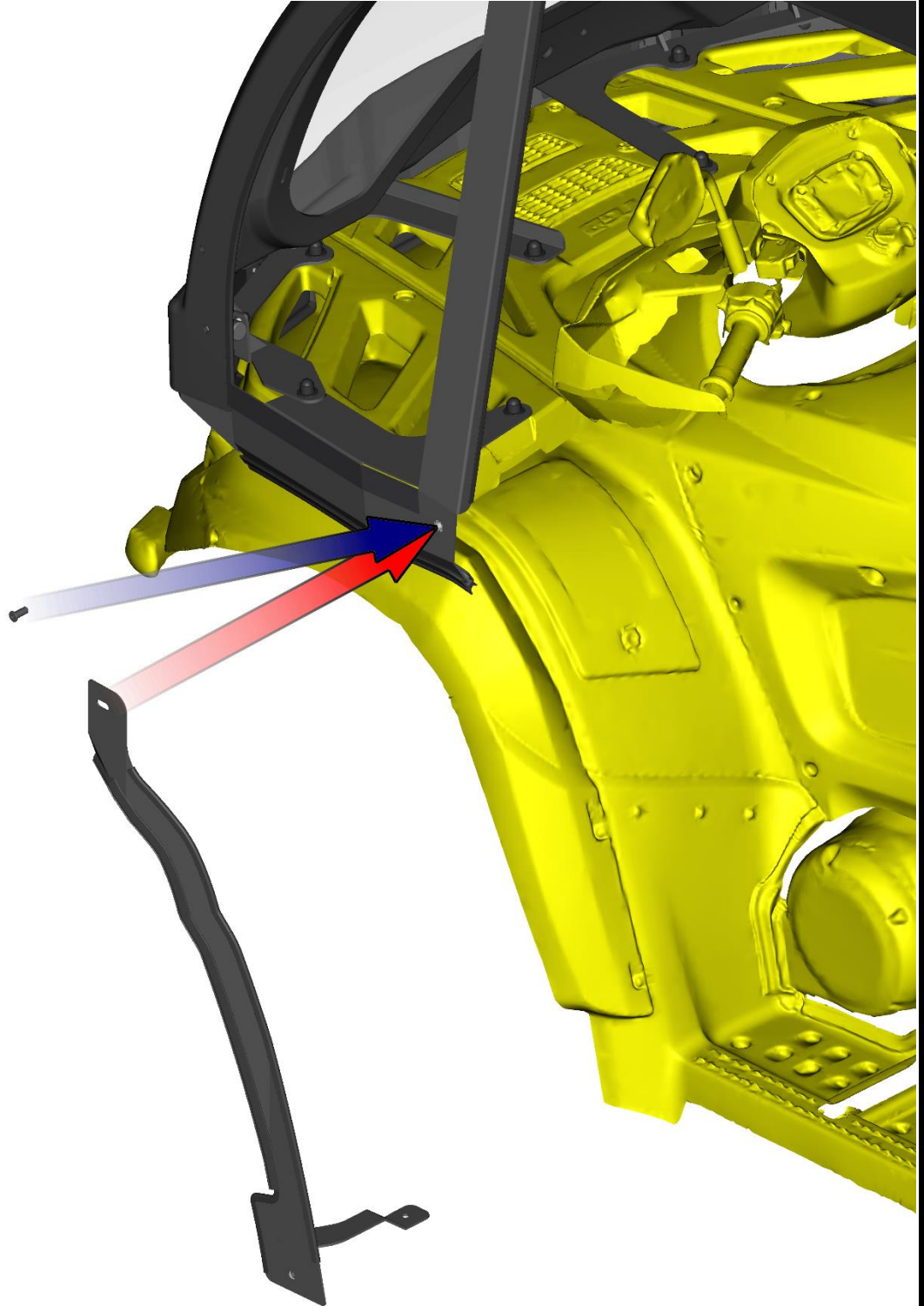


30

### LEFT AND RIGHT DOOR INSTALLATION

**If you don't have door assemblies skip to page 47.**

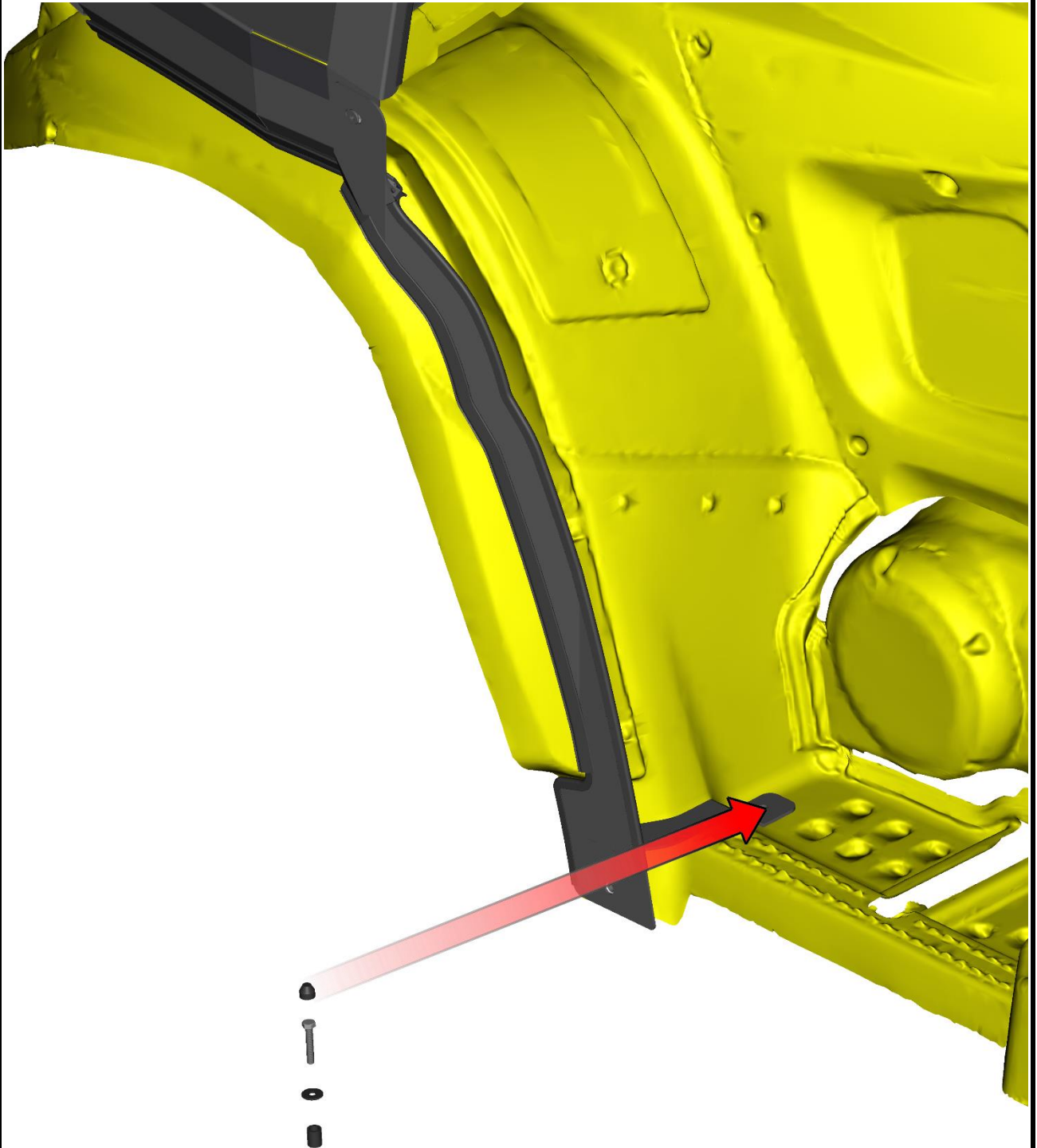
Place the front door ledge onto the front reinforcement and fix the ledge with the reinforcement by included screw.



31

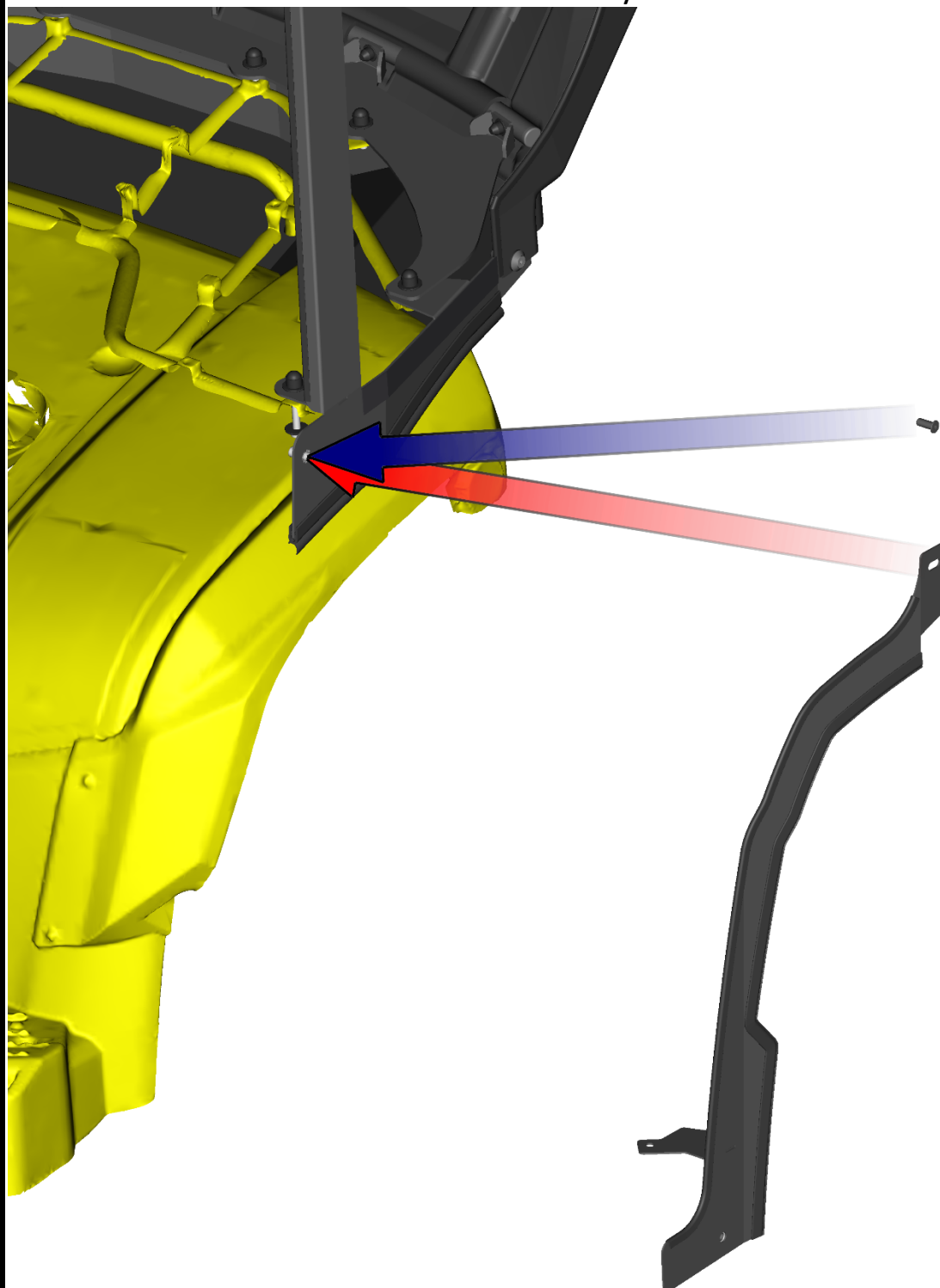


Adjust the front door ledge to correct position and fix the ledge with the vehicle by original fixing point and by included screw, washers and tube.

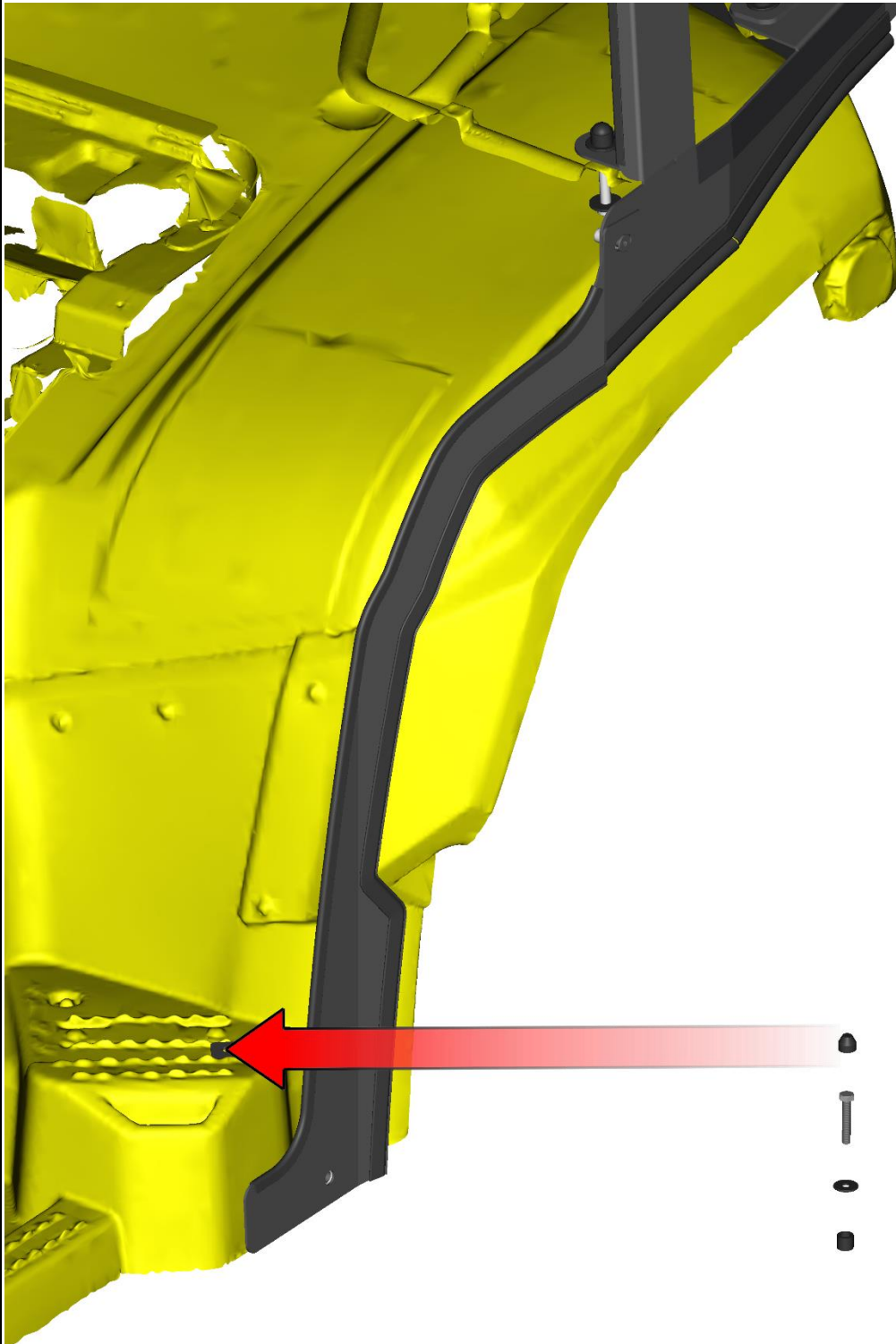


32

Place the rear door ledge onto the rear reinforcement and fix the ledge with the reinforcement by included screw.

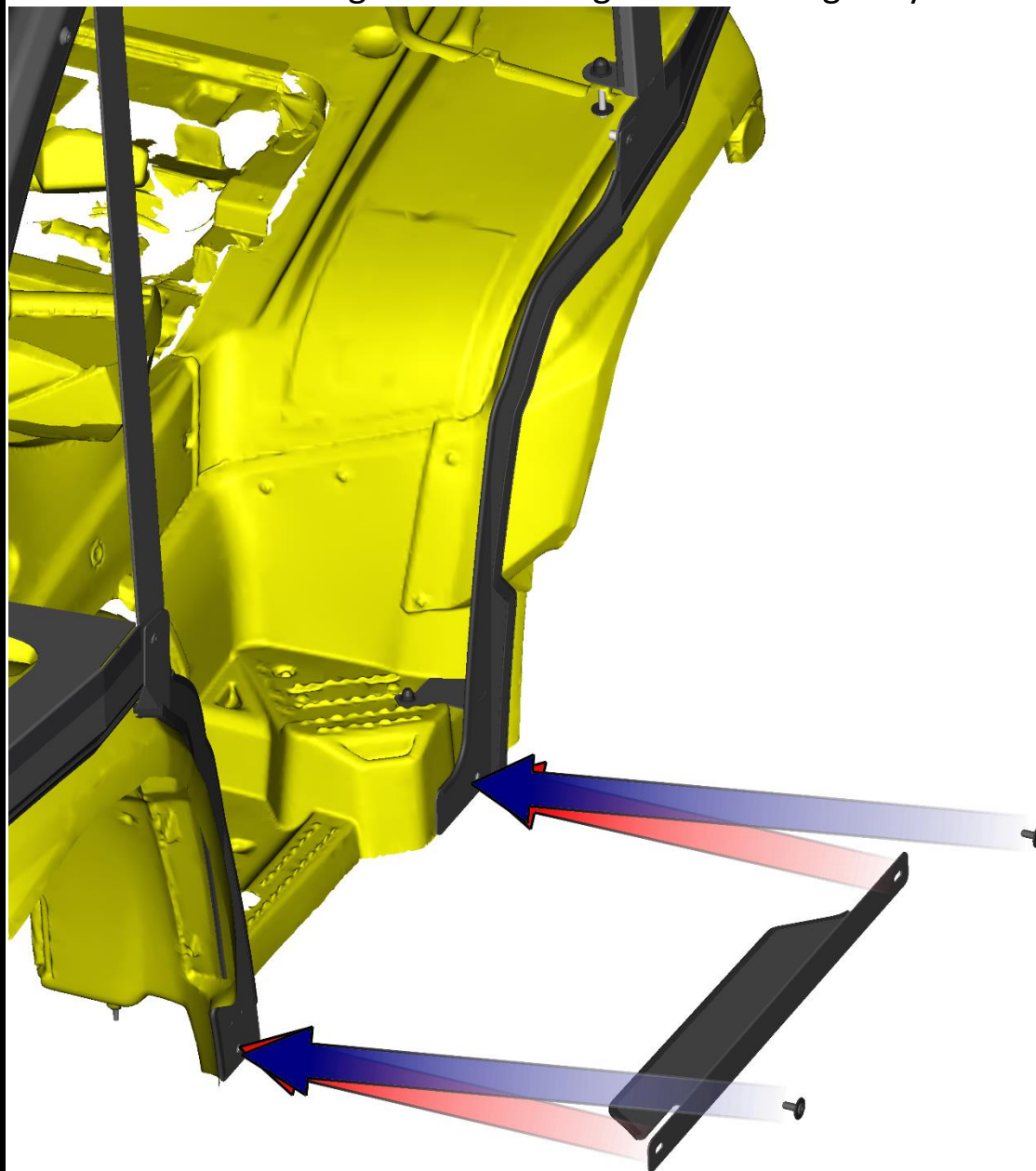


Adjust the rear door ledge to correct position and fix the ledge with the vehicle by original fixing point and by included screw, washers and tube.





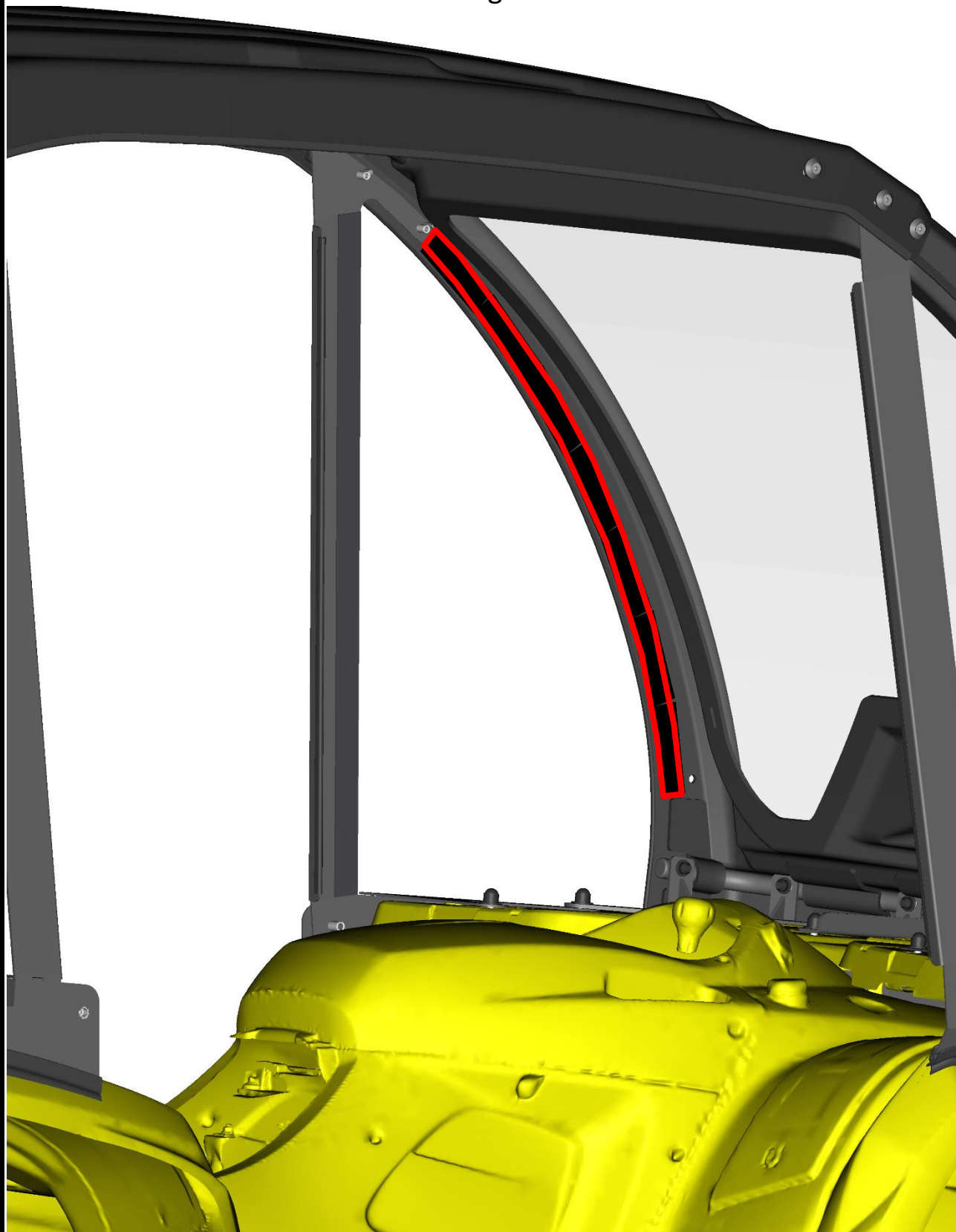
Place the bottom ledge onto the ledges and fix ledges by included screws.



35

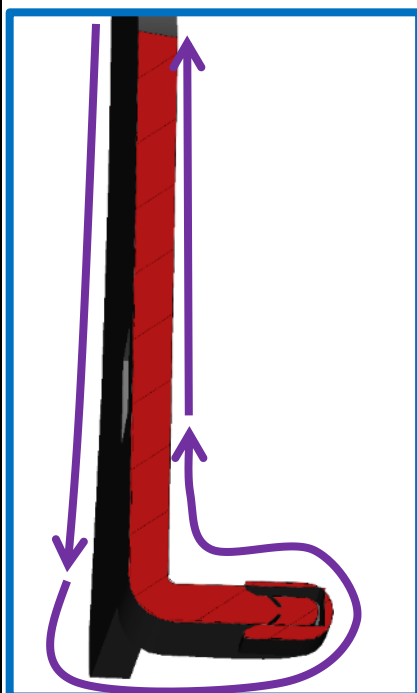
Repeat previous steps on second side.

Clean the inner plane of the front plastic panel (red mark) and stick with included self-glued velcro.



36

Place the left front PVC part onto the front panel velcro from inner side.  
Run the front PVC part to the front reinforcement to outer side.  
Turn the PVC part around the reinforcement (detail cut view) and press  
the end of the PVC with velcro onto the PVC part.



DETAIL CUT VIEW FROM UPPER SIDE  
FOR YOUR BETTER ORIENTATION

SEE NEXT PAGE

Repeat previous steps on the second side.

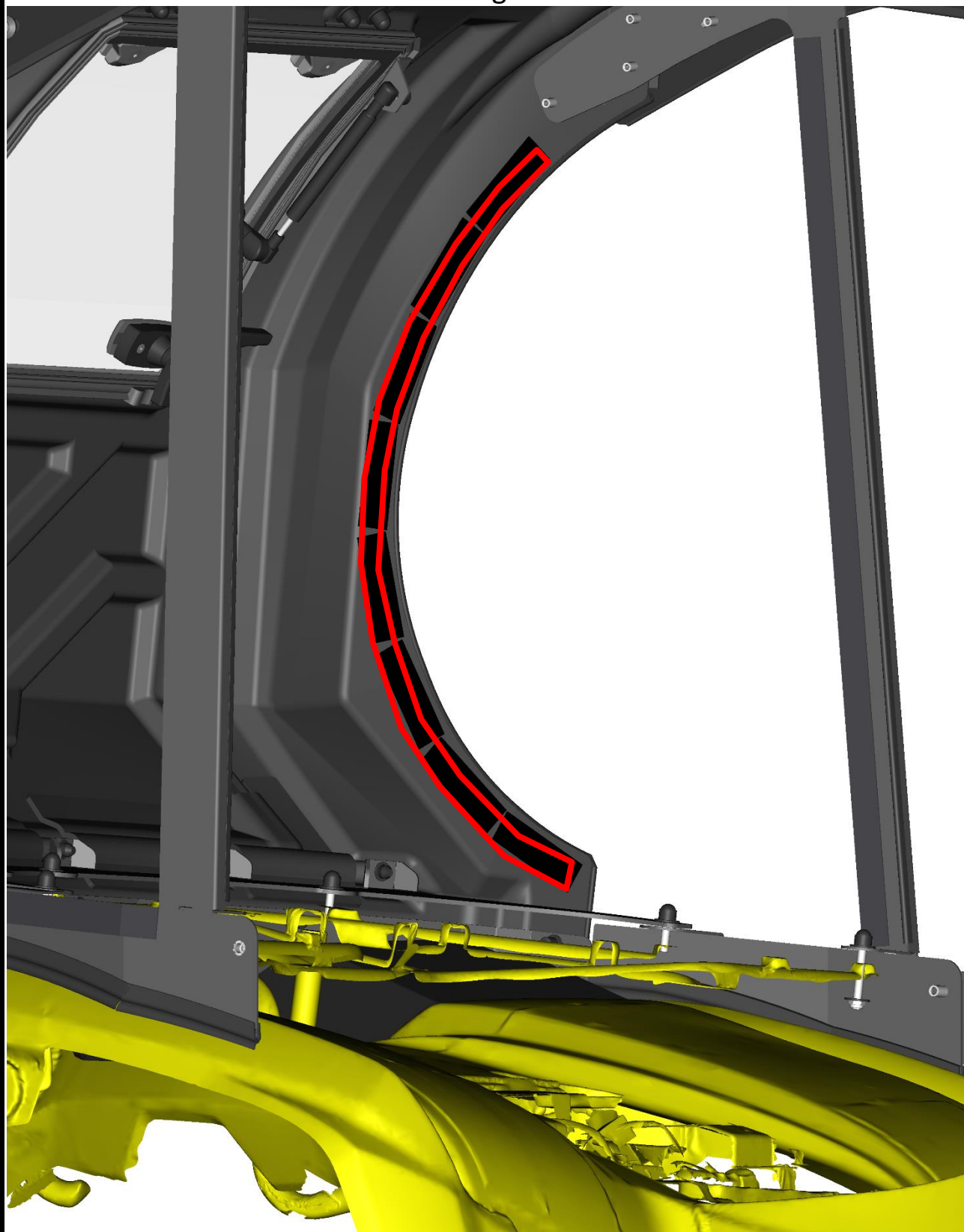


Detailed (inner side) photo of installed front PVC part on the right side of the vehicle.



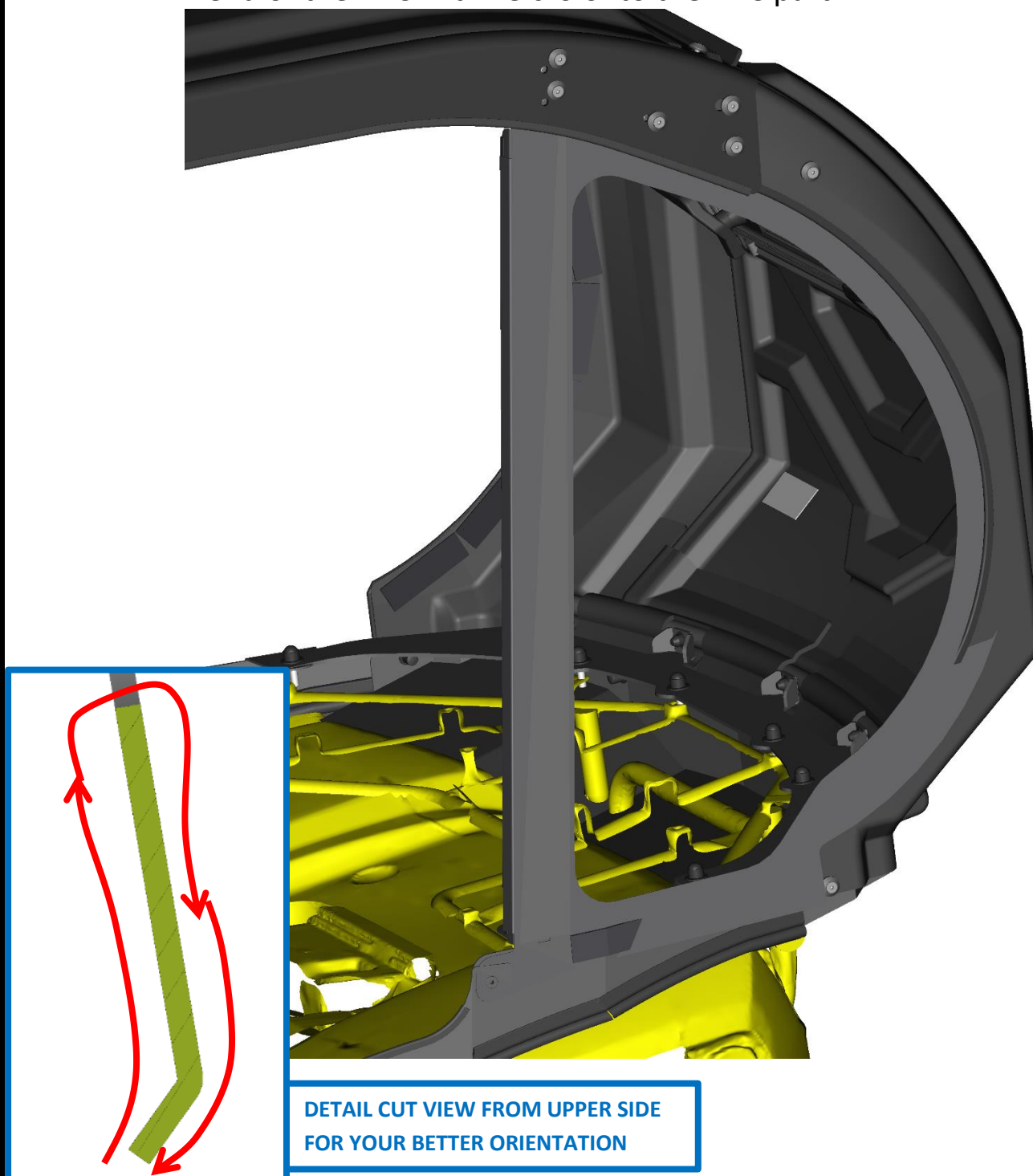
38

Clean the inner plane of the rear plastic panel (red mark) and stick with included self-glued velcro.



39

Place the left rear PVC part onto the panel panel velcro from inner side.  
Run the rear PVC part to the rear ledge to outer side.  
Turn the PVC part around the rear ledge (detail cut view) and press the  
end of the PVC with velcro onto the PVC part.



SEE NEXT PAGE

Repeat previous steps on the second side.

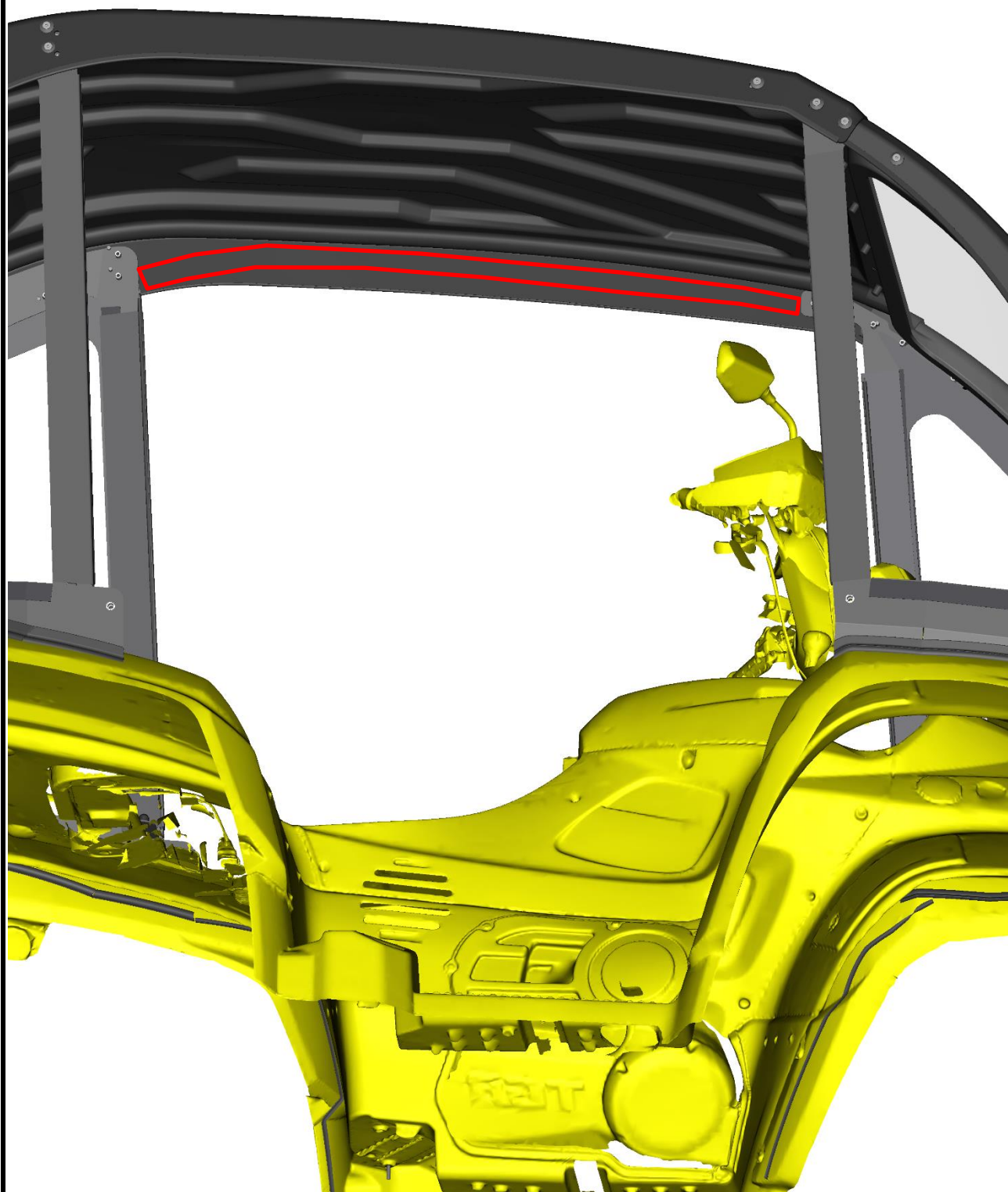


Detailed (inner side) photo of installed front PVC part on the right side of the vehicle.



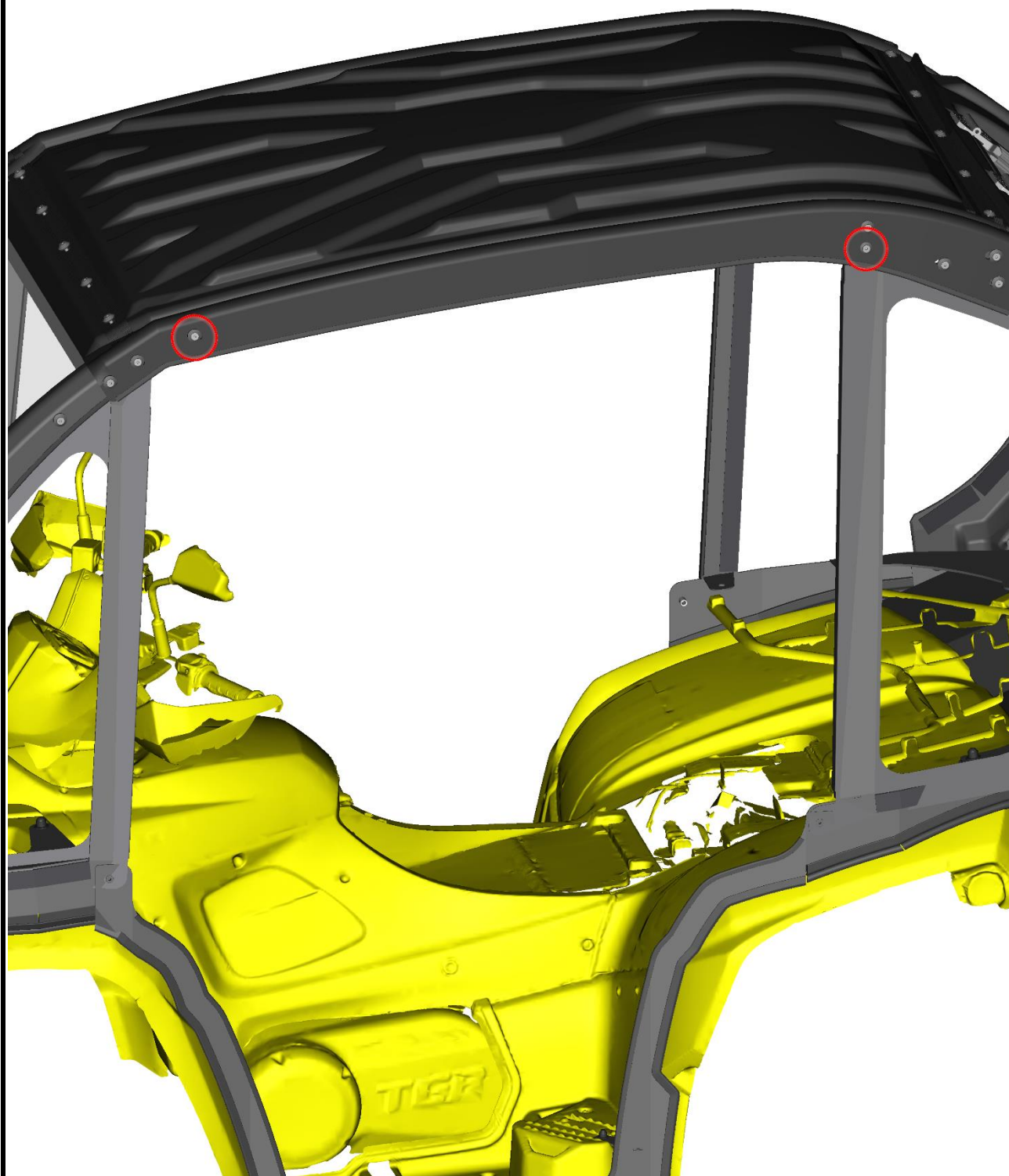
41

Clean the inner plane of the roof plastic panel (red mark) and stick with included self-glued velcro.



42

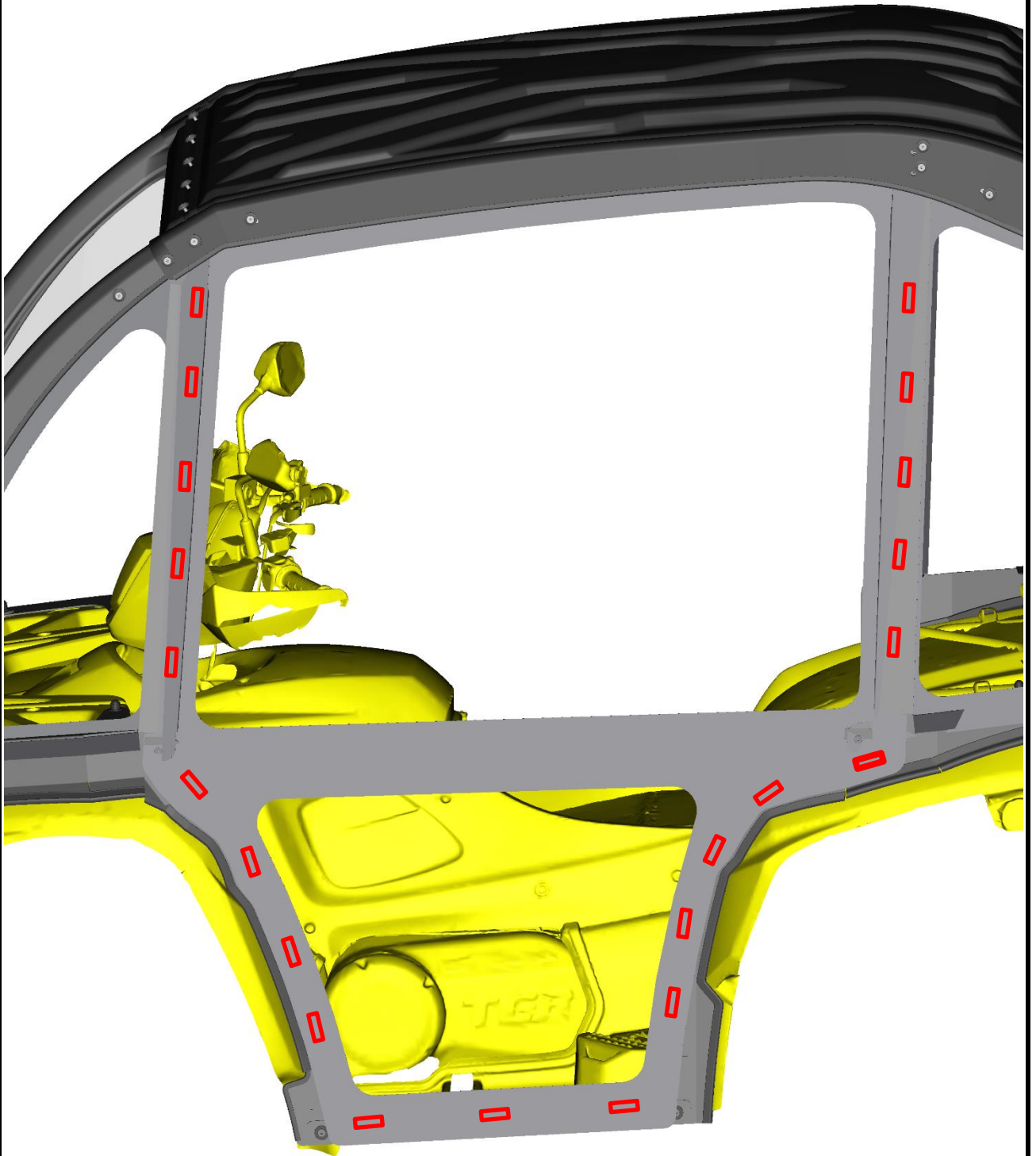
Loose the screws and washers from roof,  
save screws and washers for later usage.



43



Place the left door PVC onto the roof from inner side. Run the door to the outer side. In the PVC door parts are magnets (red marks). These magnets have to hold PVC door closed.



Repeat previous steps on the second side.

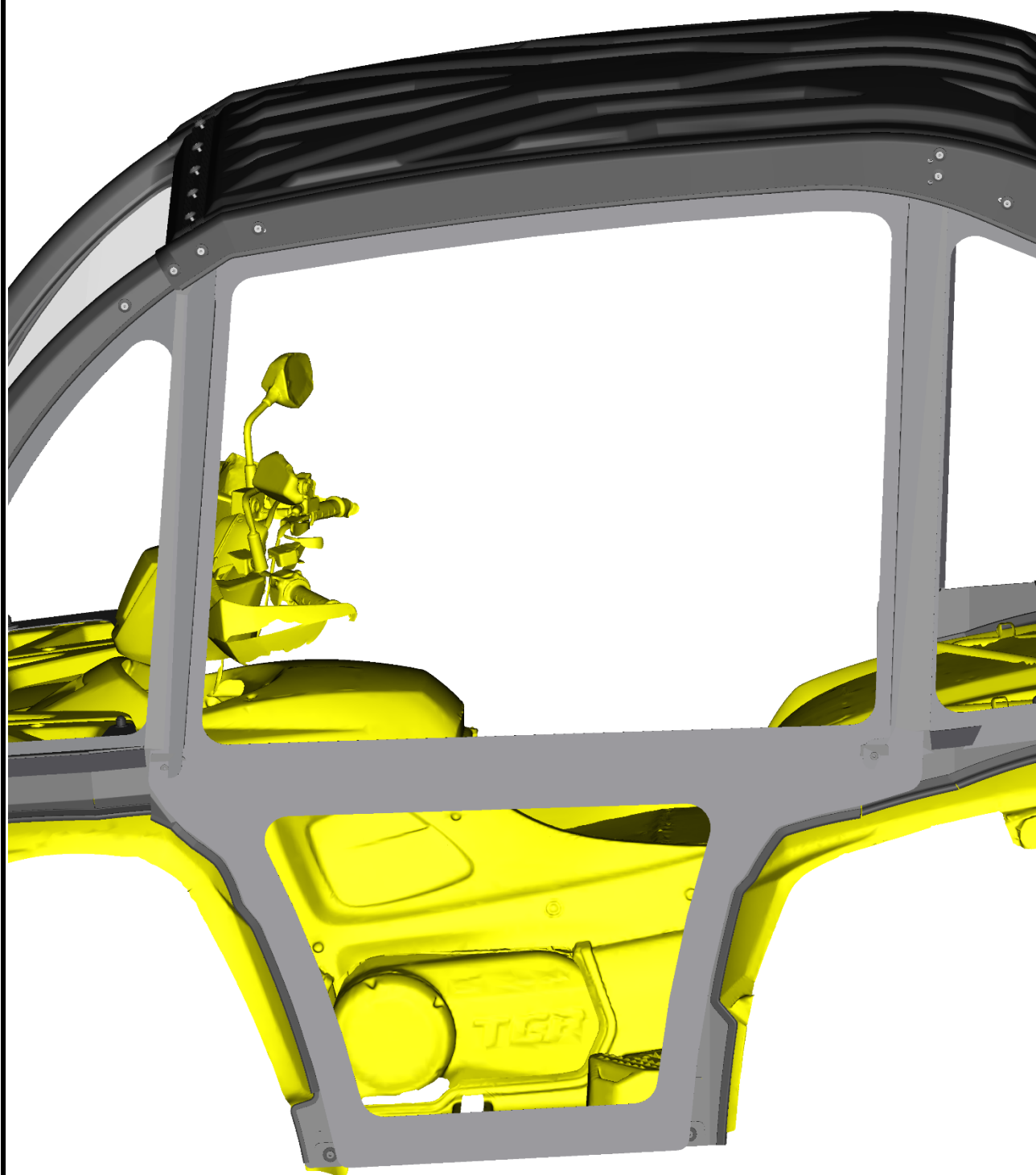


**SEE NEXT PAGE**

Outer view onto the **right** PVC door installed.



Adjust the PVC door to the best position. Fix the PVC door by screws and washers from page 43.



46

Repeat previous steps on the second side.

### **ELECTRO-INSTALLATION 2.**

Install the washer holder onto the front left reinforcement.

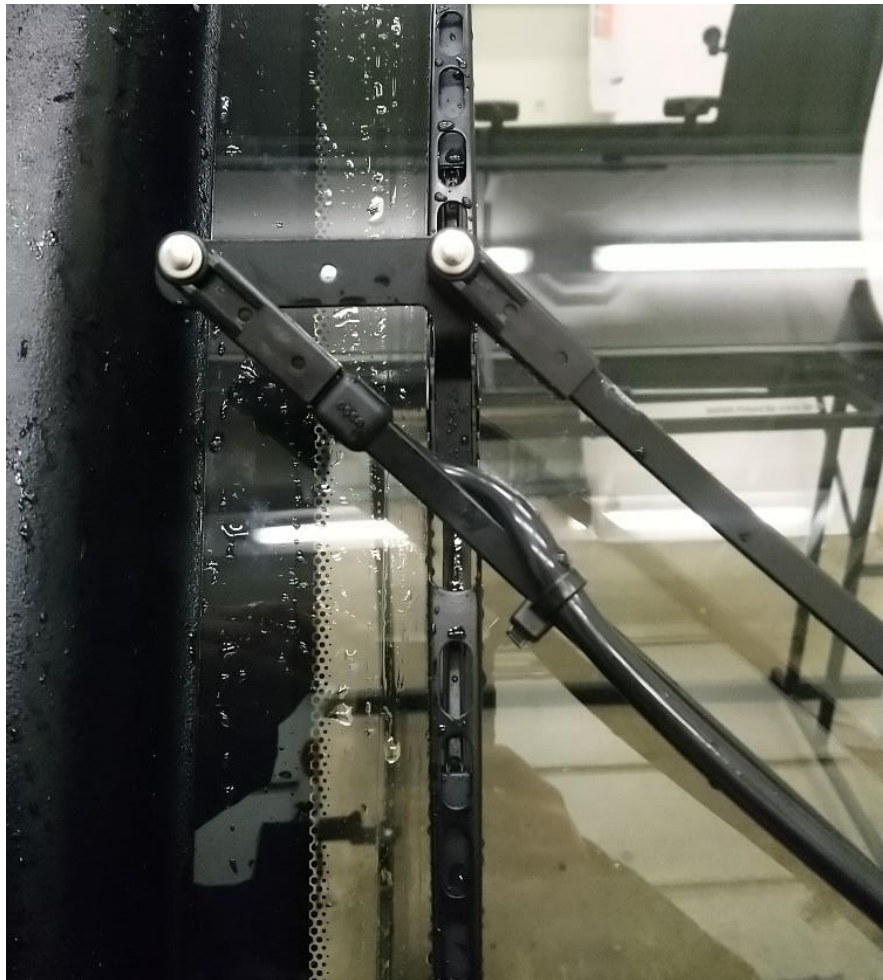


Mount washer tank holder, washer tank on holder and connect washer motor connector and washer hose.



47

You can see correct position  
of the washer jet and washer hose on photo below.



Connect the wiper/washer harness with the wiper. Connect the window defrost harness with the front window connector on both sides.



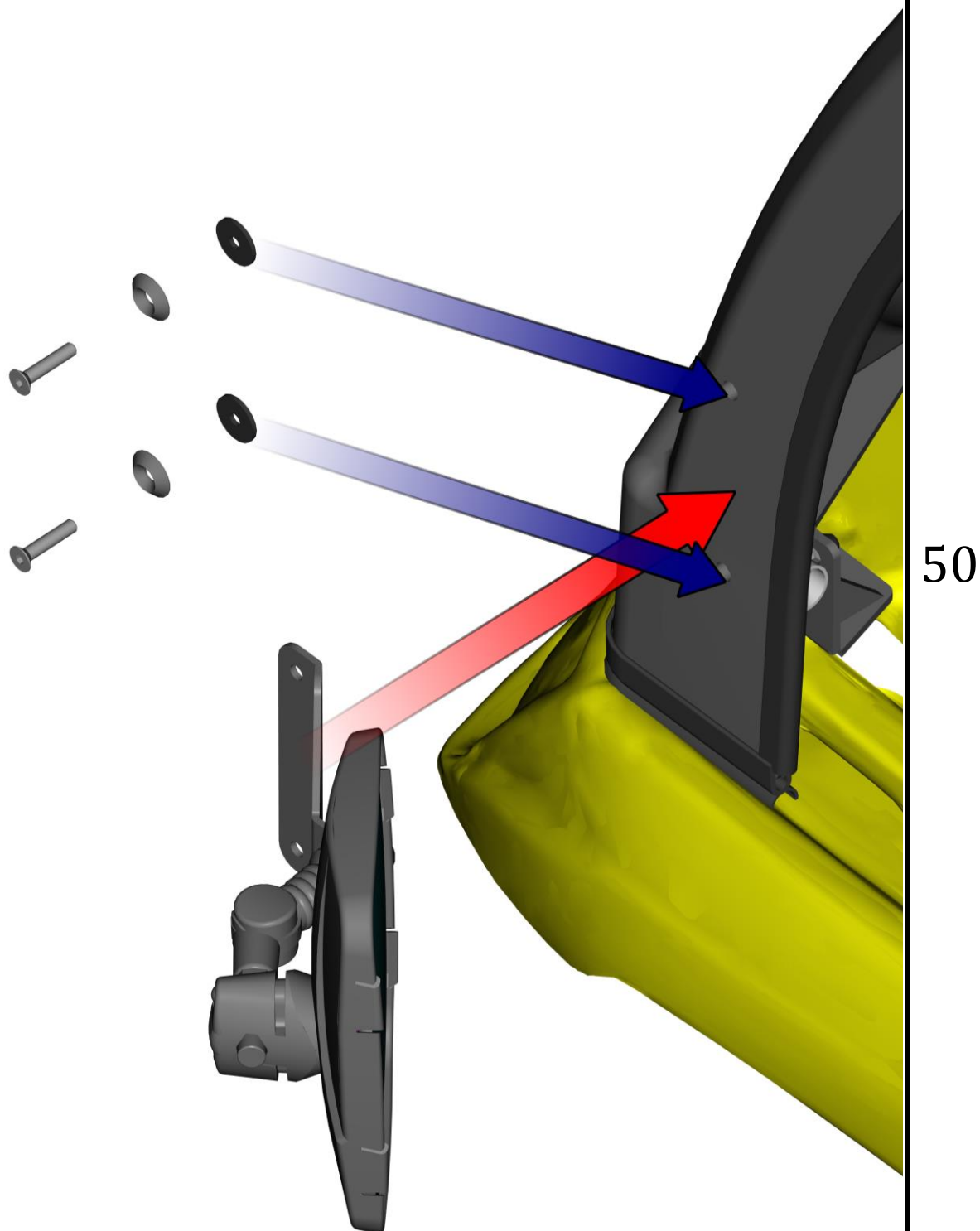
Connect the window defrost harness with the defrost switch and insert the switch into the holder.



Connect the washer hose to the washer tube.

**Fill the washer liquid into the washer tank before first usage.**

Place the side mirror with the holder to the front panel. Fix the holder with the panel by included screws and washers.



---

Repeat previous steps on the second side.  
Tighten all screws and nuts, which you installed.



52



## INSTRUCTIONS FOR USER

Wiper/washer system is controlled by switch on left handlebar (on picture below). Switch first position starts wiper, second position (with spring) starts washer.



53

SEE NEXT PAGES

Front window defrost system is controlled by **switch** near wiper motor.



**WHEN YOUR FRONT WINDOW IS DEFROSTED COMPLETELY,  
TURN OFF THE DEFROST SYSTEM MANUALLY,  
PRESS THE SWITCH TO THE “ZERO” POSITION.**

**It is strongly recommended to not use window defrost and vehicle  
winch simultaneously.**

54



Before every ride, check out side mirrors adjustment. Side mirrors has to be adjusted to focus on driver critical view angles.



55

# BOLT TORQUE

## BOLT TORQUE SPECIFICATIONS

### GENERAL TORQUE SPECIFICATION TABLE

Use the following torques when special torques are not given. These values apply to fasteners as received from suppliers, dry, or when lubricated with normal engine oil. They do not apply if special graphited or moly disulphide greases or other extreme pressure lubricants are used. This applies to both UNF and UNC threads. Remember to always use grade five or better when replacing bolts.

**IMPORTANT: On all PLATED GRADE 8 bolts, reduce torque 15% from listed bolt torque specification.**

SAE Grade No.		2				5				8*			
Bolt head identification mark as per grade. NOTE: Manufacturing Marks Will Vary													
		TORQUE		TORQUE		TORQUE		TORQUE		TORQUE		TORQUE	
Bolt Size		Pounds Feet		Newton-Meters		Pounds Feet		Newton-Meters		Pounds Feet		Newton-Meters	
Inches	Millimeters	Min.	Max.	Min.	Max.	Min.	Max.	Min.	Max.	Min.	Max.	Min.	Max.
1/4	6.35	5	6	7	8	9	11	12	15	12	15	16	20
5/16	7.94	10	12	14	16	17	20.5	23	28	24	29	33	39
3/8	9.53	20	23	27	31	35	42	48	57	45	54	61	73
7/16	11.11	30	35	41	47	54	64	73	87	70	84	95	114
1/2	12.70	45	52	61	70	80	96	109	130	110	132	149	179
9/16	14.29	65	75	88	102	110	132	149	179	160	192	217	260
5/8	15.88	95	105	129	142	150	180	203	244	220	264	298	358
3/4	19.05	150	185	203	251	270	324	366	439	380	456	515	618
7/8	22.23	160	200	217	271	400	480	542	651	600	720	814	976
1	25.40	250	300	339	406	580	696	787	944	900	1080	1220	1464
1-1/8	25.58	-	-	-	-	800	880	1085	1193	1280	1440	1736	1953
1-1/4	31.75	-	-	-	-	1120	1240	1519	1681	1820	2000	2468	2712
1-3/8	34.93	-	-	-	-	1460	1680	1980	2278	2380	2720	3227	3688
1-1/2	38.10	-	-	-	-	1940	2200	2631	2983	3160	3560	4285	4827

\*Thick Nuts must be used with Grade 8 bolts

### METRIC BOLT TORQUE SPECIFICATIONS

Size of Screw	Property Class	Course Thread			Fine Thread		
		Pitch (mm)	Pounds Feet	Newton-Meters	Pitch (mm)	Pounds Feet	Newton-Meters
M6	5.6	1.0	3.6-5.8	4.9-7.9	-	-	-
	8.8		5.8-9.4	7.9-12.7		-	-
	10.9		7.2-10	9.8-13.6		-	-
M8	5.6	1.25	7.2-14	9.8-19	1.0	12-17	16.3-23
	8.8		17-22	23-29.8		19-27	25.7-36.6
	10.9		20-26	27.1-35.2		22-31	29.8-42
M10	5.6	1.5	20-25	27.1-33.9	1.25	20-29	27.1-39.3
	8.8		34-40	46.1-54.2		35-47	47.4-63.7
	10.9		38-46	51.5-62.3		40-52	54.2-70.5
M12	5.6	1.75	28-34	37.9-46.1	1.25	31-41	42-55.6
	8.8		51-59	69.1-79.9		55-68	75.9-92.1
	10.9		57-66	77.2-89.4		62-75	84-101.6
M14	5.6	2.0	49-56	66.4-75.9	1.5	52-64	70.5-86.7
	8.8		81-93	109.8-126		90-106	122-143.6
	10.9		96-109	130.1-147.7		107-124	145-168
M16	5.6	2.0	67-77	90.8-104.3	1.5	69-83	93.6-112.5
	8.8		116-130	157.2-176.2		120-138	162.6-187
	10.9		129-145	174.8-196.5		140-158	189.7-214.1
M18	5.6	2.0	88-100	119.2-136	1.5	100-117	136-158.5
	8.8		150-168	203.3-227.6		177-199	239.8-269.6
	10.9		175-194	237.1-262.9		202-231	273.7-313
M20	5.6	2.5	108-130	146.3-176.2	1.5	132-150	178.9-203.3
	8.8		186-205	252-277.8		206-242	279.1-327.9
	10.9		213-249	288.6-337.4		246-289	333.3-391.6



## **Declaration of conformity**



**ASP Group s.r.o.**

Staroplzenecká 290  
326 00 Letkov (u Plzně)  
Česká republika / Czech Republic